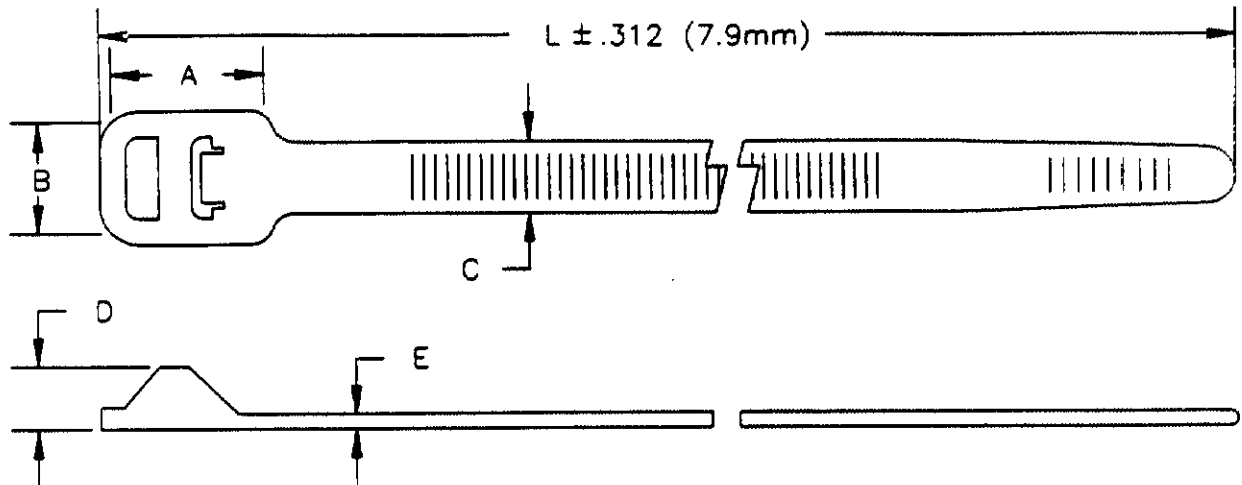


DWG NO. 608689

UNIT OF MEASURE	A	B	C	D	E	L	MAX. BUNDLE DIA.	MIN. TENSILE STRENGTH
INCHES	.882	.781	.492	.365	.074	20.33	5.0	250 lbs.
MM	22.4	19.8	12.5	9.3	1.9	516.4	127.0	113.4 kg.

THIS INFORMATION IS CONFIDENTIAL AND IS DISCLOSED TO YOU ON CONDITION THAT NO FURTHER DISCLOSURE IS MADE BY YOU TO OTHER THAN AMP PERSONNEL WITHOUT WRITTEN AUTHORIZATION FROM AMP INCORPORATED, HARRISBURG, PA.



NOTES:

1. MOISTURIZED 1 TO 2.5% WATER.
2. PACKAGED IN HEAT SEALED 3 MIL POLYBAG WITH LABEL PER DWG 404707.

CUSTOMER DRAWING UNPUBLISHED

APC ENGINEERING

JUL 13 1990

ISSUED BY *acu*

LOC D	5-608689-0		BLACK 25 LTY5B	
DIST 1	DWG SIZE	PART No.	DESCRIPTION	ITEM NO
QTY. REQ'D. PER ASSY.		REVISION OF EACH ASSY NO. (WHEN BLANK, USE DWG REVISION)		
PARTS LIST		MATERIAL NYLON 6/6		
		HEAT TREAT		FINISH
		DRAWN BY: AD-TEK/VL		DATE: 7/3/90
		CHECK BY: BJM 7/90		APPROVED BY: J. Hamed 7/5/90
		TOLERANCES UNLESS OTHERWISE SPECIFIED: 2 PL DEC ± 3 PL DEC ± .039 4 PL DEC ± ANGLES ± SURF TEXTURE: J		
		AMP INCORPORATED Harrisburg, Pa.		
		NAME: NON-RELEASABLE LASHING TIE 20 INCH		
✓	0	ECN 062890	7/90	7/90
P	F	LTR	REVISION RECORD	APP DATE
SCALE: A		DRAWING No.: 608689		SHEET: 1 OF 1
				REV: 0