

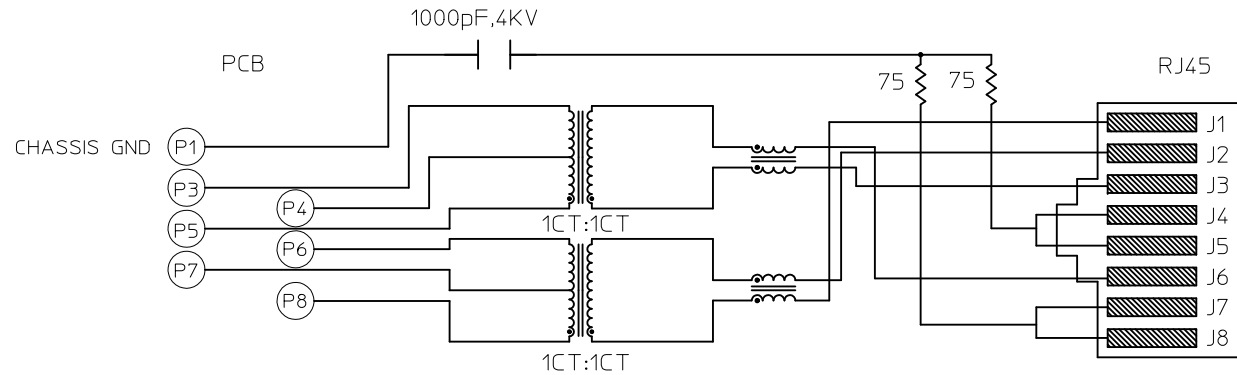
NOTES:

- MATERIAL:
 - METAL SHELL: BRASS
 - HOUSING: POLYAMIDE, GLASS FIBER FILLED, UL94-0,COLOR BLACK
 - INSERT: POLYAMIDE, GLASS FIBER FILLED, UL94-0,COLOR BLACK
 - TERMINAL: PHOSPHOR BRONZE
- PLATING:
 - TERMINAL:
 - CONTACT AREA: GOLD(Au), THICKNESS=50 MICROINCH/1.27 MICROMETER
 - SOLDER TAIL: TIN(Sn), THICKNESS=100 MICROINCH MINIMUM
 - UNDER PLATE: NICKEL (Ni).
 - METAL SHELL:
 - SOLDER TAIL: TIN(Sn), THICKNESS=100 MICROINCH MINIMUM
 - UNDER PLATE: NICKEL (Ni),(SOLDERING AVAILABLE)
 - SURFACE APPEARANCE: BRIGHT.
- RECOMMENDED PCB THICKNESS: 1.60±0.05
- PRODUCT SPECIFICATION REFER TO PS-48025-005
- TEST SUMMARY REFER TO TS-48025-011
- PACKAGING SPECIFICATION REFER TO PK-48025-001
- LEAD FREE AND RoHS COMPLIANT PRODUCT.

RELEASED EC NO: SH2012-0381 DRW:ML 109 2012/05/23 CHKD: APPR:RZHANG 2012/06/22	QUALITY SYMBOLS	GENERAL TOLERANCES (UNLESS SPECIFIED)	DIMENSION STYLE	SCALE	DESIGN UNITS	THIRD ANGLE PROJECTION
	▼=0 ▽=0	mm INCH 4 PLACES ± --- ± --- 3 PLACES ± --- ± --- 2 PLACES ± 0.25 ± --- 1 PLACE ± 0.25 ± --- 0 PLACE ± ±	MM ONLY	METRIC	LINDA 2006/08/08 ALLEN LIN 2006/08/10 ERICK LAN 2006/08/10	MODULAR JACK (4KV) WITH INTEGRATED MAGNETICS WITHOUT LED molex
	ANGULAR ± 3 ° DRAFT WHERE APPLICABLE MUST REMAIN WITHIN DIMENSIONS	DRAWN BY DATE CHECKED BY DATE APPROVED BY DATE	TITLE MATERIAL NO. DOCUMENT NO.	SHEET NO. 1 OF 2		
	SIZE A3	THIS DRAWING CONTAINS INFORMATION THAT IS PROPRIETARY TO MOLEX INCORPORATED AND SHOULD NOT BE USED WITHOUT WRITTEN PERMISSION				

ELECTRICAL SPECIFICATIONS:

- 1.0 TURNS RATIO:(P5-P4-P3):(J3-J6):1CT:1CT
(P8-P7-P6):(J1-J2):1CT:1CT
- 2.0 INDUCTANCE:(P8-P6):350uH MIN. @0.1V,100KHz,8mA DC Bias.
(P3-P5):350uH MIN. @0.1V,100KHz,8mA DC Bias.
- 3.0 LEAKAGE INDUCTANCE:P5-P3(WITH J6 AND J3 SHORT):0.3 MAX.@1MHz.
P8-P6(WITH J2 AND J1 SHORT):0.3 MAX.@1MHz.
- 4.0 INTERWINNING CAPACITANCE:(P5,P4,P3) TO (J6,J3):30pf MAX @1MHz.
(P8,P7,P6) TO (J2,J1):30pf MAX @1MHz.
- 5.0 DC RESISTANCE:(J6-J3)=(J2-J1):1.2 ohms Max.
- 6.0 RETURN LOSS:(P5-P3)=100 OHMS(P8-P6)=100 OHM REF.
1MHz TO 30MHz:18db min.:18dB MIN.
30MHz TO 80MHz:12db min.:12dB MIN.
- NOTE:100 OHMS CONNECTED TO (J2-J1) TO (J6-J3).
- 7.0 HI-POT:(J1,J2) TO (P8,P6):1500 VAC.
(J3,J6) TO (P5,P3):1500 VAC.
- 8.0 INSERTION LOSS:RS=RL=100 ohms:1.1 dB MAX.
100KHz TO 100MHz.
- 9.0 CROSS TALK:1-100 MHz:30 dB MIN.
- 10.0 COMMON TO COMMON MODE REJECTION:1MHz TO 100MHz:35 dB MIN.



MAGNETIC SCHEMATIC

RELEASED EC NO: SH2012-0381 DRW:RL109 2012/05/23 CHKD: APPR:RZHANG 2012/06/22	DESCRIPTION REV	QUALITY SYMBOLS	GENERAL TOLERANCES (UNLESS SPECIFIED)	DIMENSION STYLE	SCALE	DESIGN UNITS	THIRD ANGLE PROJECTION	
		▼=0 ▽=0	mm INCH 4 PLACES ± --- ± --- 3 PLACES ± --- ± --- 2 PLACES ± 0.25 ± --- 1 PLACE ± 0.25 ± --- 0 PLACE ± ±	MM ONLY	1:1	METRIC	DRAWN BY DATE LINDA 2006/08/08 CHECKED BY DATE ALLEN LIN 2006/08/10 APPROVED BY DATE ERICK LAN 2006/08/10	
		ANGULAR ± 3 °	DRAFT WHERE APPLICABLE MUST REMAIN WITHIN DIMENSIONS	MATERIAL NO.	TITLE	MODULAR JACK (4KV) WITH INTEGRATED MAGNETICS WITHOUT LED molex		
		SIZE A3	THIS DRAWING CONTAINS INFORMATION THAT IS PROPRIETARY TO MOLEX INCORPORATED AND SHOULD NOT BE USED WITHOUT WRITTEN PERMISSION	48025-3090	DOCUMENT NO.	SD-48025-011		
							SHEET NO. 2 OF 2	