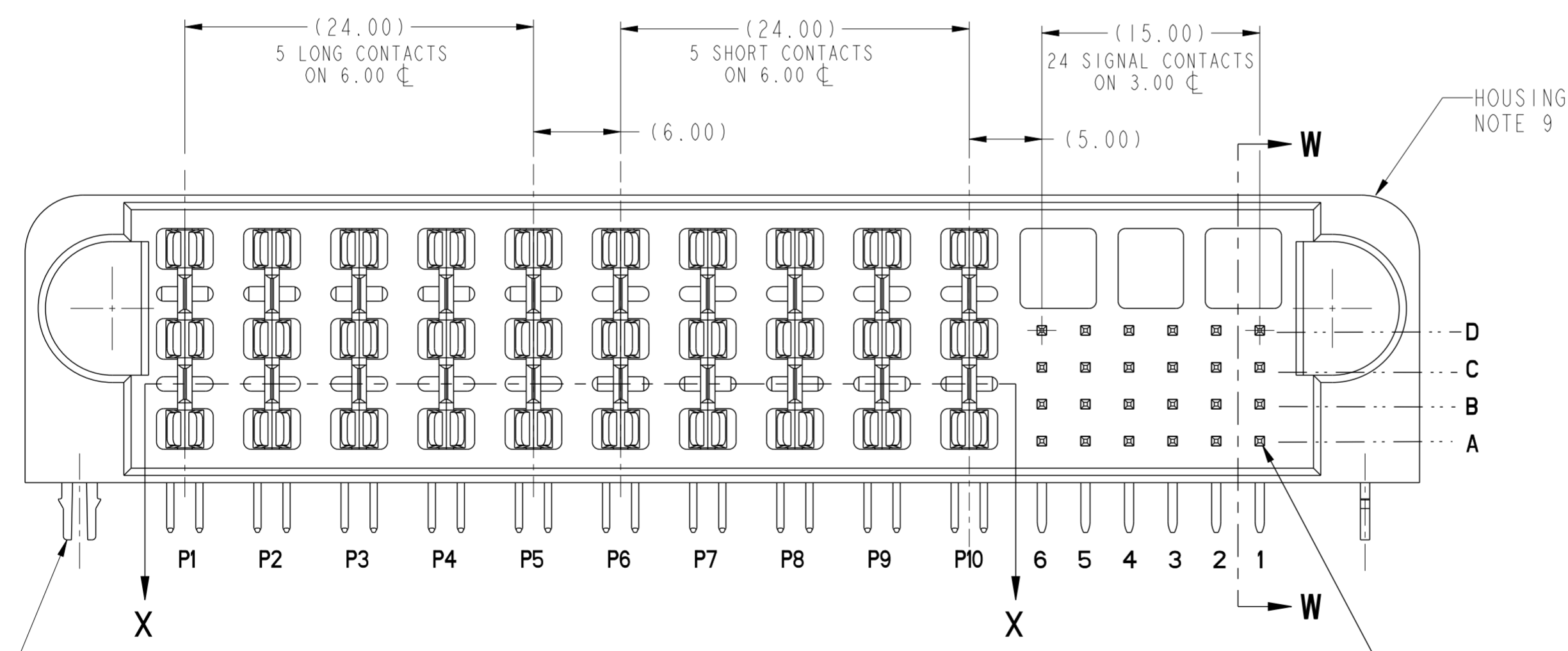
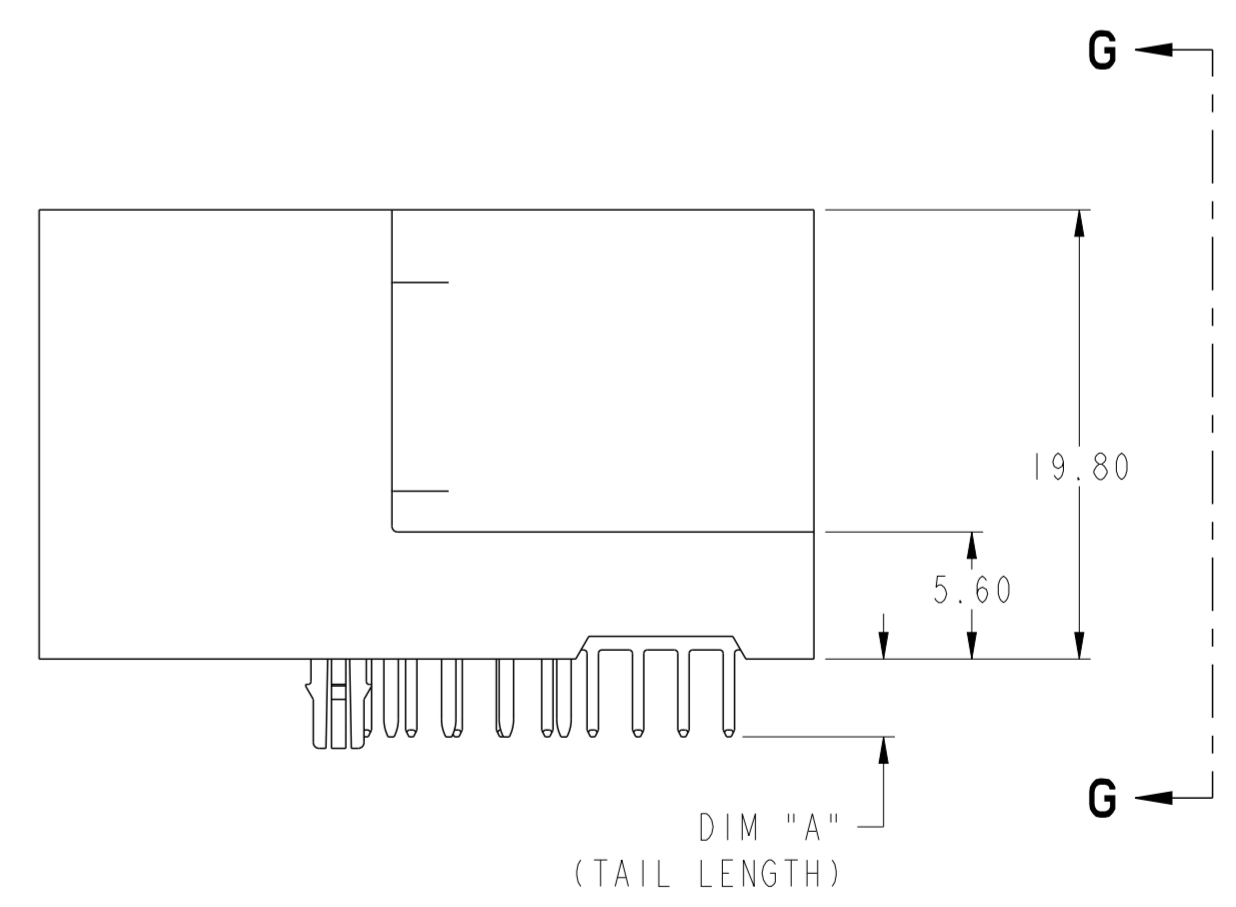


**SECTION X-X**  
SEE DETAIL C



RETENTION CLIPS  
OPTIONAL  
(SEE P/N TABLE)

**POSITION A1  
SHORT DETECT PIN**

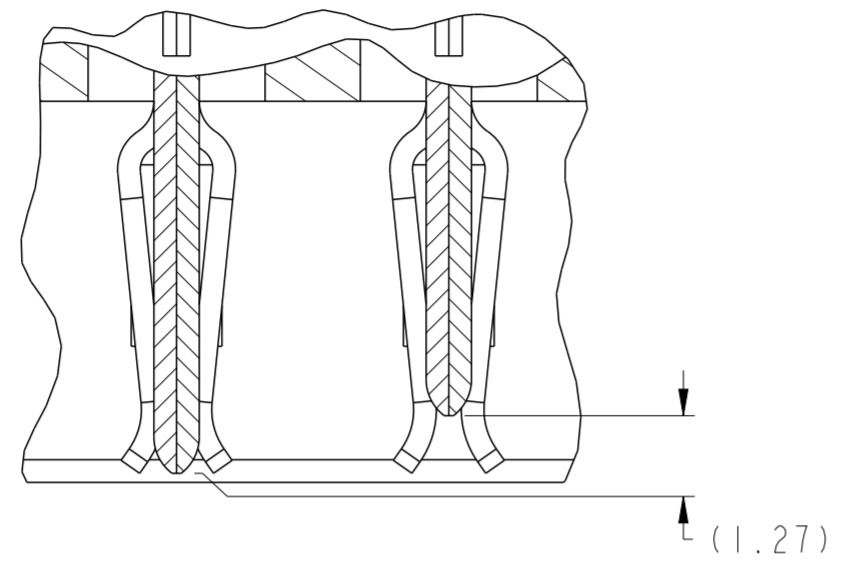


DIM "A"  
(TAIL LENGTH)

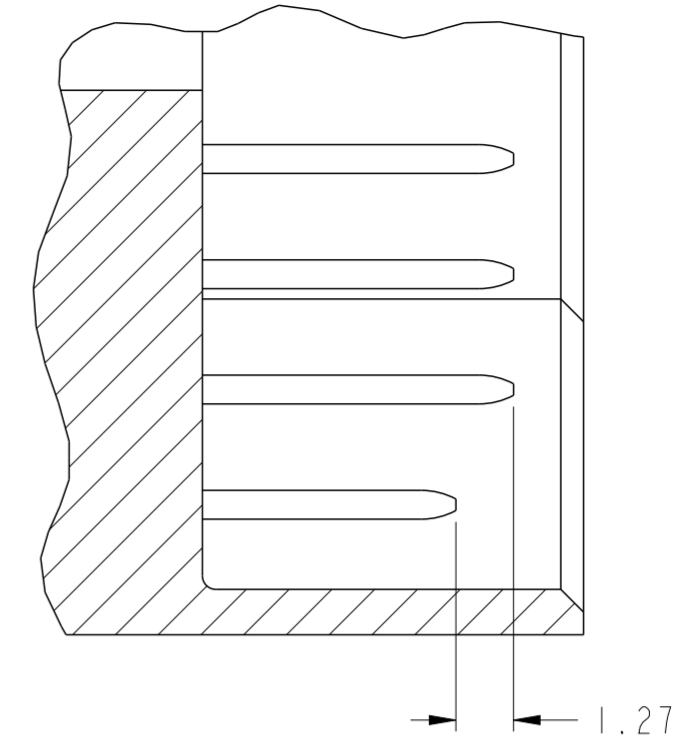
spec ref	-	dr	NotFound DuWa	2010/04/28	projection	MM	size	A2	scale	3:1
tolerance std	ASME Y14.5	eng	De-Ming Lu	2014/12/29			ecn no	ELX-DG-19849-1	rel level <b>Released</b>	
TOLERANCES UNLESS OTHERWISE SPECIFIED		chr	-	product family			HCI			
surface	ASME Y14.5	appr	Pei-Ming Zheng	2014/12/29			cat. no.	-		Product - Customer Drw
linear	0.X ±0.5 0.XX ±0.25 0.XXX ±0.10			title <b>R/A HEADER ASSY 10DC-24S</b> HCI POWER CONNECTOR	dwg no 10065864	rev <b>J</b>				
angular	0° ±2°	<a href="http://www.fci.com">www.fci.com</a>		PDS: Rev :J	STATUS:Released	Printed: Dec 30, 2014				



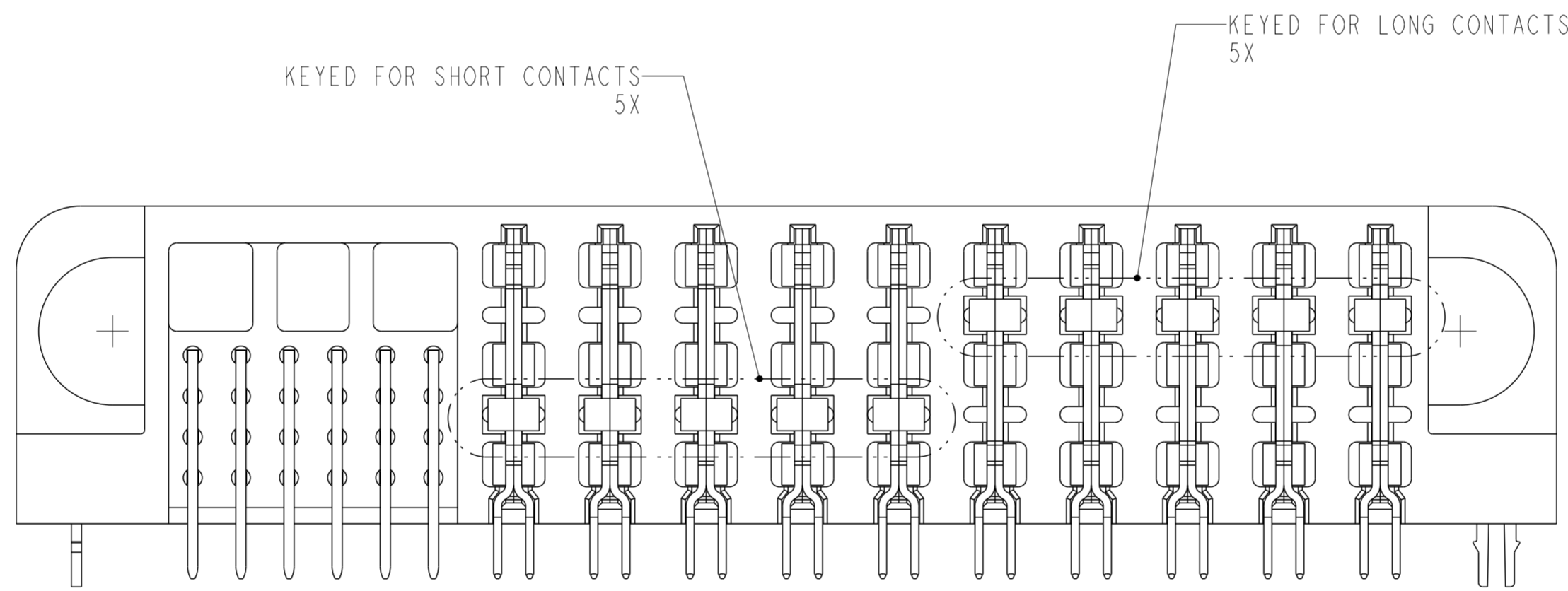
Copyright FCI.



**DETAIL C**  
**SCALE 6:1**  
POWER MATING  
SEQUENCE



**SECTION W-W**  
**SCALE 6:1**  
SIGNAL MATING  
SEQUENCE

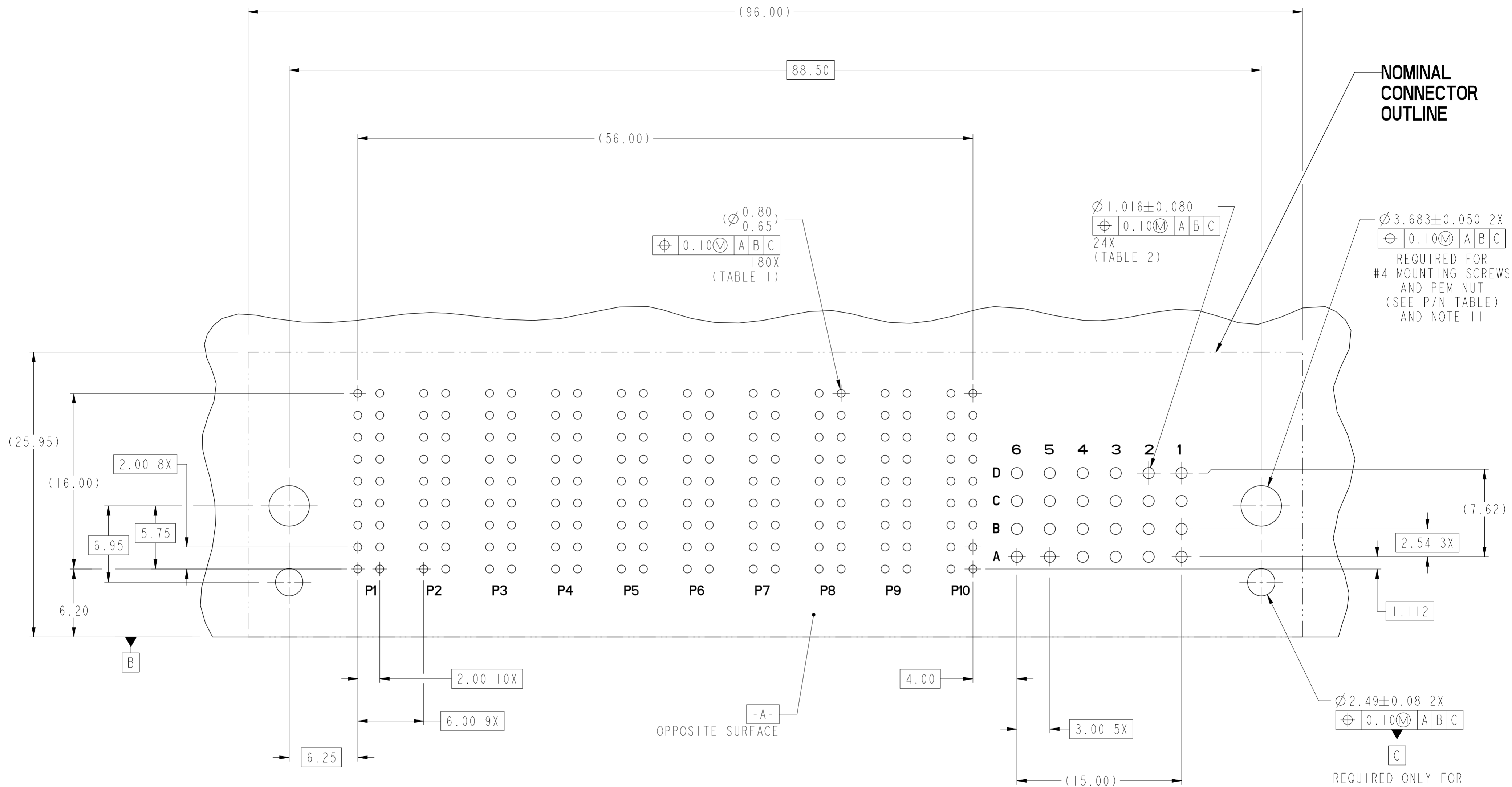


**VIEW G-G**



Copyright FCI.

dr	NotFound DuWa	2010/04/28	projection	MM	size	A2	scale	3:1
eng	De-Ming Lu	2014/12/29			ecn no	ELX-DG-19849-1		
chr	-	-			rel level	Released		
appr	Pei-Ming Zheng	2014/12/29	product family	HCI				
		title	R/A HEADER ASSY 10DC-24S		dwg no	10065864		rev
www.fci.com		cat. no.	-		Product - Customer Drw	sheet 2 of 5		J



**RECOMMENDED PCB LAYOUT  
COMPONENT SIDE  
NOTE 6**

dr	Not Found DuWa	2010/04/28	projection	MM	size	A2	scale	4:1
eng	De-Ming Lu	2014/12/29			ecn no	ELX-DG-19849-1	rel level	Released
chr	-	-						
appr	Pei-Ming Zheng	2014/12/29	product family	-	rel level	-	-	-
		<b>FCI</b>		<b>R/A HEADER ASSY 10DC-24S</b>		<b>10065864</b>		<b>J</b>
www.fci.com		cat. no.		Product - Customer Draw		sheet 3 of 5		rev

A

A

B

B

C

C

D

D

E

E

F

F

TOP LAYER DESCRIPTION

TABLE 1 (HCI POWER)  
PLATED THROUGH-HOLE REQUIREMENTS

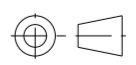
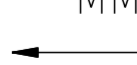

TOP LAYER DESCRIPTION	DRILLED HOLE DIAMETER	COPPER THICKNESS	TIN-LEAD THICKNESS	NICKEL THICKNESS	GOLD THICKNESS	TIN THICKNESS	SILVER THICKNESS	FINISHED HOLE DIAMETER
TIN-LEAD	0.81-0.86 (0.85 DRILL)	0.025 - 0.050	0.005 - 0.015	--	--	--	--	0.65 - 0.80
IMMERSION TIN	0.81-0.86 (0.85 DRILL)	0.025 - 0.050	--	--	--	0.9 - 1.5um	--	0.70 - 0.80
IMMERSION SILVER	0.81-0.86 (0.85 DRILL)	0.025 - 0.050	--	--	--	--	0.15 - 0.65um	0.70 - 0.80
COPPER (SEE NOTE 9)	0.81-0.86 (0.85 DRILL)	0.025 - 0.050	--	--	--	--	--	0.70 - 0.80
GOLD	0.81-0.86 (0.85 DRILL)	0.025 - 0.050	--	0.003 - 0.007	FLASH UP TO 0.0002	--	--	0.69 - 0.80

TOP LAYER DESCRIPTION

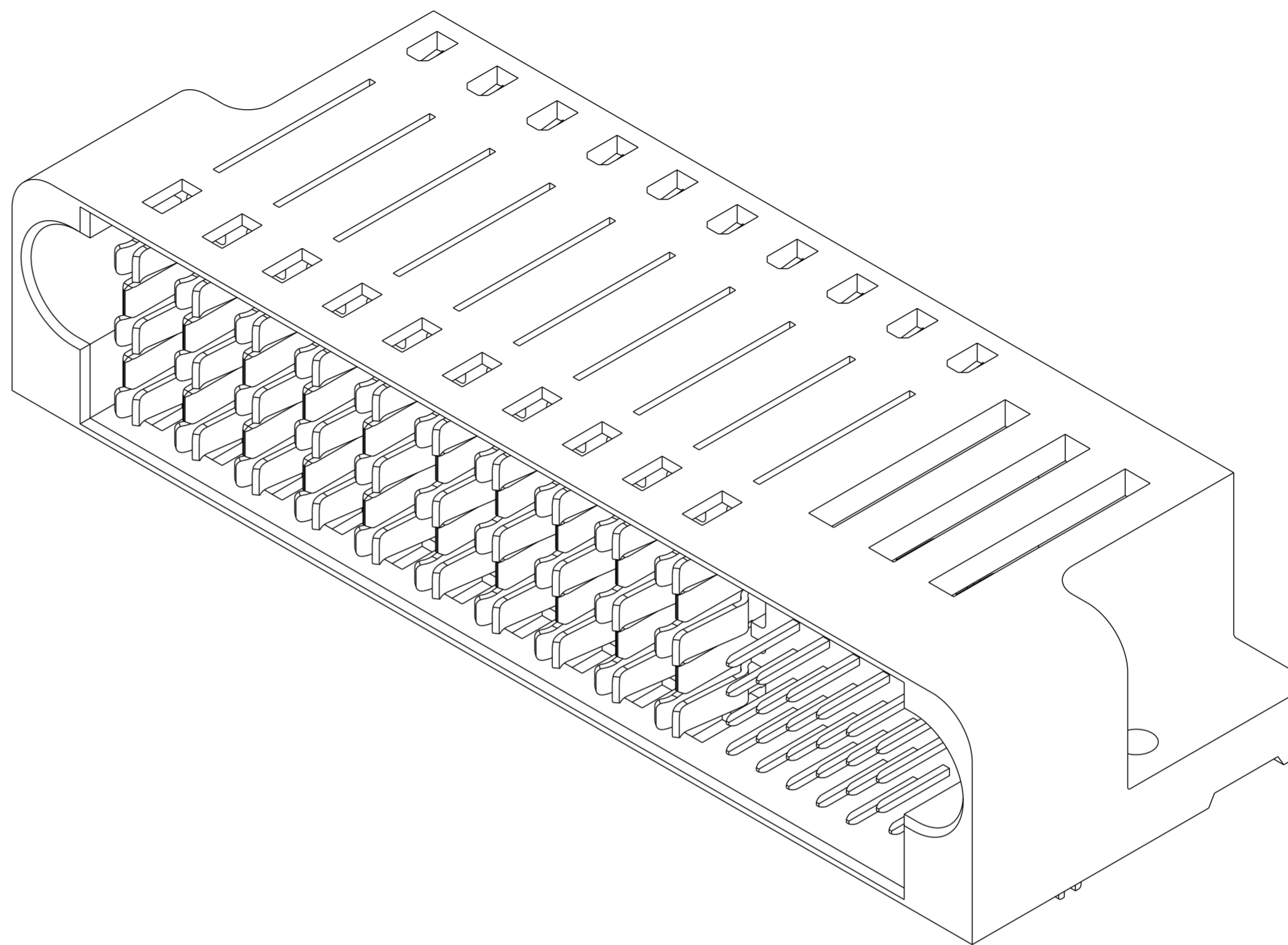
TABLE 2 (HPC SIGNALS)  
PLATED THROUGH-HOLE REQUIREMENTS

TOP LAYER DESCRIPTION	DRILLED HOLE DIAMETER	COPPER THICKNESS	TIN-LEAD THICKNESS	NICKEL THICKNESS	GOLD THICKNESS	TIN THICKNESS	SILVER THICKNESS	FINISHED HOLE DIAMETER
TIN-LEAD	1.125-1.175 ( $\varnothing .0453 \pm .0010$ )	0.025-0.050	0.005-0.015	--	--	--	--	0.94 - 1.10 ( $\varnothing .040 \pm .003$ )
IMMERSION TIN			--	--	--	--	--	
IMMERSION SILVER			--	--	--	--	--	
COPPER (SEE NOTE 9)			--	--	--	--	--	
GOLD			--	--	--	--	--	

Copyright FCI. FCI

dr	Not Found DuWa	2010/04/28	projection	MM	size	A2	scale	4:1	
eng	De-Ming Lu	2014/12/29			ecn no	ELX-DG-19849-1			
chr	-	-			rel level	Released			
appr	Pei-Ming Zheng	2014/12/29	product family	-	cat. no.	10065864			
		title R/A HEADER ASSY 10DC-24S HCI POWER CONNECTOR		dwg no 10065864	rev J		Product - Customer Drw		
www.fci.com		-		-		sheet 4 of 5		-	

PART NUMBER	RETENTION CLIPS	#4 SCREW	DIM A (TAIL LENGTH)	TAIL TYPE
10065864-001LF	NO	YES	3.43	SOLDER TAIL
10065864-002LF	NO	YES	4.70	SOLDER TAIL
10065864-003LF	YES	NO	3.43	SOLDER TAIL
10065864-004LF	YES	NO	4.70	SOLDER TAIL



NOTES:

1. CONNECTOR MATERIALS:  
HOUSING: HIGH TEMPERATURE THERMOPLASTIC, BLACK  
UL 94V-0 COMPLIANT  
CONTACTS: HIGH PERFORMANCE COPPER ALLOY
2. CONTACT FINISH(REF. GS-12-380 SECTION 5.2)
3. PRODUCT SPECIFICATION: GS-12-380.
4. APPLICATION SPECIFICATION: GS-20-070.
5. PRODUCT MARKING (PRODUCT NUMBER & DATE CODE) ON HOUSING IN AREA SHOWN.
6. MINIMUM NOMINAL PCB THICKNESS: 1.6mm
7. PACKAGING MEETS FCI SPECIFICATION GS-14-1073.
8. HOUSING COMPONENT WILL WITHSTAND EXPOSURE TO 260°C PEAK TEMPERATURE FOR 60 SECONDS IN A CONVECTION, INFRA-RED, OR VAPOR PHASE REFLOW OVEN.
9. COPPER PLATING THICKNESS IN CENTER OF VIA-HOLE CAN BE NO MORE THAN 0.003 LESS THAN OTHER AREAS.
10. ALL HOLE SIZES ARE FINISHED HOLE SIZES.
11. MOUNTING HOLES ARE UNPLATED.

dr	NotFound DuWa	2010/04/28	projection	MM	size	A2	scale	3:1
eng	De-Ming Lu	2014/12/29			ecn no	ELX-DG-19849-1		
chr	-	-			rel level	Released		
appr	Pei-Ming Zheng	2014/12/29	product family	HCI	cat. no.	10065864		
		title R/A HEADER ASSY 10DC-24S HCI POWER CONNECTOR		dwg no 10065864	rev J			
www.fci.com		Product - Customer Drw		sheet 5 of 5				