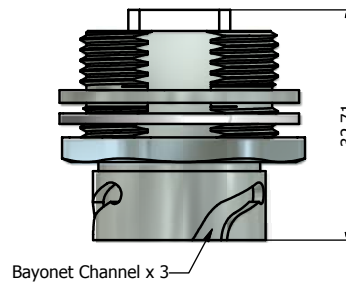
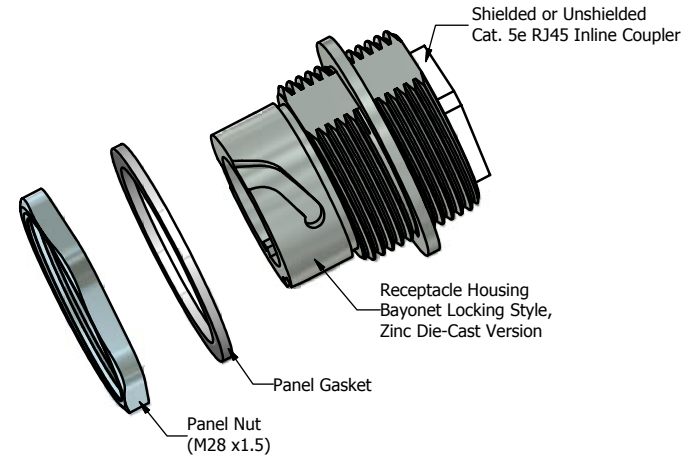


Recommended Single-D (d)
Panel Cutout



Bayonet Channel x 3

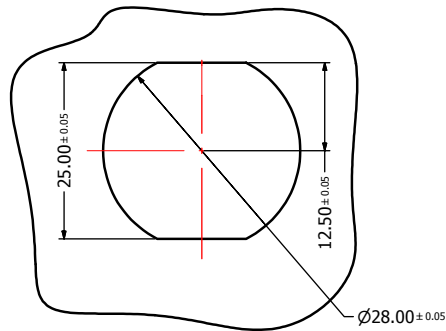


Shielded or Unshielded
Cat. 5e RJ45 Inline Coupler

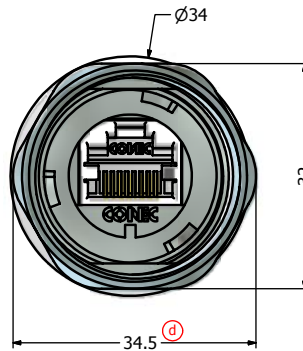
Receptacle Housing
Bayonet Locking Style,
Zinc Die-Cast Version

Panel Gasket

Panel Nut
(M28 x1.5)



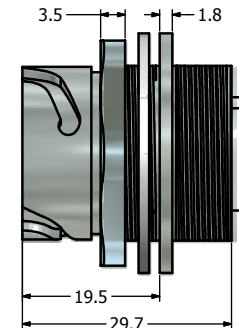
Recommended Double-D (c)
Panel Cutout



Ø34

32

34.5 (d)

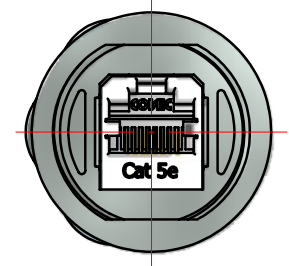


3.5

1.8

19.5

29.7



Cat 5e

Notes:

- Electrical Specifications:
 - Meets EIA/TIA-568-B.2 Cat.5e Specification
 - Contact Resistance: 20mOhm max.
 - Insulation Resistance: 500MOhm min. @ 100 VDC
 - Current Rating: 1.2A max. at 25° C
 - Working Voltage: 100 VDC
 - DWV: 1000 VDC/60s Contact to Contact, 1500 VDC/60s Contact to Metal Shell
 - Operating Temperature: -40° C to +85° C
- Material and Finish:
 - Receptacle Housing: Zinc Die-Cast, Finish: Nickel Plated
 - Panel Nut: Brass, Finish: Nickel Plated
 - Panel Gasket: Silicon, Color: White
 - RJ45 Jack Metal Shell: Copper Alloy, Nickel Plated
 - RJ45 Jack Plastic Housing: Glass filled PBT UL94 V-0, Color: Black
 - RJ45 Jack Contacts: Phosphor Bronze, Finish: 50u" Gold min. over Nickel
- Connector can be front or rear mounted to a maximum panel thickness of 3.2mm.
- IP67 rated when covered or fully mated with the appropriate mating connector
- RoHS compliant

Directive 2002/95/EC RoHS Compliant

(b) (d)	Description	Part Number
	Nickel Plated Zinc Die-Cast with Shielded Cat5e Coupler	17-101754
	Nickel Plated Zinc Die-Cast with Unshielded Cat5e RJ45 Coupler	17-101764

THIS DRAWING MAY NOT BE COPIED, OR REPRODUCED IN ANY WAY AND MAY NOT BE PASSED ON TO A THIRD PARTY WITHOUT WRITTEN PERMISSION. OWNERSHIP AND COPYRIGHT OF CONEC CORPORATION. DOT NOT ALTER CAD DRAWING BY HAND	Customer:		Tolerance Unless otherwise specified			Scale: NTS	Dim. in mm	
	Name	Title	Approval Date	0 PLC ±0.50 1 PLC ±0.38 2 PLC ±0.25 3 PLC ±0.10 ANGLES ±.3		Autodesk Inventor	Material: See Notes	
	d	3 x d	Mar/02/2011	Vincent ke	2009	Name	Title: Jack Receptacle Assembly Kit with Cat. 5e RJ45 Inline Coupler Nickel Plated Zinc Die-Cast Version	
	c	1 x c	Jan/28/2011	Vincent ke	Draw. Dec. 07	Vincent Ke		
b	3 x b	Dec/16/2010	Vincent ke	Appd. Dec. 07	J. Chaudry	Drawing No.: 17K1A144 Part No.: SEE ABOVE TABLE	DIN A3	
a	original						Sheet 1/1	
Rev.	Changes	Date	Name					