

RoHS

SCALE DRAWING 1:1

LFB180100-000

UNCONTROLLED DOCUMENT

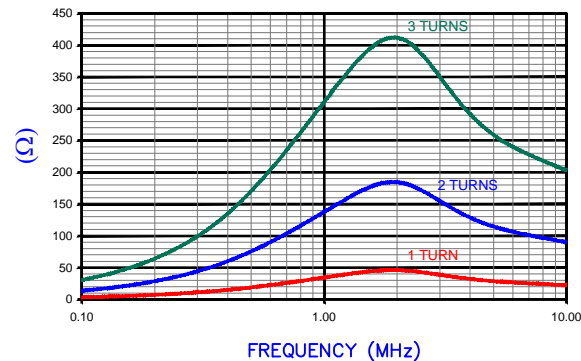
IMPEDANCE (Z) NET^{SEE NOTE 1}

FREQUENCY	500 KHz	1 MHz	5 MHz
NOMINAL (REF.) 1 TURN	18 Ω	31 Ω	29 Ω
MINIMUM (SPEC.) 1 TURN	- Ω	23 Ω	- Ω
NOMINAL (REF.) 2 TURNS	75 Ω	138 Ω	115 Ω
NOMINAL (REF.) 3 TURNS	170 Ω	310 Ω	260 Ω

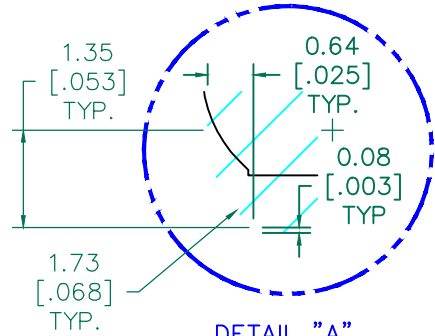
SEE DETAIL "A"

SECTION A-A

Z vs. FREQUENCY
1 TURN, 2, AND 3 TURNS
(REF. ONLY)



AGILENT E4991A RF Impedance/Material Analyzer
HP 16092A Test Fixture REF 2491



DETAIL "A"
CHAMFER
SCALE=10:1

TEST CRITERIA

METER HP4396A OR EQUIVALENT
FIXTURE HP16092A OR EQUIVALENT

NOTES: UNLESS OTHERWISE SPECIFIED

- NET IMPEDANCE IS IMPEDANCE OF THE FERRITE CORE ONLY. ALL IMPEDANCE CONTRIBUTION FROM TEST WIRE AND FIXTURES HAS BEEN REMOVED.
- COSMETIC SPECIFICATION REFER TO WI-QA-038.

FERRITE CORE DIMENSIONS (SPEC):

A	18.10 [.713]	±	0.38 [.015]
B	10.00 [.394]	±	0.38 [.015]
C	10.00 [.394]	±	0.25 [.010]

WEIGHT/1000 8.58 kgs [18.92 Lbs]

DIMENSIONS ARE IN mm [INCHES].				This print is the property of Laird Tech. and is loaned in confidence subject to return upon request and with the understanding that no copies shall be made without the written consent of Laird Tech. All rights to design or invention are reserved.				
REV	DESCRIPTION	DATE	INT					
F	UPDATE THE LOGO	06/19/15	QIU	PROJECT/PART NUMBER:		REV	PART TYPE:	DRAWN BY:
E	UPDATE PART WEIGHT	09/03/08	TMB	LFB180100-000		F	FERRITE CORE	TMB
D	UPDATE COMPANY LOGO	07/13/08	TMB	DATE:	09/27/02	SCALE:	2.5:1	MATERIAL:
C	REMOVE MIN SPEC @ 500 KHz	02/10/06	TMB	CAD #	LFB180100-000-F	TOOL #	B0709	LF
B	ADJUST TOLERANCES ADD TEST REF #	12/27/04	JRK					
A	ORIGINAL DRAFT	09/27/02	TMB					
REV	DESCRIPTION	DATE	INT					