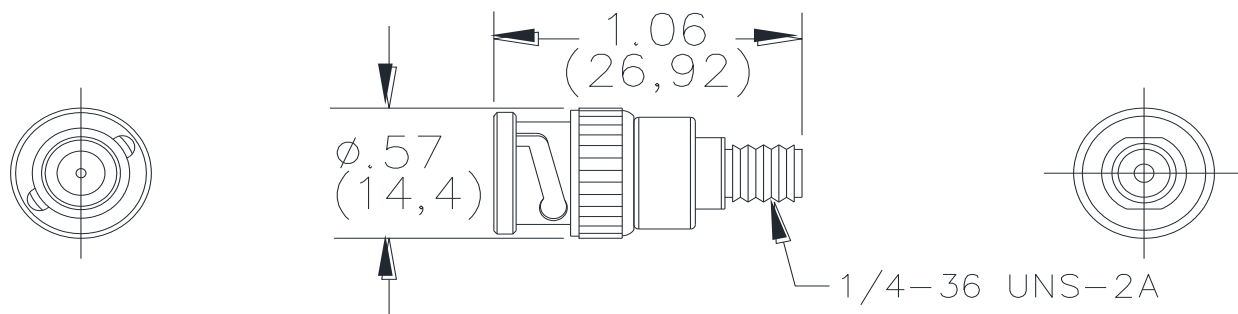


Model 4289
Adapter, SMA (Female) to BNC (Male)**Features**

- Converts instruments with BNC inputs to SMA.
- Adapter and contacts are gold-plated for low contact resistance.

Materials

Body:	Gold-Plated Beryllium Copper
BNC Contact:	Gold-Plated Brass
SMA Contact:	Gold-Plated Beryllium Copper
Dielectric:	PTFE
Finish:	Gold-Plated per MIL-G-45204, Type II, Class 2

Ratings

Voltage: For *CE compliance* and for personal safety, do not hold in hand when voltages exceed 30 Vrms/60 Vdc.

Maximum voltage for *hands free use* in controlled testing environments: 335 Vrms Max.

Do not use on circuits where transient stresses can exceed the rated voltage.

Operating Temperature: -65°C (-85°F) to +165°C (+329°F)

Nominal Impedance: 50 Ohm

Frequency Range: 0 – 12.4 GHz

Ordering Information

Model: 4289
SMA (F)/BNC (M)

USA: Sales: 800-490-2361
Technical Support: technicalsupport@pomonatest.com
Fax: 425-446-5844

Europe: 31-(0) 40 2675 150 **International:** 425-446-5500

Where to Buy: www.pomonaelectronics.com

All dimensions are in inches. Tolerances (except noted): .xx = ±.02" (.51 mm), .xxx = ±.005" (.127 mm). All specifications are to the latest revisions. Specifications are subject to change without notice. Registered trademarks are the property of their respective companies.