

4

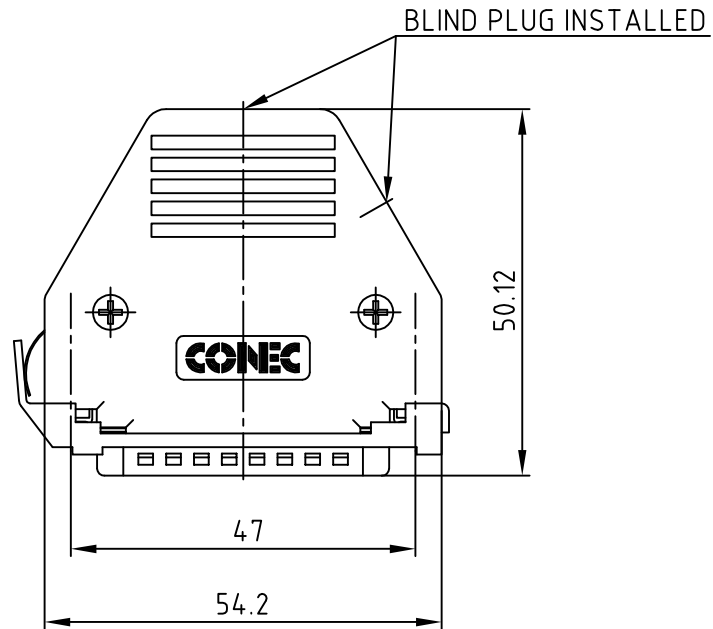
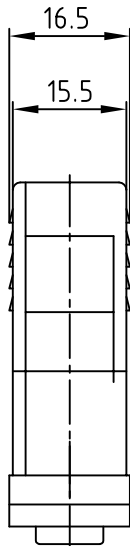
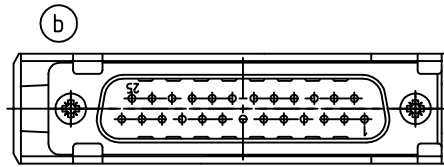
3

2

1

used for:

D-SUB



## NOTES:

1 x PLASTIC HOOD: 165X04559A

1 x CONNECTOR: 301A10059X

## MATERIAL:

HOOD: ABS UL 94 V-0; BLACK

CONNECTOR: SEE DRAWING NO. 16K1A306A

SPRING: STEEL; TIN PLATED

SREWS: STEEL; NICKEL PLATED

SLIDE LOCK: STEEL; NICKEL PLATED

BLIND PLUG: ABS UL 94 V-0; BLACK

APPROVAL # FREIGABE # DEBLOCAGE # AUTORIZACION	
CUSTOMER APPROVAL DATE:	
NAME:	TITLE:
COMPANY NAME:	
APPROVAL # FREIGABE # DEBLOCAGE # AUTORIZACION	

THIS DRAWING MAY NOT BE COPIED OR REPRODUCED IN ANY WAY, AND MAY NOT BE PASSED ON TO A THIRD PARTY WITHOUT WRITTEN PERMISSION.  
OWNERSHIP AND COPYRIGHT OF CONEC GmbH  
DO NOT ALTER CAD DRAWING BY HAND

				tolerance		dim. in mm	
				2003	date	name	
				drawn	21.04.	Schmidt	
				appd.	21.04.	Kühle	
				norm			
				d-old			
1x b	Ä3092	25.08.2008	Sonne				
a	Origin						
rev.	description	date	name				

scale: 1:1	
material: SEE NOTES	
title: PLASTIC HOOD WITH D-SUB PLUG 25pos. SOLDER CUP with slide lock	
dwg no: AutoCAD 2004	DIN-A
16K1A1382	
sh: 1/1	
part no: 301X00759A	

4

3

2

1