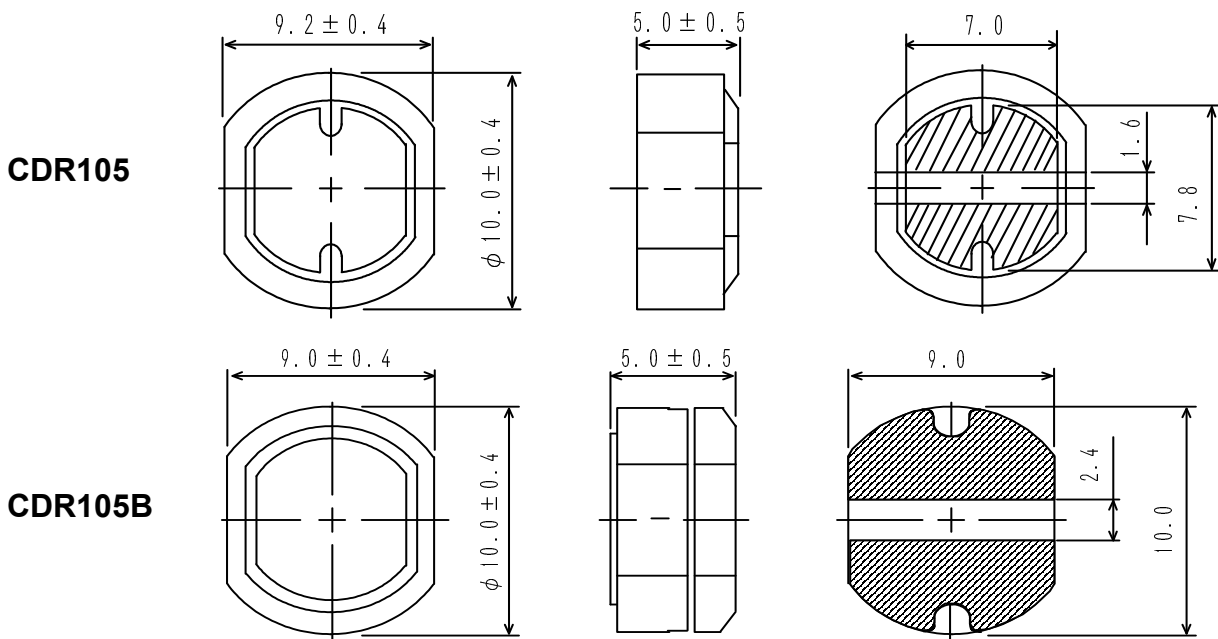
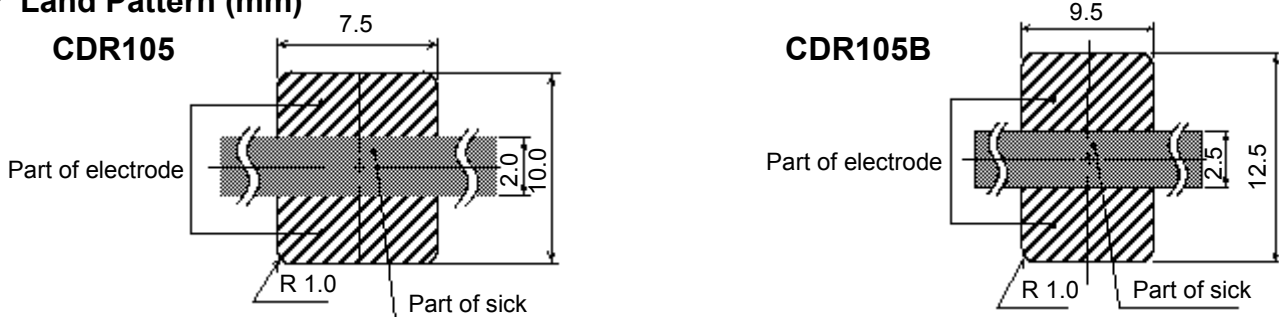


**Type: CDR105, CDR105B**
**◆ Product Description**

- 10.4 × 9.6mm Max.(L×W), 5.5mm Max. Height (CDR105)
- 10.4 × 9.4mm Max.(L×W), 5.5mm Max. Height (CDR105B)
- Inductance range: 10~470 μ H.
- Rated current range: 0.37~2.53A(CDR105) ; 0.33~2.06A(CDR105B)
- In addition to the standards versions shown here, custom inductors are also available to meet your exact requirements.


**◆ Feature**

- Magnetically shielded construction.
- Ideally used in Notebook PC ,LCD TV ,Game machine ,HDD,DSC/DVC, etc as DC-DC Converter inductors.
- RoHS Compliance.

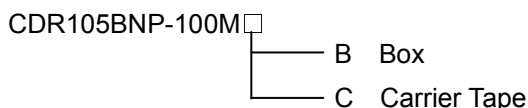
**◆ Dimensions (mm)**

**◆ Land Pattern (mm)**


**Type: CDR105,CDR105B**
**◆ Specification(CDR105)**

Part name ※	Stamp	Inductance (μ H) ※ 1	D.C.R.(Ω) Max (at 20°C)	Rated Current (A) ※2-1	S.R.F (MHZ) [typ.]
CDR105NP-100M□	100M	+20% 10-15%	0.06	2.53	31
CDR105NP-120M□	120M	+20% 12-15%	0.06	2.31	27
CDR105NP-150M□	150M	+20% 15-15%	0.07	2.06	27
CDR105NP-180M□	180M	+20% 18-15%	0.08	1.89	26
CDR105NP-220M□	220M	+20% 22-15%	0.09	1.71	21
CDR105NP-270M□	270M	+20% 27-15%	0.11	1.54	18
CDR105NP-330M□	330M	+20% 33-15%	0.12	1.39	16
CDR105NP-390M□	390M	+20% 39-15%	0.16	1.28	15
CDR105NP-470M□	470M	+20% 47-15%	0.18	1.17	14
CDR105NP-560M□	560M	+20% 56-15%	0.19	1.07	12
CDR105NP-680M□	680M	+20% 68-15%	0.22	0.97	11
CDR105NP-820M□	820M	+20% 82-15%	0.28	0.88	10
CDR105NP-101M□	101M	+20% 100-15%	0.35	0.80	7.0
CDR105NP-121M□	121M	+20% 120-15%	0.38	0.73	6.5
CDR105NP-151M□	151M	+20% 150-15%	0.45	0.65	5.8
CDR105NP-181M□	181M	+20% 180-15%	0.62	0.60	5.3
CDR105NP-221M□	221M	+20% 220-15%	0.69	0.54	5.2
CDR105NP-271M□	271M	+20% 270-15%	0.78	0.49	4.6
CDR105NP-331M□	331M	+20% 330-15%	1.03	0.44	4.2
CDR105NP-391M□	391M	+20% 390-15%	1.18	0.41	3.6
CDR105NP-471M□	471M	+20% 470-15%	1.60	0.37	3.6

**Type: CDR105,CDR105B**
**◆ Specification (CDR105B)**

Part name ※	Stamp	Inductance ( $\mu$ H) ※ 1	D.C.R. ( $\Omega$ ) [MAX.] (at 20°C)	Rated Current (A) ※2-2	S.R.F.(MHz) [Ref.]
CDR105BNP-100M□	100	10±20%	0.06	2.06	29.1
CDR105BNP-120M□	120	12±20%	0.07	1.94	26.5
CDR105BNP-150M□	150	15±20%	0.07	1.72	24.2
CDR105BNP-180M□	180	18±20%	0.08	1.58	21.8
CDR105BNP-220M□	220	22±20%	0.08	1.42	18.8
CDR105BNP-270M□	270	27±20%	0.10	1.32	17.1
CDR105BNP-330L□	330	33±15%	0.11	1.16	14.2
CDR105BNP-390L□	390	39±15%	0.12	1.10	14.1
CDR105BNP-470L□	470	47±15%	0.14	1.00	11.5
CDR105BNP-560L□	560	56±15%	0.19	0.93	11.1
CDR105BNP-680L□	680	68±15%	0.21	0.85	10.2
CDR105BNP-820L□	820	82±15%	0.28	0.79	9.2
CDR105BNP-101K□	101	100±10%	0.34	0.72	8.1
CDR105BNP-121K□	121	120±10%	0.37	0.63	7.3
CDR105BNP-151K□	151	150±10%	0.51	0.55	6.2
CDR105BNP-181K□	181	180±10%	0.57	0.50	5.6
CDR105BNP-221K□	221	220±10%	0.78	0.47	5.4
CDR105BNP-271K□	271	270±10%	0.87	0.41	5.0
CDR105BNP-331K□	331	330±10%	1.20	0.37	4.2
CDR105BNP-391K□	391	390±10%	1.34	0.35	3.8
CDR105BNP-471K□	471	470±10%	1.50	0.33	3.5

**※ Description of part name**


※1: Measuring frequency: 10  $\mu$  H ~ 82  $\mu$  H at 2.52 MHz;  
 100  $\mu$  H ~ 470  $\mu$  H at 1 kHz.

※2-1: Rated current: The D.C. current at which the inductance decreases to 80% of its nominal value or when  $\Delta t=40^\circ\text{C}$ , whichever is lower ( $T_a=20^\circ\text{C}$ ).

※2-2: Rated current: The D.C. current at which the inductance decreases to 90% of its initial value or when  $\Delta t=40^\circ\text{C}$ , whichever is lower ( $T_a=20^\circ\text{C}$ ).