

Materials

- 1. Shell, C3604 brass, 2 µm nickel plated
- 2. Insulator, ABS, black
- 3. Pin, C3604 brass, 2 µm nickel plated
- 4. Spring contact, C5191 phosphor bronze, 2 µm nickel plated

Electrical requirements

Dielectric strength: 1 min @ 500 Vac
 Insulation resistance: 100 MΩ @ 500 Vdc
 Contact resistance: 30 mΩ or less
 Rated voltage: 20 Vdc
 Rated current: 8 A

Mechanical requirements

Insertion force: 0.3-3 kgf
 Withdrawal force: 0.3-3 kgf
 Durability: 5000 mating cycles while maintaining; 0.3 kgf min. insertion force, 0.2 kgf min. withdrawal force and a less than 100 mΩ contact resistance.

Environmental requirements

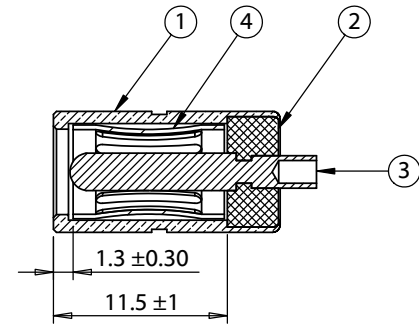
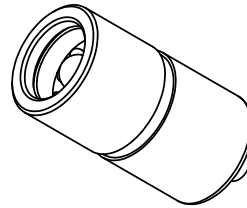
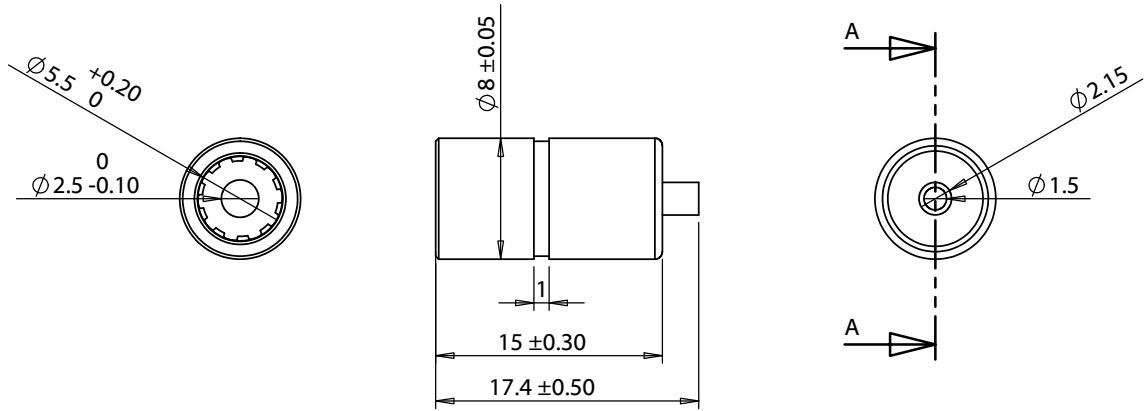
Damp test: 40 °C, RH 90-100% for 96 hrs. Cool to ambient and recover for 2 hours. Maintain dielectric strength of 500 Vac for 1 min, insulation resistance of 50 MΩ @ 500 Vdc minimum and a contact resistance of 100 mΩ or less.

Dry test: 70 °C, RH 70-85% for 96 hrs. Cool to ambient and recover for 2 hours. Maintain insulation resistance of 50 MΩ @ 500 Vdc minimum and a contact resistance of 100 mΩ or less.

Salt spray test: 35 °C, RH 90-95%, 5% NaCl mist for 24 hrs. Wash parts after test. Maintain mechanical requirements and a contact resistance of less than 80 mΩ.

Operating range

-25 to 70 °C, relative humidity of 85% or less



SECTION A-A

Revision:	Date:	Description:	Prepared:	Notes:	<h1>TENSILITY</h1> <p>tel 1.541.323.3228 800 877.670.7118 fax 1.541.323.4202 web tensility.com</p>
A	9/2/2009	Initial release	Verified:	RoHS and REACH compliant	
A1	11/9/2012	Added test data	Dimensions are in millimeters.	Function test: no open, no short circuit, no intermittent	
			Tolerances: X: ± 0.5 mm X.X: ± 0.3 mm X.XX: ± 0.05 mm	Description: Connector, dc jack, 5.5x2.5xL17.4 mm, molding style	
				Size: A Part number: 50-00027	