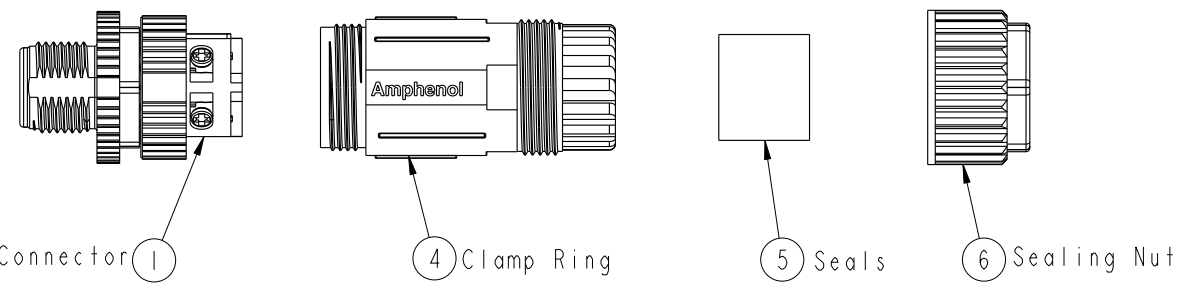


THIS DOCUMENT IS SUBJECT TO CHANGE WITHOUT NOTICE. IT IS CONFIDENTIAL AND A PROPERTY OF Amphenol LTW. DISCLOSURE TO THIRD PARTY HAS TO BE AUTHORIZED BY Amphenol LTW.

REV.	ECN NO.	DATE	SIGN	DESCRIPTION
A	Initial Release	2015-03-26	Cary	Change Rev. 01 to Rev.A

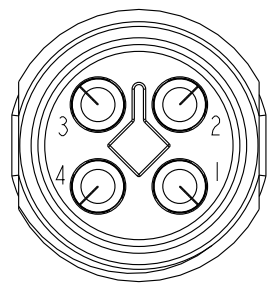
**ALTW**  
CONFIDENTIAL  
2015-03-26  
R&D DEPT.

**ALTW**  
DCC. DEPT.  
CONFIDENTIAL  
2015.05.21  
ISSUED

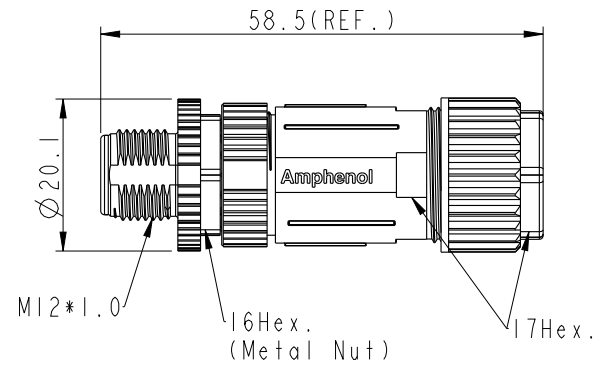


Connector ①  
Male Nut ②  
Nut ③  
Clamp Ring ④  
Seals ⑤  
Sealing Nut ⑥

- Note:
- \* Ⓞ Important Dimension To Check.
  - \* Waterproof Rate: IP67
  - \* Housing: Nylon, UL94V-0, Black
  - \* Male Pin: Copper Alloy, Gold Plated
  - \* Male Nut: Zinc Alloy, Nickel Plated
  - \* O-Ring: Silicone, UL94V-0, Gray
  - \* Clamp Ring: Nylon, UL94V-0, Black
  - \* Sealing Nut: PBT, Black
  - \* Seals: Silicone, UL94V-0, Gray
  - \* Rated Voltage: 60V DC.
  - \* Rated Current at 40°C: 12A
  - \* Operation Temperature: -40~105°C.
  - \* Seal For Cable Range OD:  $\varnothing 8.0\text{mm} \sim \varnothing 10.0\text{mm}$ , 16AWG
  - \* Screws for Wire connection recommended  
tightening torque: 0.61~0.84 kgf.cm / 0.059~0.082 N.m
  - \* Applicable Wire gauge (Stranded wire cross section)  
0.52mm<sup>2</sup> (20AWG) ~ 1.31mm<sup>2</sup> (16AWG)
  - \* Mating Recommended tightening torque:  
3~4 kgf.cm / 0.29~0.39 N.m
  - \* Sealing-Nut Recommended tightening torque:  
4~6 kgf.cm / 0.39~0.59 N.m
  - \* Detailed applicable wire specifications may vary  
depending on the actual wire construction.



Pin Assignments  
Front View



UNIT:mm		
TOLERANCE		
.X	$\pm 0.25$	
.XX	$\pm 0.1$	
.XXX	$\pm 0.05$	
ANGLES	$\pm 1^\circ$	

TITLE M12 T Code 4Pin M Conn. ASSY			
SCALE 1:1	SIZE A4	SHEET 1 OF 1	
REV. A	WC-REV. .0	Ⓞ: Inspection item	

**Amphenol LTW**  
安費諾亮泰企業股份有限公司

ITEM NO. M12T-04BMMB-SL7002	DRAWN BY Cary	DATE 2015-03-26
DWG NO. M12T-04BMMB-SL7002	CHECKED BY Lu Di	DATE 2015-03-26
CUSTOMER ALTW	APPROVED BY Jerry	DATE 2015-03-26