

503182-1853	8
EMBOSSSED TAPE	極数
ORDER No. オーダー番号	CIRCUITS
CONNECTOR SERIES No. 503182-**43	

REVISED EC NO: J2013-1070 DRWN: YGOTO CHKD: MTOMITA APPR: YO ITO	DESCRIPTION 2013/03/27 2013/03/27 2013/03/28	GENERAL TOLERANCES (UNLESS SPECIFIED)		DIMENSION STYLE MM ONLY	SCALE 4:1	DESIGN UNITS METRIC	THIRD ANGLE PROJECTION			
		10 UNDER	± 0.2	DRAWN BY YGOTO	DATE 2013/03/08	TITLE MICRO SD CONN. NORMAL ULTRA LOW-PROFILE ASSY				
REV B		10 OVER 30 UNDER	± 0.25	CHECKED BY MTOMITA	DATE 2013/03/08					
		30 OVER	± 0.3	APPROVED BY YO ITO	DATE 2013/03/12					
		ANGULAR	± 1 °	MATERIAL NO.	DOCUMENT NO.	SHEET NO.				
		DRAFT WHERE APPLICABLE MUST REMAIN WITHIN DIMENSIONS		SEE CHART		SD-503182-015		1 OF 2		
				THIS DRAWING CONTAINS INFORMATION THAT IS PROPRIETARY TO MOLEX INCORPORATED AND SHOULD NOT BE USED WITHOUT WRITTEN PERMISSION						

F

E

D

C

B

A

F

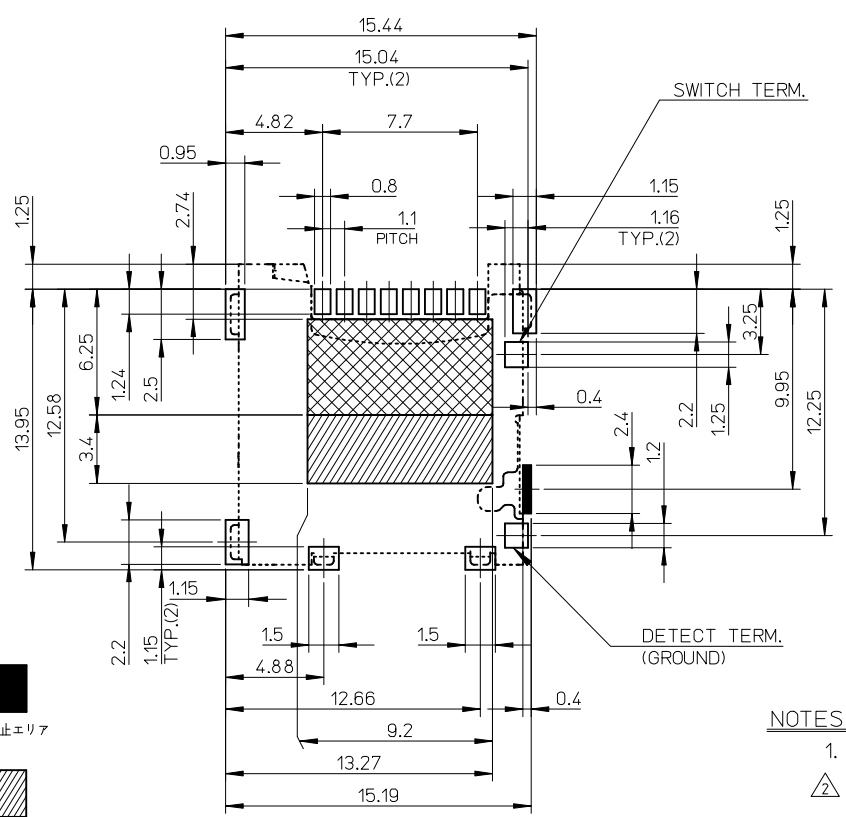
E

D

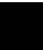


C

B

A



RECOMMENDED
PCB PATTERN LAYOUT
(GENERAL TOLERANCE : ±0.05)

-  部品搭載禁止エリア
-  パターン禁止エリア
-  半田付け禁止エリア

番号	名称 NAME	材料 MATERIAL
①	ハウジング HOUSING	液晶ポリマー(LCP) LIQUID CRYSTAL POLYMER (LCP)
②	ターミナル TERMINAL	銅合金、接点部:金めっき 半田付部:錫めっき 下地:ニッケルめっき COPPER ALLOY, CONTACT AREA:GOLD TAIL AREA:TIN UNDER PLATING:NICKEL
③	メタルシェル METAL SHELL	ステンレス鋼、半田付け部:金めっき 下地:ニッケルめっき STAINLESS STEEL, TAIL AREA:GOLD UNDER PLATING:NICKEL
④	カムスライダー CAM SLIDER	液晶ポリマー(LCP) LIQUID CRYSTAL POLYMER (LCP)
⑤	ディテクトネイル DETECT NAIL	銅合金、接点部:金めっき 半田付部:金めっき 下地:ニッケルめっき COPPER ALLOY, CONTACT AREA:GOLD TAIL AREA:GOLD UNDER PLATING:NICKEL
⑥	スイッチネイル SWITCH NAIL	銅合金、接点部:金めっき 半田付部:金めっき 下地:ニッケルめっき COPPER ALLOY, CONTACT AREA:GOLD TAIL AREA:GOLD UNDER PLATING:NICKEL
⑦	スプリング SPRING	ピアノ線 SWP
⑧	カムピン CAM PIN	ステンレス鋼 STAINLESS STEEL

NOTES

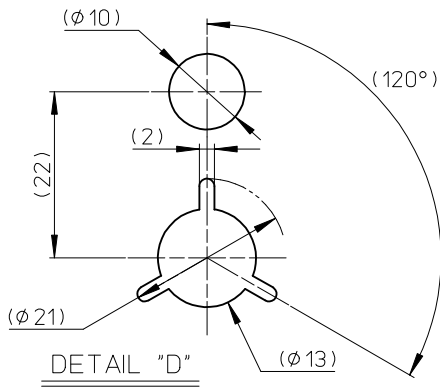
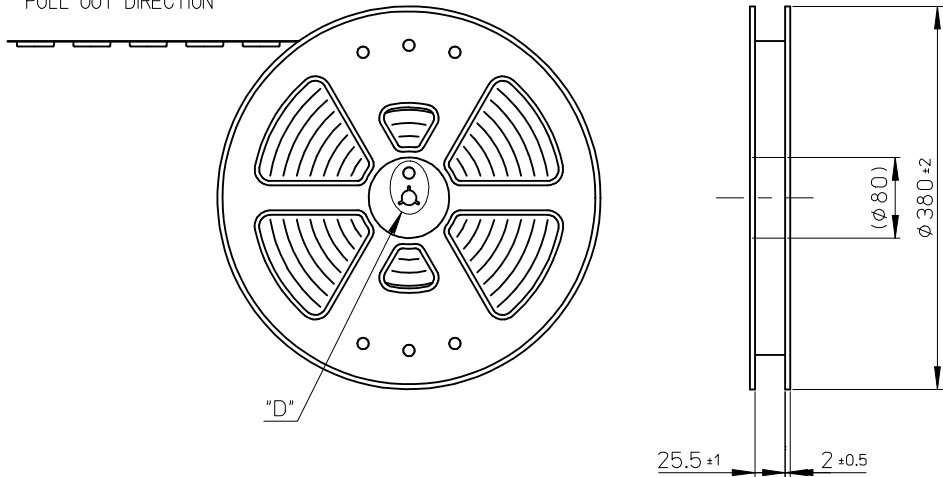
- 1. ターミナル及びネイルの平坦度は0.1MAX.とする。
COPLANARITY OF TERMINAL AND NAIL IS TO BE 0.1MAX.
- 2. スタンドオフ寸法
DIMENSIONS OF STAND OFF.
- 3. ロット印字は任意とする
LOT NUMBERING IS TO BE OPTIONAL.
- 4. 肉抜き位置は任意とする。
CAVITY IS TO BE OPTIONAL.
- 5. カード検知スイッチ
DETECT SWITCH
- 6. ELV及びRoHS適合品
ELV AND RoHS COMPLIANT.

カード挿入時 CARD INSERTING POSITION	クローズ CLOSED
カード未挿入時 NO CARD POSITION	オープン OPEN

ロットNo. : 7 7 0 7 0
 西暦(1桁目) : 7
 MONTH : 7
 THE YEAR OF GRACE : A : 10月
 B : 11月
 C : 12月
 DAY : 07
 ラインNo. : 0
 LINE No.

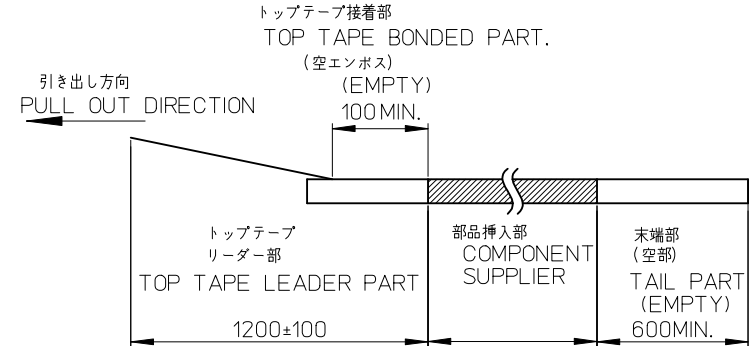
REVISED EC NO: J2013-1070 2013/03/27 DRW: YGOTO CHKD: MTOMITA APPR: Y01TO 2013/03/28	GENERAL TOLERANCES (UNLESS SPECIFIED)		DIMENSION STYLE MM ONLY		SCALE 4:1	DESIGN UNITS METRIC	THIRD ANGLE PROJECTION
	10 UNDER	±0.2	DRAWN BY YGOTO	DATE 2013/03/08	TITLE MICRO SD CONN. NORMAL ULTRA LOW-PROFILE ASSY		
	10 OVER 30 UNDER	±0.25	CHECKED BY MTOMITA	DATE 2013/03/08	molex		
	30 OVER	±0.3	APPROVED BY Y01TO	DATE 2013/03/12			
	ANGULAR	±1 °	MATERIAL NO. SEE SHEET 1 OF 2		DOCUMENT NO. SD-503182-015	SHEET NO. 2 OF 2	
DRAFT WHERE APPLICABLE MUST REMAIN WITHIN DIMENSIONS		SIZE A3	THIS DRAWING CONTAINS INFORMATION THAT IS PROPRIETARY TO MOLEX INCORPORATED AND SHOULD NOT BE USED WITHOUT WRITTEN PERMISSION				

引き出し方向
PULL OUT DIRECTION



NOTES

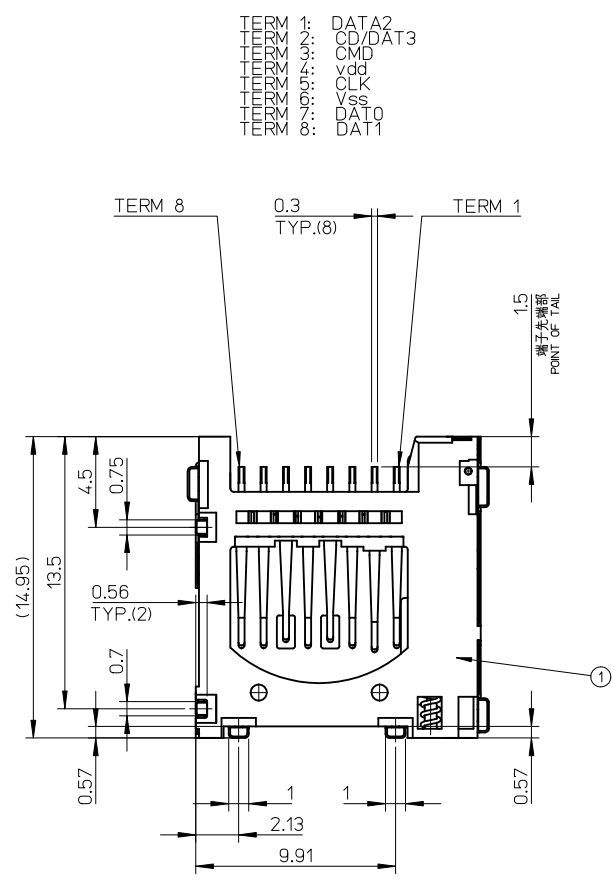
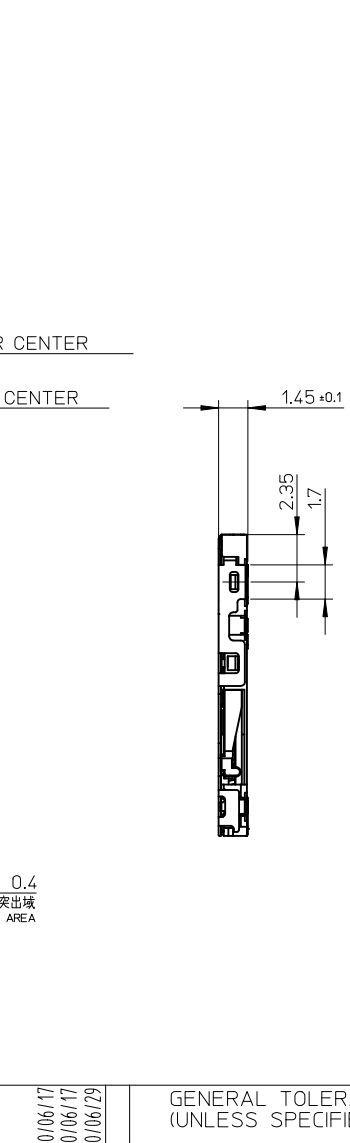
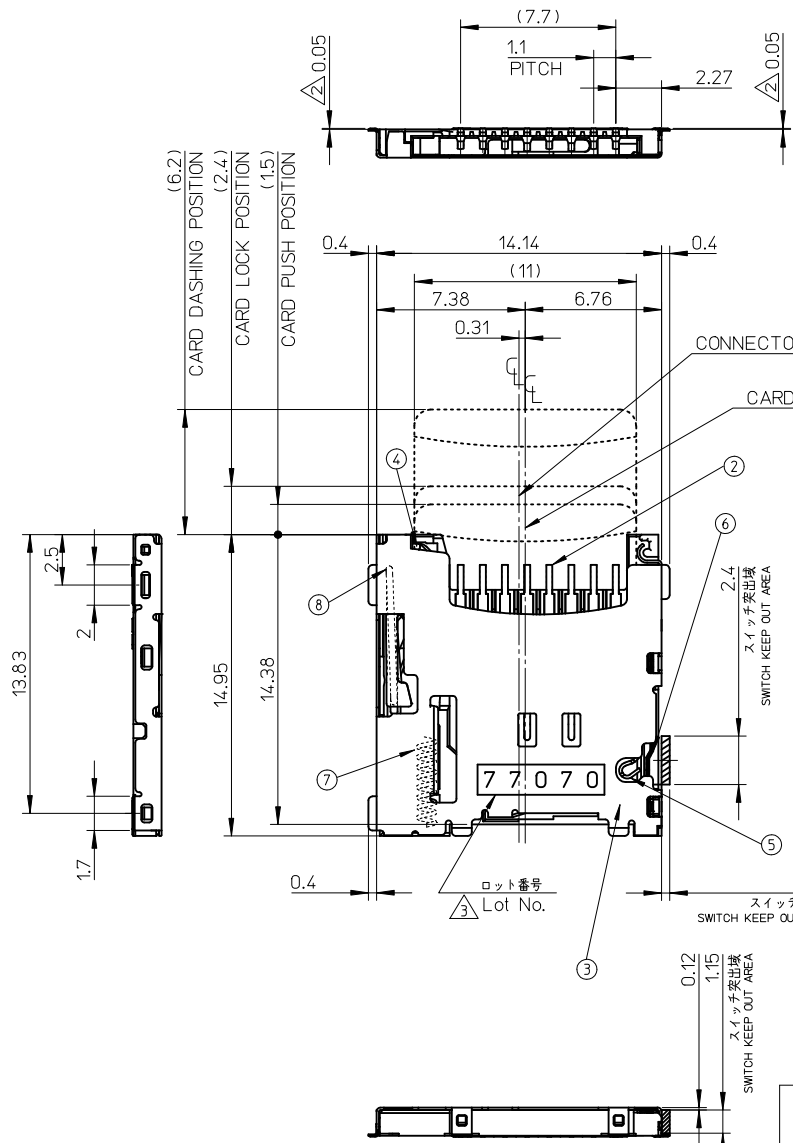
- 製品詳細寸法は製品単体図面を参照して下さい。
FOR DETAIL OF CONNECTOR DIMENSIONS, PLEASE SEE THE DRAWING OF CONNECTOR ITSELF (NOT PACKAGED).
- 梱包数量: 1600個/リール
NUMBER OF CONNECTORS: 1600 PCS/REEL.
- リードテープ長さ LEAD TAPE LENGTH.



- 材料 MATERIAL
キャリアテープ(CARRIER TAPE): ポリスチレン (POLYSTYRENE)
トップテープ(TOP TAPE): PET, OTHER
リール(REEL): ポリスチレン(PS)<リサイクル材含む>
POLYSTYRENE (PS)<RECYCLE MATERIAL CONTAINED>
- ELV AND RoHS COMPLIANT

503182-1853	8
EMBOSSD TAPE	極数
ORDER No. オーダー番号	CIRCUITS
CONNECTOR SERIES No. 503182-***43	

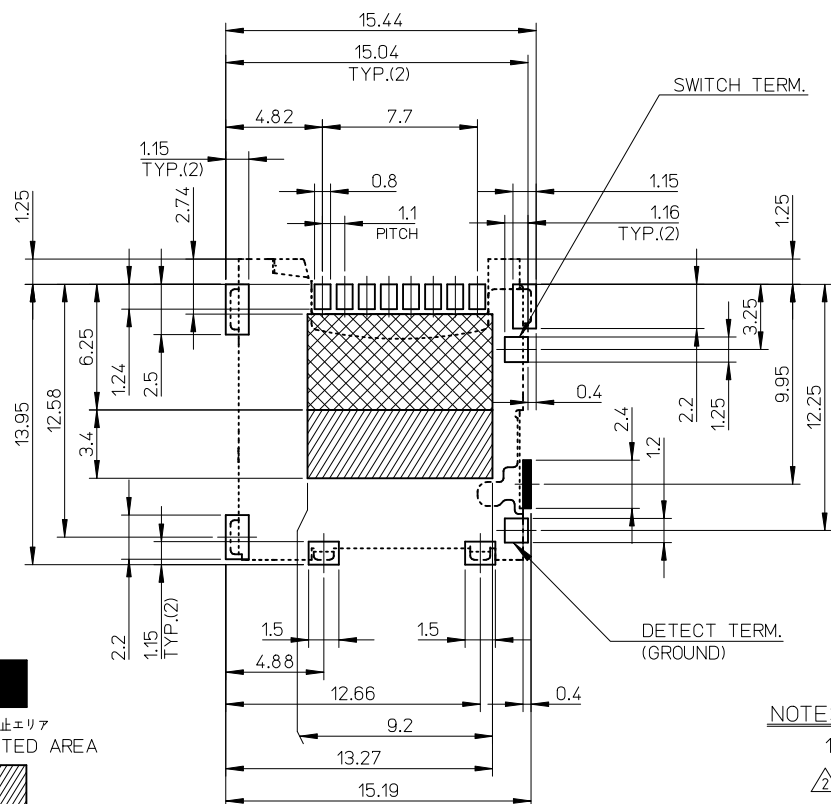
RELEASED EC NO.: J2013-0986 DRWN: YGOTO 2013/03/08 CHKD: MTOMITA 2013/03/08 APPR: YOITO 2013/03/12	DESCRIPTION REV: A	GENERAL TOLERANCES (UNLESS SPECIFIED)		DIMENSION STYLE MM ONLY		SCALE ---	DESIGN UNITS METRIC	THIRD ANGLE PROJECTION		
		10 UNDER	±0.2	DRAWN BY YGOTO	DATE 2013/03/08	TITLE MICRO SD CONN. ULTRA LOW-PRO EMBOSSD TAPE PACKAGE				
		10 OVER 30 UNDER	±0.25	CHECKED BY MTOMITA	DATE 2013/03/08	molex SD-503182-016 SHEET NO. 1 OF 2				
		30 OVER	±0.3	APPROVED BY YOITO	DATE 2013/03/12					
ANGULAR ±1 °		DRAFT WHERE APPLICABLE MUST REMAIN WITHIN DIMENSIONS		MATERIAL NO. SEE CHART		DOCUMENT NO. SD-503182-016				
				THIS DRAWING CONTAINS INFORMATION THAT IS PROPRIETARY TO MOLEX INCORPORATED AND SHOULD NOT BE USED WITHOUT WRITTEN PERMISSION						



- TERM 1: DATA2
- TERM 2: CD/DAT3
- TERM 3: CMD
- TERM 4: vdd
- TERM 5: CLK
- TERM 6: vss
- TERM 7: DAT0
- TERM 8: DAT1

503182-0853	8
EMBOSSED TAPE	極数
ORDER No. オーダー番号	CIRCUITS
CONNECTOR SERIES No. 503182-***43	

RELEASED EC NO.: J2010-2578 DRW: MTAKASAKI 2010/06/17 CHKD: MTOMITA 2010/06/17 APPR: NUKITA 2010/06/29	GENERAL TOLERANCES (UNLESS SPECIFIED)		DIMENSION STYLE	SCALE	DESIGN UNITS	THIRD ANGLE PROJECTION	
			MM ONLY	4:1	METRIC		
	10 UNDER ±0.2		10 OVER 30 UNDER ±0.25	DRAWN BY DATE	TITLE		
	30 OVER ±0.3		ANGULAR ±1 °	MTAKASAKI 2010/06/17	MICRO SD CONN. NORMAL ULTRA LOW-PROFILE ASSY		
DRAFT WHERE APPLICABLE MUST REMAIN WITHIN DIMENSIONS		SEE CHART	MTOMITA 2010/06/17	MOLEX INCORPORATED			
			APPROVED BY DATE	DOCUMENT NO.		SHEET NO.	
			NUKITA 2010/06/28	SD-503182-007		1 OF 2	
			MATERIAL NO.	THIS DRAWING CONTAINS INFORMATION THAT IS PROPRIETARY TO MOLEX INCORPORATED AND SHOULD NOT BE USED WITHOUT WRITTEN PERMISSION			



RECOMMENDED
PCB PATTERN LAYOUT
(GENERAL TOLERANCE : ±0.05)

部品搭載禁止エリア
PROHIBITED AREA

パターン禁止エリア
PATTERN PROHIBITION AREA

半田付け禁止エリア
SOLDER PROHIBITION AREA

番号 No.	名称 NAME	材料 MATERIAL
①	ハウジング HOUSING	液晶ポリマー(LCP) LIQUID CRYSTAL POLYMER (LCP)
②	ターミナル TERMINAL	銅合金、接点部:金めっき 半田付部:錫めっき 下地:ニッケルめっき COPPER ALLOY, CONTACT AREA:GOLD TAIL AREA:TIN UNDER PLATING:NICKEL
③	メタルシェル METAL SHELL	ステンレス鋼、半田付け部:金めっき 下地:ニッケルめっき STAINLESS STEEL, TAIL AREA:GOLD UNDER PLATING:NICKEL
④	カムスライダー CAM SLIDER	液晶ポリマー(LCP) LIQUID CRYSTAL POLYMER (LCP)
⑤	ディテクトネイル DETECT NAIL	銅合金、接点部:金めっき 半田付部:金めっき 下地:ニッケルめっき COPPER ALLOY, CONTACT AREA:GOLD TAIL AREA:GOLD UNDER PLATING:NICKEL
⑥	スイッチネイル SWITCH NAIL	銅合金、接点部:金めっき 半田付部:金めっき 下地:ニッケルめっき COPPER ALLOY, CONTACT AREA:GOLD TAIL AREA:GOLD UNDER PLATING:NICKEL
⑦	スプリング SPRING	ピアノ線 SWP
⑧	カムピン CAM PIN	ステンレス鋼 STAINLESS STEEL

CONFIDENTIAL

NOTES

- ターミナル及びネイルの平坦度は0.1MAX.とする。
COPLANARITY OF TERMINAL AND NAIL IS TO BE 0.1MAX.
- スタンドオフ寸法
DIMENSIONS OF STAND OFF.
- ロット印字は任意とする
LOT NUMBERING IS TO BE OPTIONAL.
- 肉抜き位置は任意とする。
CAVITY IS TO BE OPTIONAL.
- カード検知スイッチ
DETECT SWITCH
- ELV及びRoHS適合品
ELV AND RoHS COMPLIANT.

カード挿入時 CARD INSERTING POSITION	クローズ CLOSED
カード未挿入時 NO CARD POSITION	オープン OPEN

ロットNo. : 7 7 0 7 0
 西暦(1桁目) MONTH 7 : 7月
 THE YEAR OF GRACE A : 10月
 7 : 2007年 B : 11月
 DAY C : 12月 07 : 07日
 ラインNo. LINE No.

SEE SHEET 1 OF 2 EC NO: J2010-2578 DRAWN:MTAKASAKI 2010/06/17 CHKD:MTOMITA 2010/06/17 APPR:NUKITA 2010/06/29	GENERAL TOLERANCES (UNLESS SPECIFIED)		DIMENSION STYLE MM ONLY	SCALE 4:1	DESIGN UNITS METRIC	THIRD ANGLE PROJECTION
	10 UNDER	±0.2	DRAWN BY MTAKASAKI	DATE 2010/06/17	TITLE MICRO SD CONN. NORMAL ULTRA LOW-PROFILE ASSY	
	10 OVER 30 UNDER	±0.25	CHECKED BY MTOMITA	DATE 2010/06/17	MOLEX MOLEX INCORPORATED SD-503182-007	
	30 OVER	±0.3	APPROVED BY NUKITA	DATE 2010/06/28		
	ANGULAR ±1 ° DRAFT WHERE APPLICABLE MUST REMAIN WITHIN DIMENSIONS		MATERIAL NO. SEE CHART	DOCUMENT NO. SD-503182-007		SHEET NO. 2 OF 2
SIZE A3		THIS DRAWING CONTAINS INFORMATION THAT IS PROPRIETARY TO MOLEX INCORPORATED AND SHOULD NOT BE USED WITHOUT WRITTEN PERMISSION				