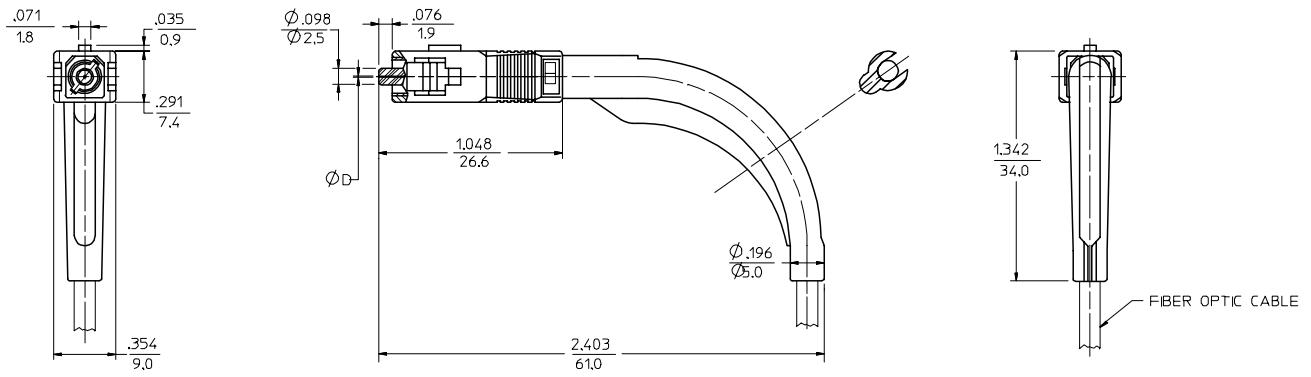


10	9	8	7	6	5	4	3	2	106063		
CONNECTOR P/N	ØD (µm)	HOUSING COLOR	BOOT COLOR	CABLE SIZE (mm)	CONNECTOR TYPE	CONNECTOR P/N	ØD (µm)	HOUSING COLOR	BOOT COLOR	CABLE SIZE (mm)	CONNECTOR TYPE
106063-0600	127	BLUE	BLUE	2.4	MULTIMODE	106063-4400	125	BLUE	YELLOW	3.0	SINGLE MODE
106063-0660		BEIGE	BEIGE			106063-4470		BLACK	BLACK		
106063-0670		BLACK	BLACK			106063-4480		RED	RED		
106063-0400		BLUE	BLUE	3.0		106063-4600	BLUE	YELLOW	2.4		
106063-0460		BEIGE	BEIGE			106063-5400	BLUE	YELLOW	3.0		
106063-0470		BLACK	BLACK			106063-5470	BLACK	BLACK			
106063-0480		RED	RED	106063-5480		RED	RED				
106063-2400	125.5	BLUE	YELLOW	2.4	SINGLE MODE	106063-5600	127	BLUE	YELLOW	2.4	
106063-2600	2.4			106063-7400	3.0						
106063-3400	3.0			106063-7600	2.4						
106063-3460	128	BEIGE	BEIGE	3.0	MULTIMODE						
106063-3470		BLACK	BLACK								
106063-3480		RED	RED								



NOTE:
FERRULE MATERIAL - ZIRCONIA.

ENTER DESCRIPTION EC NO: MF2008-0136 DRWNGKPEVNER 2007/09/25 CHKD: 2007/09/25 APPR: IGUMIN 2007/09/26	QUALITY SYMBOLS ▽=0 ▽=0	GENERAL TOLERANCES (UNLESS SPECIFIED) mm INCH 4 PLACES ± --- ± --- 3 PLACES ± --- ± --- 2 PLACES ± --- ± --- 1 PLACE ± --- ± --- ANGULAR ±1/2°	DIMENSION STYLE IN/MM DRAWN BY PGIBL IN DATE 2005/09/23 CHECKED BY DATE	SCALE 1.5:1 DESIGN UNITS INCH THIRD ANGLE PROJECTION
	DRAFT WHERE APPLICABLE MUST REMAIN WITHIN DIMENSIONS		APPROVED BY IGUMIN DATE 2005/09/23 MATERIAL NO. SEE TABLE SIZE B	TITLE SC CONNECTOR, 90 DEGREE BOOT MOLEX INCORPORATED DOCUMENT NO. SD-106063-YYYO SHEET NO. 1 OF 1
	THIS DRAWING CONTAINS INFORMATION THAT IS PROPRIETARY TO MOLEX INCORPORATED AND SHOULD NOT BE USED WITHOUT WRITTEN PERMISSION			