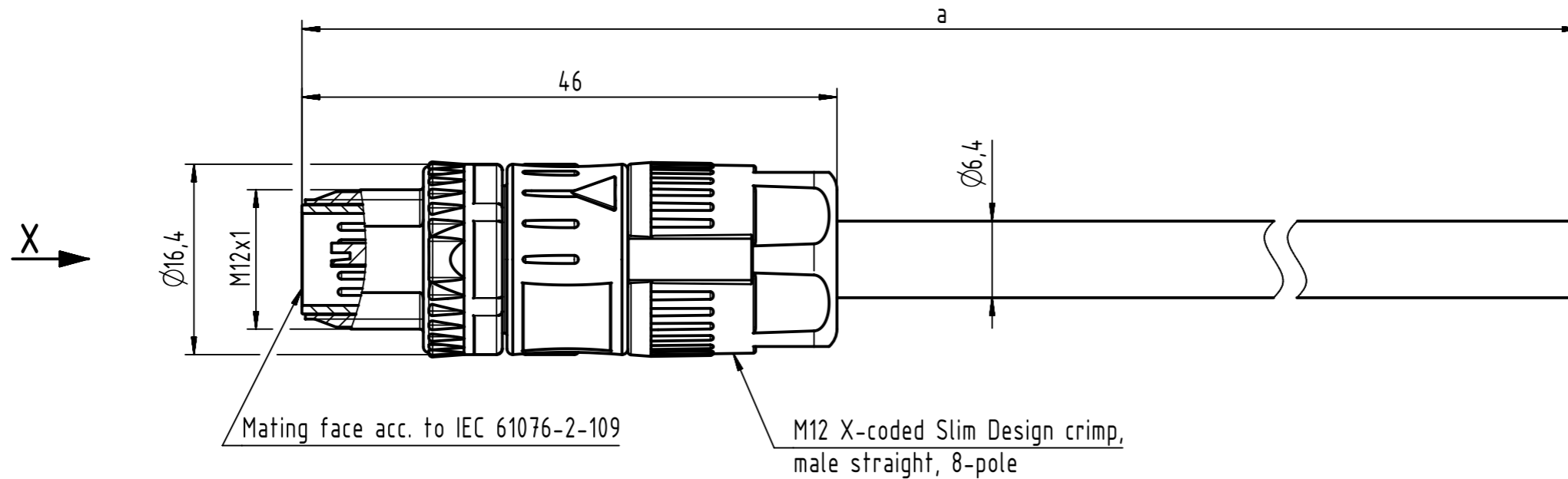


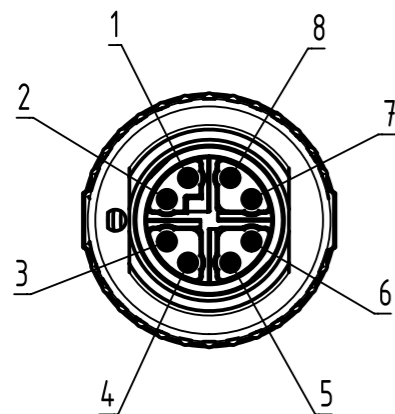
Connector Location A

Connector Location B

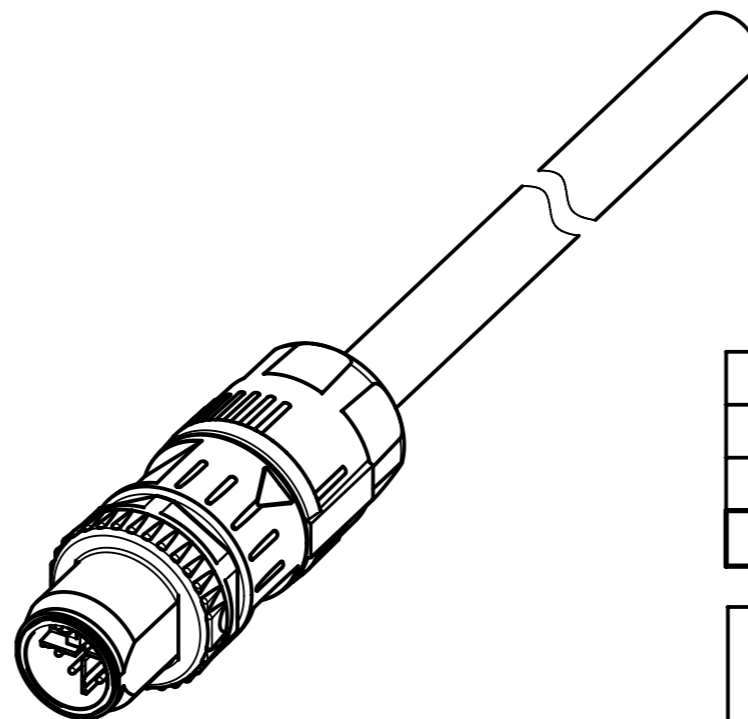


X

Loading-Plan



	Shield
1	White/orange
2	Orange
3	White/green
4	Green
5	White/brown
6	Brown
7	White/blue
8	Blue



6.0 to 100	±1%
0.6 to 5.9	+0.04
0.2 to 0.5	+0.02
a [m]	Tolerance

length in "1m" step	100	XXX=000
	99	XXX=990
	.	.
	12	XXX=120
	11	XXX=110
length in "0.1m" step	10	XXX=100
	9.9	XXX=099
	9.8	XXX=098
	.	.
	0.5	XXX=005
	0.4	XXX=004
	0.3	XXX=003
	0.2	XXX=002
Step	a[m]	XXX

RJI Ethernet flexible cable, 4x2xAWG 26/7, Cat.7A, PUR, yellow	21330100850XXX
Type of cable	Part no.

- Protection level: IP65/67
 - Temperature range: -40°C ... +70°C

	All rights reserved	Created by COSTEA	Inspected by MUNTEANV	Standardisation AVRAM	Date 2017-09-20	State Final Release	
Department HCS - RO		Title M12 X-coded Cable Assembly				Doc-Key / ECM-Nr. 100576504/UGD/000/D 500000125542	
HARTING Customised Solutions D-32427 Minden		Type TB	Number 21330100850XXX			Rev. D	Page 1/1