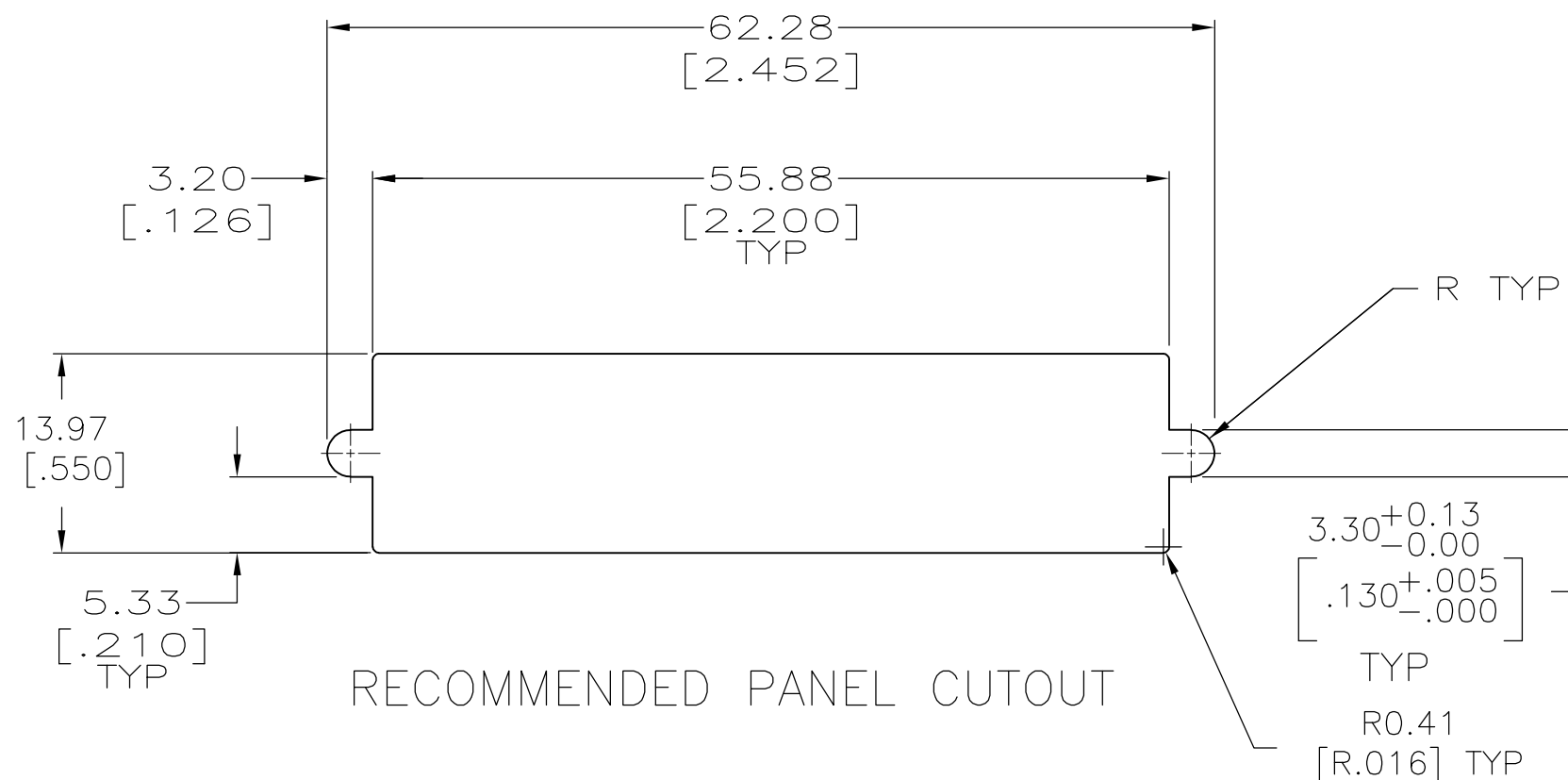
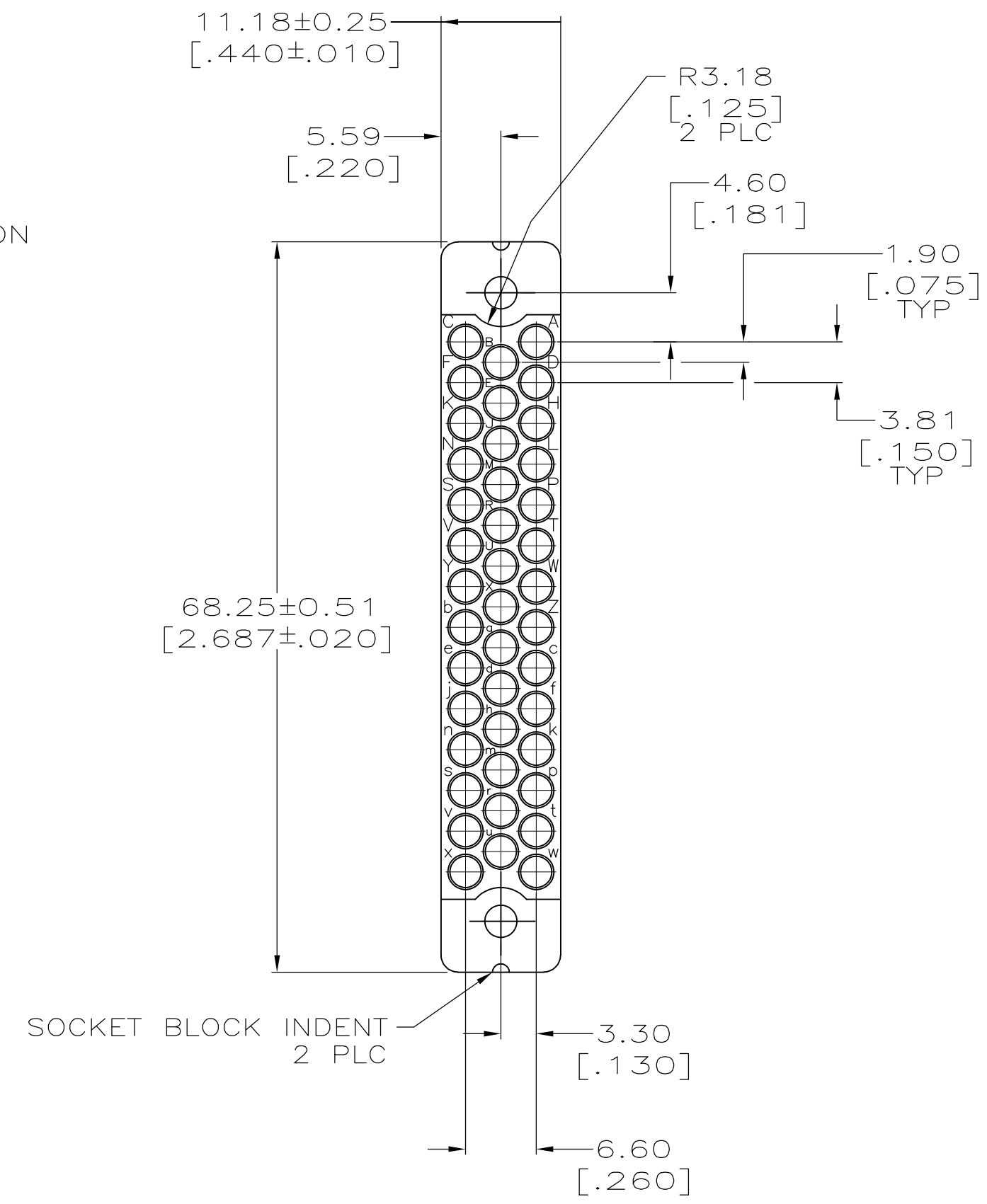
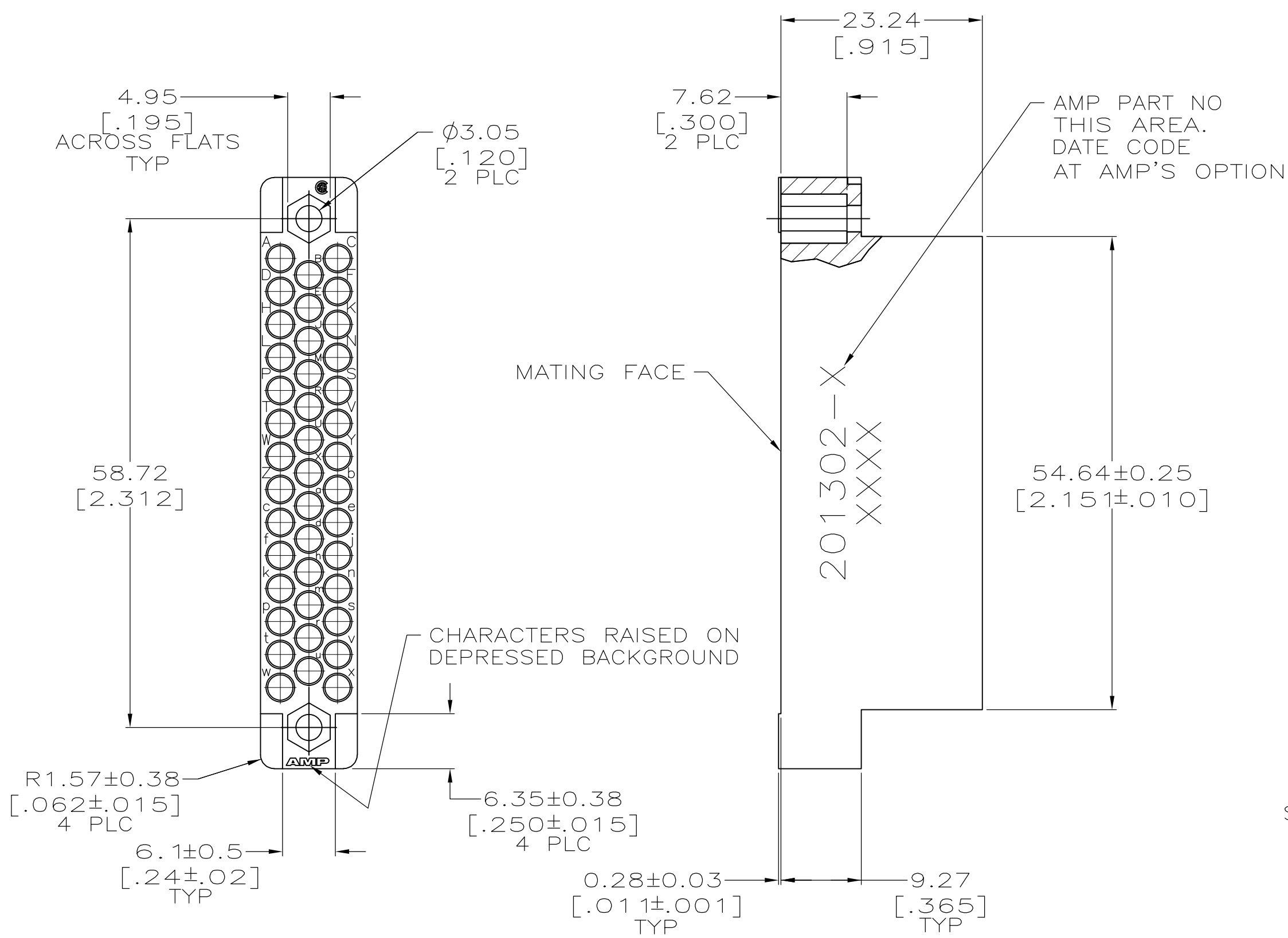


THIS DRAWING IS UNPUBLISHED. RELEASED FOR PUBLICATION
 © COPYRIGHT BY TYCO ELECTRONICS CORPORATION. ALL RIGHTS RESERVED.

LOC		DIST		REVISIONS			
P	LTR	DESCRIPTION		DATE	DWN	APVD	
	V	REVISED PER ECO-07-029096		12/12/07	SS	GS	
	V1	REVISED PER ECO-09-020935		09SEP09	KK	AEG	



- ① PHENOLIC, BLACK, PER MIL-M-14, TYPE CFG.
- ② DIALYL PHTHALATE, BLUE, PER MIL-M-14, TYPE SDG-F.
- 3. MATES WITH BLOCK 201302 OR 202135 AND ACCOMODATES TYPE II #16 OR #20, OR TYPE III+ OR TYPE VI #16 CONTACTS.
- ④ MARKING PERMANENCY PER MIL-STD-202, METHOD 215.
- ⑤ OBSOLETE PARTS: OBSOLETE CIS STREAMLINING PER D.RENAUD/D.SINISI

MATERIAL	PART NUMBER
⑤ OBSOLETE	201302-7 ④
②	201302-3
①	201302-1

THIS DRAWING IS A CONTROLLED DOCUMENT.		DWN C.REIFSNYDER 22 FEB 96	Tyco Electronics Corporation Harrisburg, PA 17105-3608	
DIMENSIONS: mm [INCHES]		CHK R.STONE 29 FEB 96	NAME BLOCK, FEMALE, 41 PLACE, MINIATURE RECTANGULAR, M SERIES	
TOLERANCES UNLESS OTHERWISE SPECIFIED:		APVD G.A.STEINHAUER 20 MAR 96	SIZE CAGE CODE DRAWING NO RESTRICTED TO	
0 PLC ± -		PRODUCT SPEC	A2 00779 C=201302	
1 PLC ± -		APPLICATION SPEC	SCALE 2:1 SHEET 1 OF 1 REV V1	
2 PLC ± 0.13 [.005]		WEIGHT -		
3 PLC ± -		CUSTOMER DRAWING		
4 PLC ± -				
ANGLES ± -				
FINISH -				