

Contact insert - HC-A16-I-PT-M-32 - 1585391

Please be informed that the data shown in this PDF Document is generated from our Online Catalog. Please find the complete data in the user's documentation. Our General Terms of Use for Downloads are valid (<http://phoenixcontact.com/download>)



Contact insert, number of positions: 16+PE, size: D25, Pin, Push-in connection, 250 V, 16 A, 0.14 mm² ... 2.5 mm²



Key Commercial Data

Packing unit	1 STK
GTIN	
GTIN	4046356285124

Technical data

General

Note	for HC-D25 / HC-D 50 housing
Connection method	Push-in connection
Screwdriver blade	0.5 x 3.5 mm
Degree of pollution	3
Overvoltage category	III
Number of positions	16+PE
Insertion/withdrawal cycles	≥ 500
Size	D25
Contact numbering	17 - 32
Conductor cross section	0.14 mm ² ... 2.5 mm ² (applies to stranded conductors with ferrules)
Connection cross section AWG	26 ... 14
Stripping length of the individual wire	8 mm
Assembly instructions	Connectors may be operated only when there is no load/voltage.

Ambient conditions

Ambient temperature (operation)	-40 °C ... 125 °C (including heating up of contacts)
---------------------------------	--

Material data

Contact material	Copper alloy
------------------	--------------

Contact insert - HC-A16-I-PT-M-32 - 1585391

Technical data

Material data

Contact surface material	Ag
Contact carrier material	PC

Electrical characteristics

Rated voltage (III/3)	250 V
Rated surge voltage	4 kV
	4 kV
Rated current	16 A

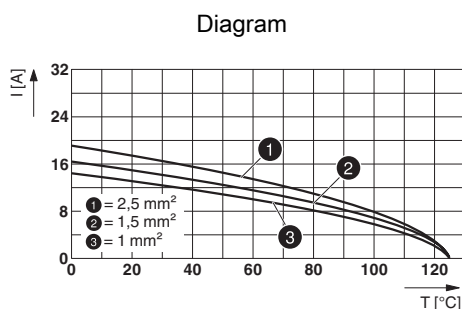
Standards and Regulations

Flammability rating according to UL 94	V0
--	----

Environmental Product Compliance

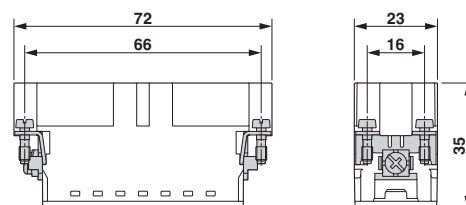
China RoHS	Environmentally Friendly Use Period = 50
	For details about hazardous substances go to tab "Downloads", Category "Manufacturer's declaration"

Drawings

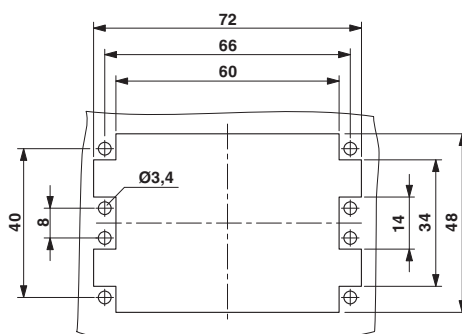


Male insert

Dimensional drawing



Dimensional drawing



Mounting cutout when used without housing

Approvals

Approvals

Contact insert - HC-A16-I-PT-M-32 - 1585391

Approvals

Approvals

GL / EAC / CSA / UL Recognized

Ex Approvals

Approval details

GL		http://exchange.dnv.com/tari/	6196614 HH
----	--	---	------------

EAC			EAC-Zulassung
-----	--	--	---------------

CSA		http://www.csagroup.org/services-industries/product-listing/	13631
-----	--	---	-------

Nominal voltage UN	600 V
Nominal current IN	13 A
mm ² /AWG/kcmil	14

UL Recognized		http://database.ul.com/cgi-bin/XYV/template/LISEXT/1FRAME/index.htm	E118976
---------------	--	---	---------

Nominal voltage UN	600 V
Nominal current IN	16 A
mm ² /AWG/kcmil	14