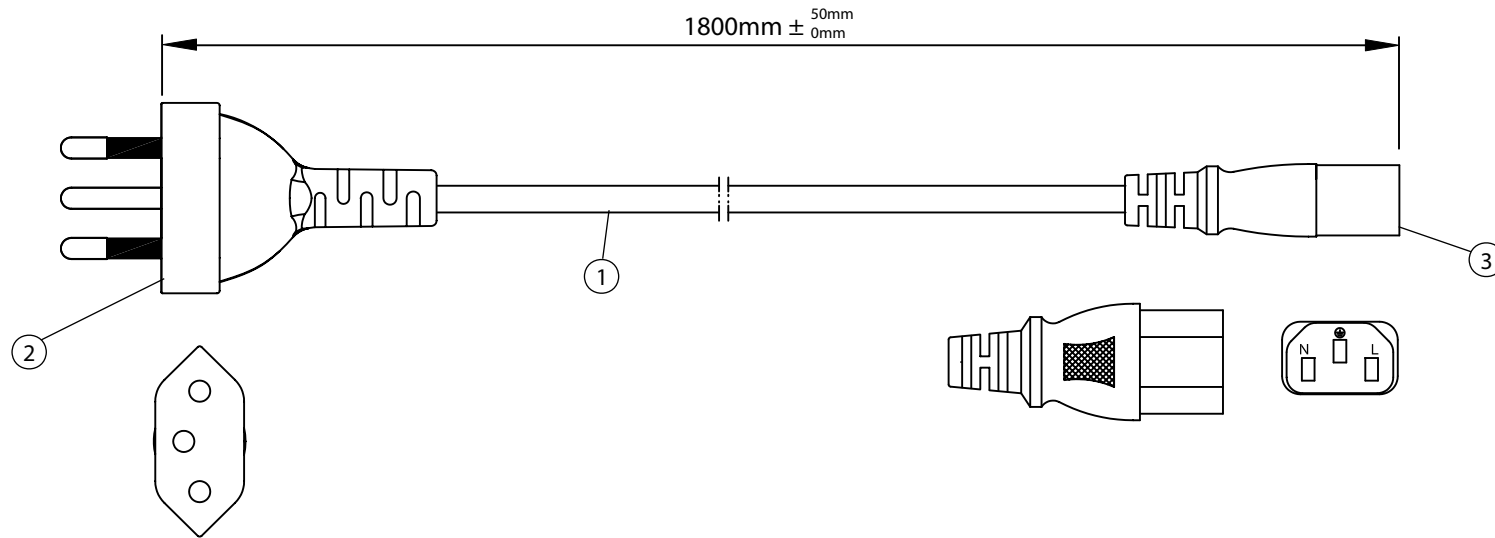


THESE DRAWINGS ARE THE PROPERTY OF QUALTEK ELECTRONICS AND NOT TO BE REPRODUCED FOR OR COMMUNICATED TO A THIRD PARTY WITHOUT THE EXPRESS WRITTEN PERMISSION OF AN OFFICER OF QUALTEK ELECTRONICS.

REVISION			
REV.	DESCRIPTION	DATE	APPROVED



NOTES:

1. CORDAGE: HO5VV-F, 3 x 1.0mm² UNSHIELDED, CEE COLOR CODE, TEMP. RATING: 70°C, RATING: 250V 10A, JACKET COLOR: BLACK
2. PLUG: NBR 14136
3. CONNECTOR: IEC 60320 C13
4. APPROVALS: INMETRO
5. ROHS COMPLIANT

CONTROLLED

		Qualtek Electronics Corp.		
		PPC DIVISION		
		Part Number: 392006-01		RoHS Compliant
		Description: POWER CORD		
Dim range (mm)	Tolerance +/- (mm)	UNIT: mm		
0-1	0.15	Drawn / Date	Checked / Date	Approved / Date
1-6	0.20	R. Nuti 10-17-11	10-17-11	LY / 10-17-11
6-18	0.30			
18-50	0.50			
50-120	0.70			
120-250	0.90			
250-500	1.20			