

MATERIALS AND FINISHES

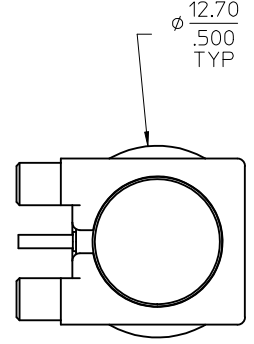
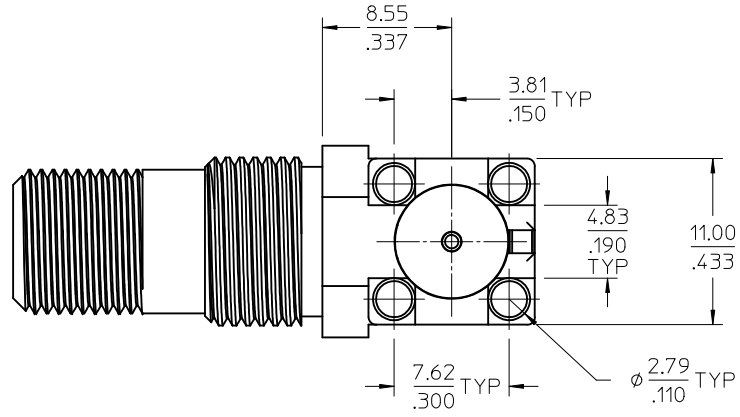
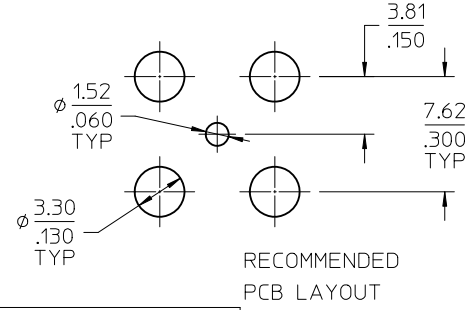
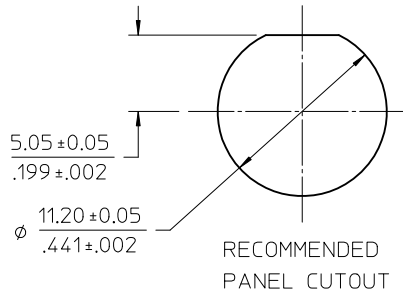
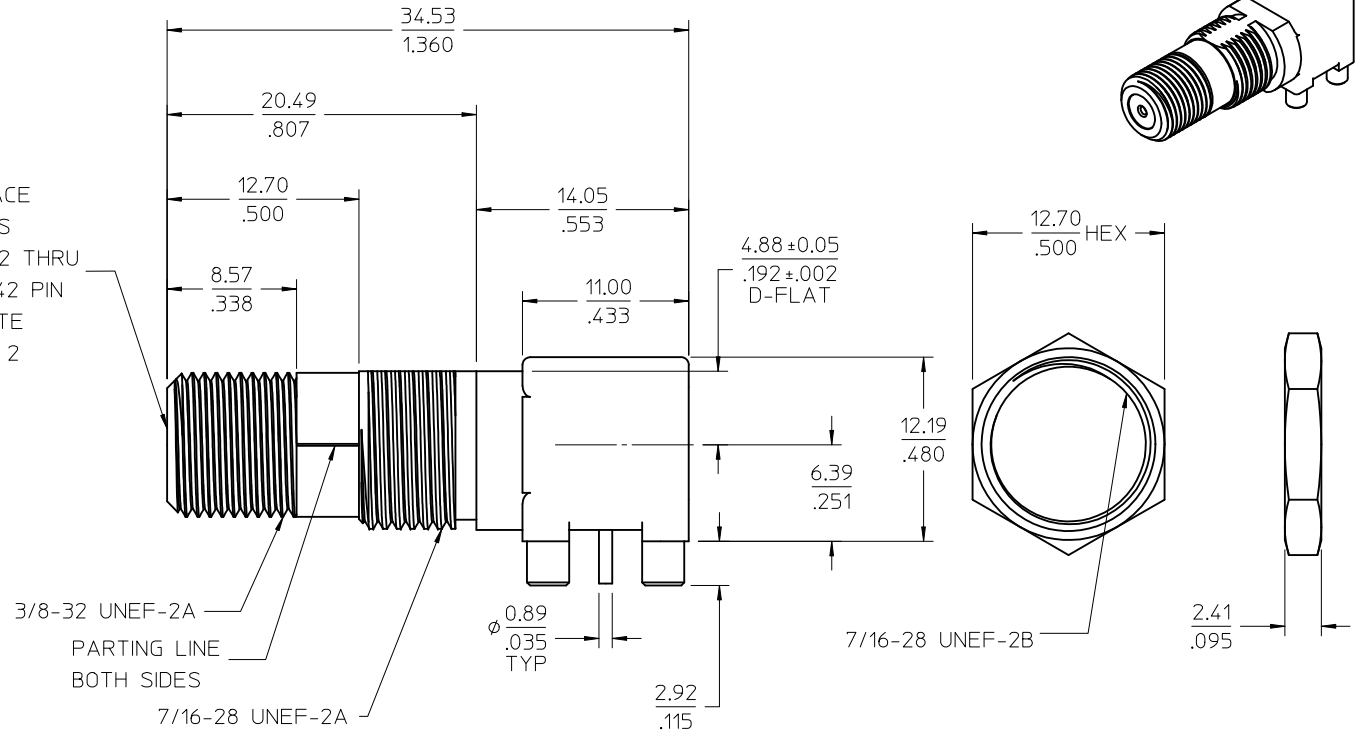
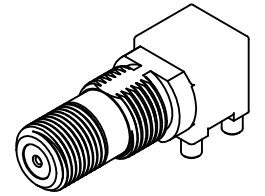
BODY: ZINC ALLOY
 PLATED TIN (100 MICROINCHES MIN)
 OVER NICKEL (50 MICROINCHES MIN)
 OVER COPPER (320 MICROINCHES MIN)

CENTER CONTACT: PHOSPHOROUS BRONZE
 BRASS/BERYLLIUM COPPER
 PLATED TIN (150 MICROINCHES MIN)
 OVER NICKEL (100 MICROINCHES MIN)
 FEMALE SPRING PLATED GOLD

INSULATOR: TEFLON

JAM NUT: BRASS
 PLATED NICKEL (100 MICROINCHES MIN)

F JACK
 INTERFACE ACCEPTS
 $\phi .56/.022$ THRU
 $\phi 1.07/1.042$ PIN
 SEE NOTE
 4 PAGE 2



73356-0402	WITH JAM NUT
73356-0401	WITHOUT JAM NUT
73356-0400	WITH JAM NUT
PART NO.	DESCRIPTION

RoHS
 COMPLIANT

CHG: ADD NOTE 4 ON PAGE TWO	EC NO: URF2010-0347 2009/12/28 DRWN:WIENER 2009/12/28 CHKD:SSHAH 2009/12/28 APPR:WIENER 2009/12/28	QUALITY SYMBOLS $\blacktriangledown=0$ $\triangle=0$	GENERAL TOLERANCES (UNLESS SPECIFIED)	DIMENSION STYLE		SCALE	DESIGN UNITS	THIRD ANGLE PROJECTION
				MM/IN	MM/IN			
DRAFT WHERE APPLICABLE MUST REMAIN WITHIN DIMENSIONS			DRAWN BY DATE SSS 2005/05/31		TITLE F JACK, R/A, PCB 75 OHMS, HIGH PERF F-J/RA/PCB EWR2813			
REV			CHECKED BY DATE TEF 2005/05/31		APPROVED BY DATE JDW 2005/05/31			
MATERIAL NO. SEE TABLE			DOCUMENT NO. SD-73356-040		SHEET NO. 1 OF 2			
THIS DRAWING CONTAINS INFORMATION THAT IS PROPRIETARY TO MOLEX INCORPORATED AND SHOULD NOT BE USED WITHOUT WRITTEN PERMISSION								


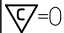

PRODUCT SPECIFICATION NOTES:

MEETS IPS SP 400 R09 WITH FOLLOWING EXCEPTIONS.

1. DIMENSION J CHAMFER NOT PRESENT.
2. NOTE 6 (WILL HAVE STANDARD DIECAST FINISH).
3. NOTE 4 (WILL HAVE PARTING LINES).
4. MATING INTERFACE WILL MAINTAIN ELECTRICAL CONTACT WITH $\phi 0.56$ ($\phi.022$) SIZE PIN AFTER 20 MATING CYCLES WITH $\phi 1.07$ ($\phi.042$) SIZE PIN

ELECTRICAL PERFORMANCE

RETURN LOSS: 26 dB MAX 5-2000 MHZ
 INSERTION LOSS: .1 dB MAX TO 2000 MHZ
 IMPEDANCE: 75 OHM
 CURRENT: 1 AMP WITHOUT DAMAGE
 CONTACT TEMPERATURE RISE: 15°C @ 1 AMP CONTINUOUS
 EXTERNAL CONTACT RESISTANCE: 1 mOHM MAX
 CENTER CONTACT RESISTANCE: 2 mOHM MAX
 INSULATION RESISTANCE: 1000 MOHM MIN
 VOLTAGE RATING: 500 Vrms 50/60 Hz
 DIELECTRIC WITHSTANDING VOLTAGE: 1500 Vrms (LEAKAGE CURRENT 500 μ AMP MAX)

CHG: SEE SHEET 1. EC NO: URF2010-0347 DRWN: JWIENER 2009/12/28 CHKD: SSHAH 2009/12/28 APPR: JWIENER 2009/12/28	QUALITY SYMBOLS  =0  =0	GENERAL TOLERANCES (UNLESS SPECIFIED)		DIMENSION STYLE MM/IN		SCALE	DESIGN UNITS METRIC	 THIRD ANGLE PROJECTION		
				DRAWN BY	DATE	TITLE				
				CHECKED BY	DATE	F JACK, R/A, PCB 75 OHMS, HIGH PERF F-J/RA/PCB EWR2813				
				TEF	2005/05/31					
				APPROVED BY	DATE	MOLEX INCORPORATED				
		JDW	2005/05/31	MATERIAL NO.	DOCUMENT NO.	SHEET NO.				
C5	REV	DRAFT WHERE APPLICABLE MUST REMAIN WITHIN DIMENSIONS		SEE TABLE		SD-73356-040		2 OF 2		
				SIZE	THIS DRAWING CONTAINS INFORMATION THAT IS PROPRIETARY TO MOLEX INCORPORATED AND SHOULD NOT BE USED WITHOUT WRITTEN PERMISSION					