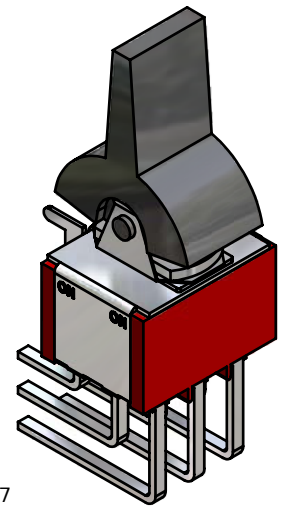
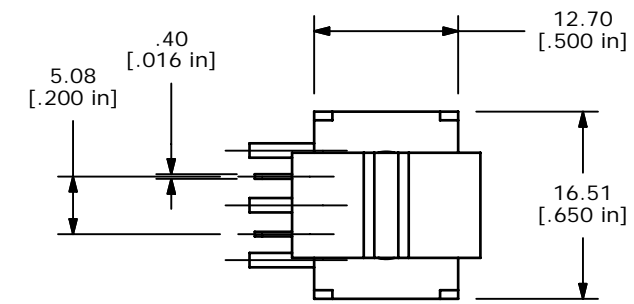
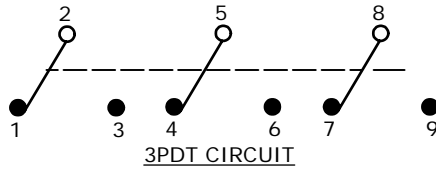
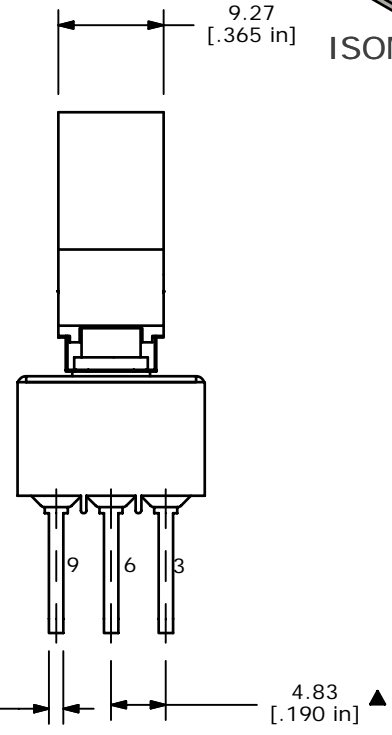
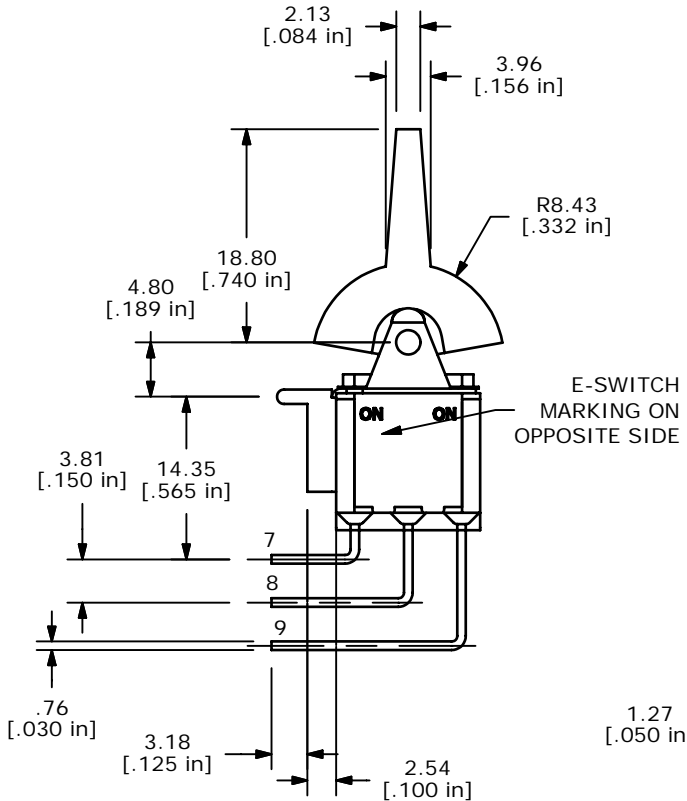


P.C. MOUNTING

SWITCH FUNCTION		
POS. 1	POS. 2	POS. 3
ON	OFF	(ON)
2-3, 5-6, 8-9	OPEN	2-1, 5-4, 8-7



ISOMETRIC



- NOTE:
- ALL DIMENSIONS IN MM [INCH]
  - GENERAL TOLERANCE: X.X=±0.4  
X.XX=±0.25
  - TERMINAL NUMBERS FOR REF ONLY
  - PLATING MATERIAL: SILVER
  - ▲ RATING: 2 AMPS @250VAC  
5 AMPS @120VAC OR 28VDC
  - ELECTRIC LIFE: 40,000 MAKE-AND-BREAK CYCLES AT FULL LOAD.
  - INSULATION RESISTANCE: 1,000 MEGA-OHM MIN.
  - CONTACT RESISTANCE: 100mA
  - DIELECTRIC STRENGTH: 1,000 V RMS @SEA LEVEL.
  - OPERATING TEMP.: -30°C to 85°C
  - ▲ DENOTES CRITICAL PARAMETER.
  - 2002/95/EC (ROHS) COMPLIANT

D	15970	3.81 DIM. WAS 4.70	4/18/06	CT
C	15897	EDIT SWITCH FUNCTION, MOUNTING DIM	3/24/06	PH
B	15563	REVISE REDRAWN	11/28/05	PH
REV	PCR NO	DESCRIPTION	DATE	BY
THE INFORMATION CONTAINED IN THIS DOCUMENT IS PROPRIETARY TO E-SWITCH AND IS NOT TO BE COPIED OR TRANSFERRED				

E-SWITCH®

TITLE 3003P5J2BLKM7QE

SCALE 1.5	DATE 11/28/2005	DR PH	DWG T335000	REV D
-----------	-----------------	-------	-------------	-------