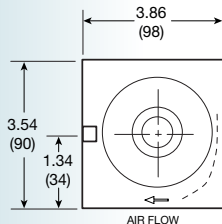
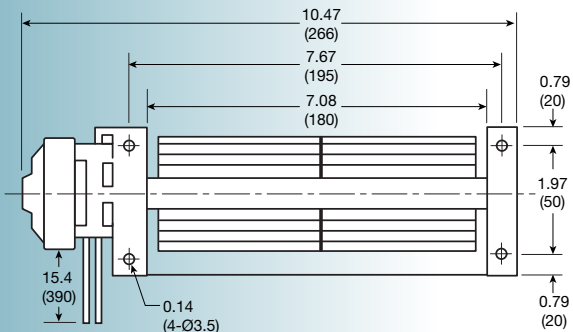
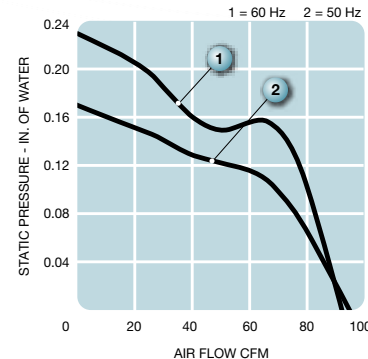


## UF6017 series



**Size: (266 mm x 98 mm x 90 mm)**  
**10.47 x 3.86 x 3.54 inches**

- Features:** crossflow blower
- Operating voltage (VAC):** 120 or 230
- Operating temp:** -40° to 70° C
- Construction:** steel frame with aluminum impeller
- Bearing option:** ball bearing or sleeve
- Motor:** shade pole
- Connection:** 22 AWG lead wires
- Protection:** impedance protected



Model No.	Rated Voltage V	Freq. HZ	Input Power W	Rated Cur. A	Locked Cur. A	Speed RPM	Air Volume		Max. Static Pressure (H <sub>2</sub> O)		Sound Noise dbA	Weight kg
							M <sup>3</sup> /Min.	CFM	MM	INCH		
UF6017SBA12H-L	120	50	27	0.45	0.52	2200	3.0	106	6.0	0.24	43	1.3
	120	60	25	0.40	0.42	2000	2.5	89	5.5	0.22	42	1.3
UF6017SBA23H-L	230	50	27	0.22	0.26	2200	3.0	106	6.0	0.24	43	1.3
	230	60	25	0.20	0.22	2000	2.5	89	5.5	0.22	42	1.3