

Technical specification:

Rated voltage: IEC 61076-2-101	4pos 160 V
Current rating: IEC 61076-2-101	4 A at 40°C
Insulation resistance: IEC 60512	>=100 MΩ
Pollution degree: IEC 60664-1	3/2
Degree of protection: IEC 60529	IP 67, in mated condition
Temperature range: IEC 60664-1	-30°C ... +80°C
Mating cycles: IEC 60512-9a	>=100

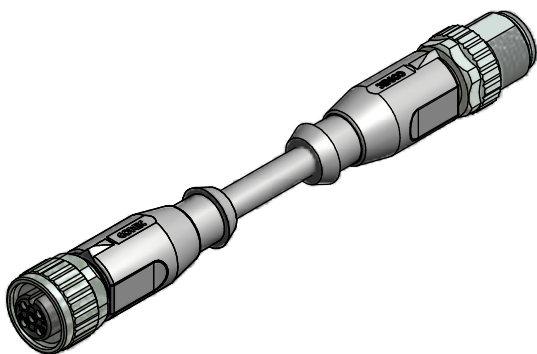
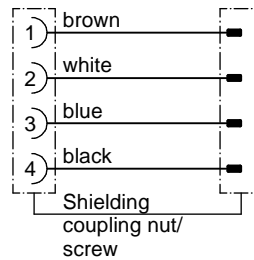
Materials:

Contact:	CuZn
Contact plating:	Nickel, gold plated
Contact carrier:	PBT, UL 94
Sealing:	FPM
Coupling nut/ screw:	GD-Zn, nickel plated
Moulding body:	TPU, UL 94, grey

Installation specification:

Recommended torque:	0,6 Nm
Conec installation tool:	Torque wrench: 36-000200 Insert across flats 13: 36-000220

Contact assignment:



Part no:	Description:	Length L:	Cable:
43-10812	SAL - 12S - RK4 - RS4 - 0,3 / G3	0,3m	PVC, grey, 4x0,34mm ² Cable: 781-G33400
43-10813	SAL - 12S - RK4 - RS4 - 0,6 / G3	0,6m	
43-10814	SAL - 12S - RK4 - RS4 - 1,5 / G3	1,5m	
43-10815	SAL - 12S - RK4 - RS4 - 3,0 / G3	3m	
43-xxxxx	SAL - 12S - RK4 - RS4 - ... / G3	x	

D see data sheet cable

DO NOT ALTER CAD DRAWING BY HAND Directive 2002/95/EC RoHS compliant	Index: b 31.01.2011 VF Ä3767 Coupling nut/screw modified, spanner flats added, data sheet modified	dim. in mm <table border="1"> <tr> <td></td> <td>date</td> <td>name</td> </tr> <tr> <td>drawn</td> <td>08.03.07</td> <td>Fromm</td> </tr> <tr> <td>appd.</td> <td>08.03.07</td> <td>Mankopf</td> </tr> </table>		date	name	drawn	08.03.07	Fromm	appd.	08.03.07	Mankopf	title: Connecting cable M12x1, 360°-shielding, female connector axial - male connector axial
			date	name								
	drawn	08.03.07	Fromm									
	appd.	08.03.07	Mankopf									
tolerance of cable: L ≤ 4m: L + 40mm L > 4m: L + 1%		dwg no: 43K1A413										
THIS DRAWING MAY NOT BE COPIED OR REPRODUCED IN ANY WAY, AND MAY NOT BE PASSED ON TO A THIRD PARTY WITHOUT WRITTEN PERMISSION. OWNERSHIP AND COPYRIGHT OF CONEC GmbH		part no: see table										