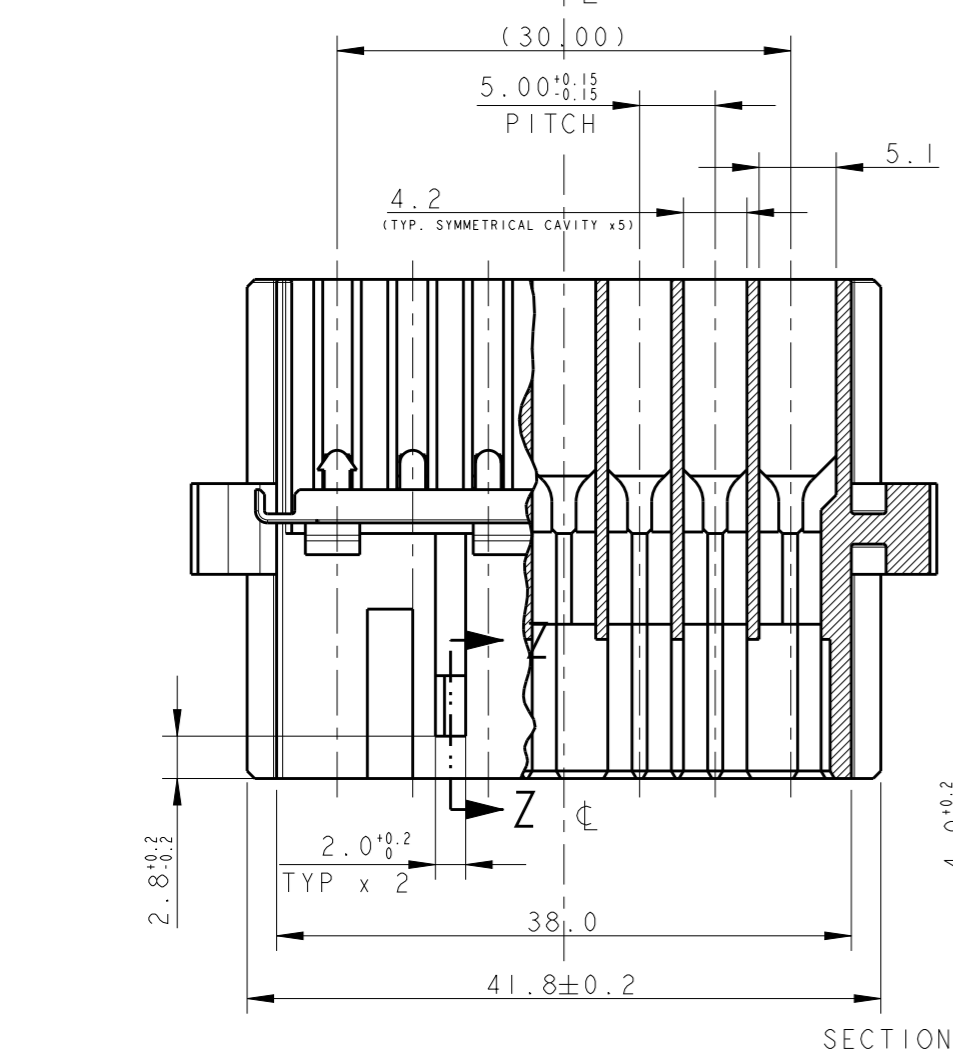
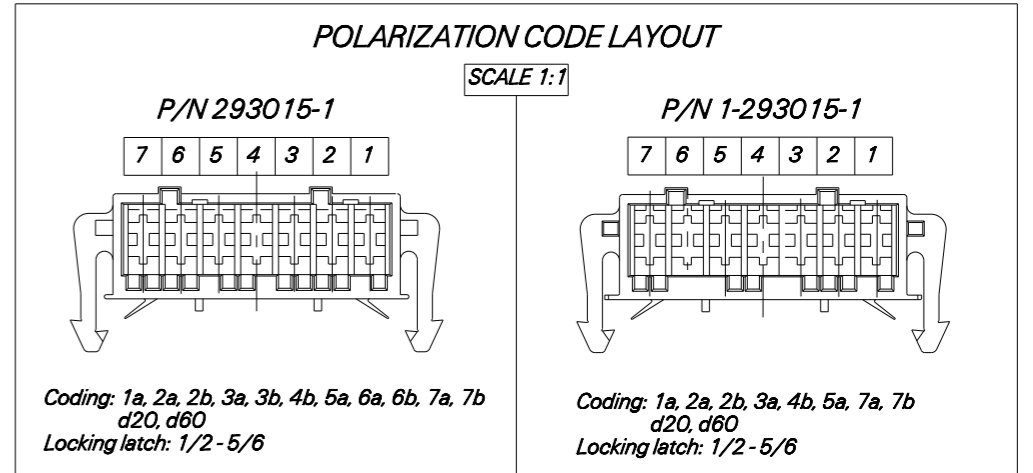
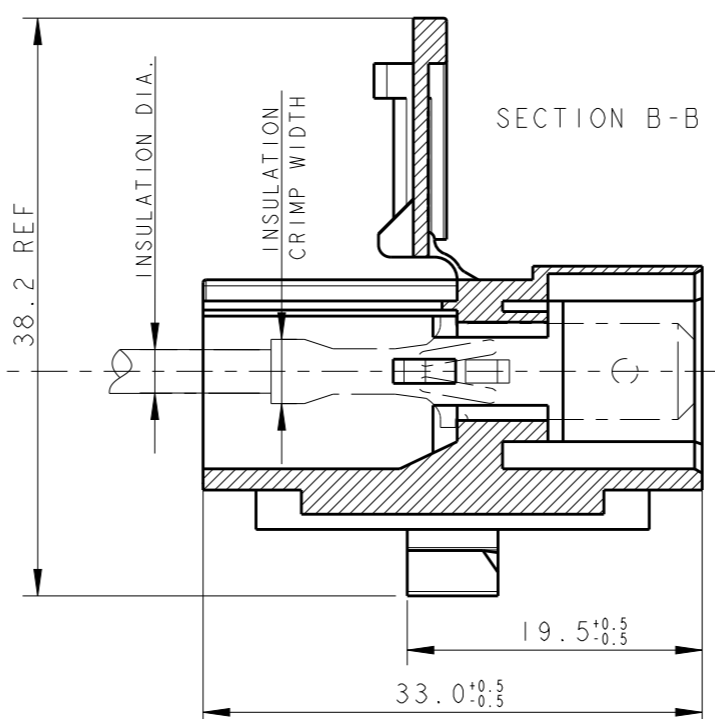
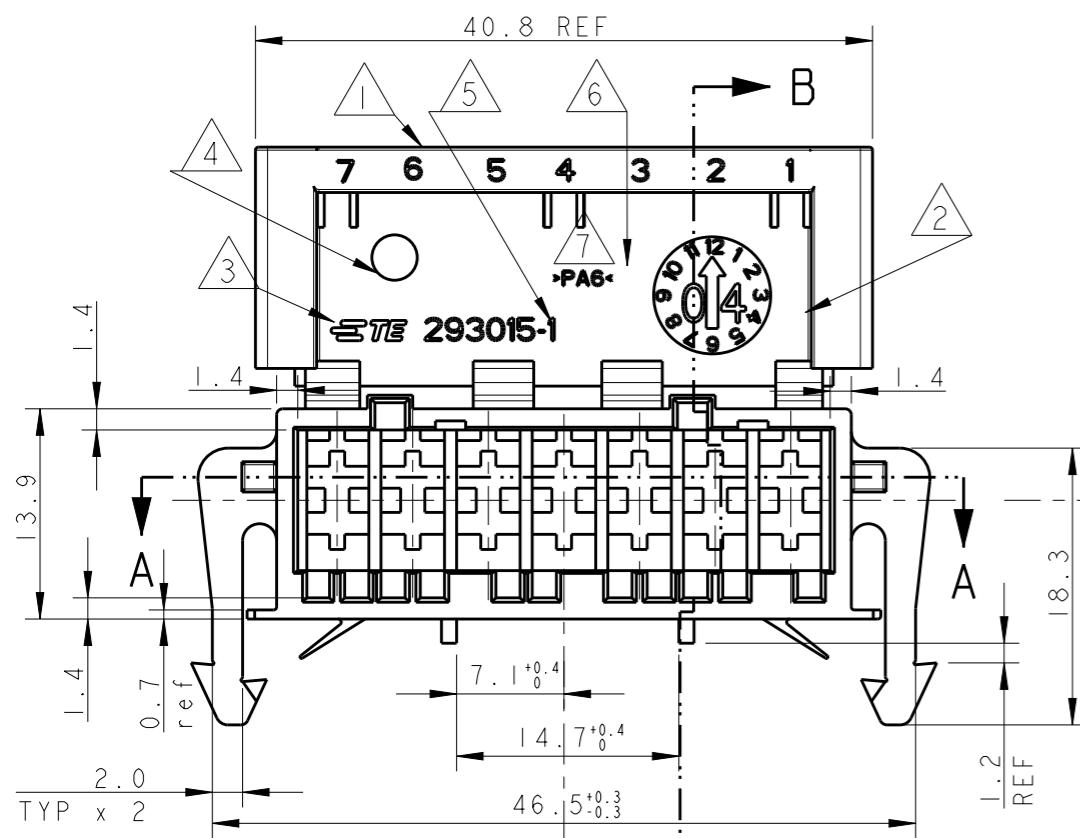
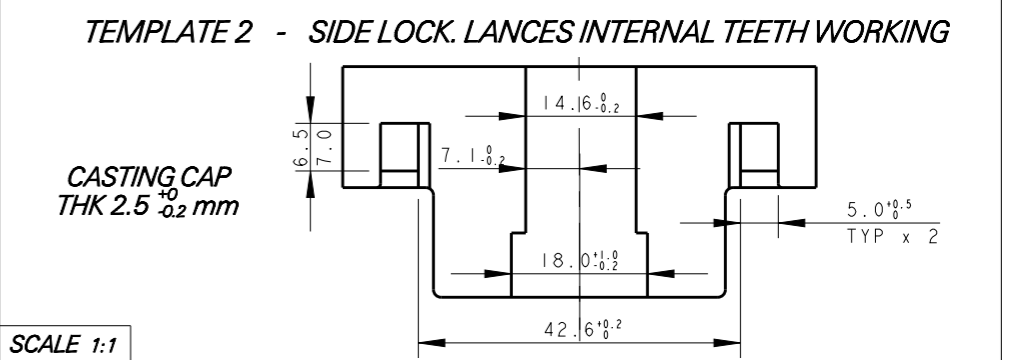
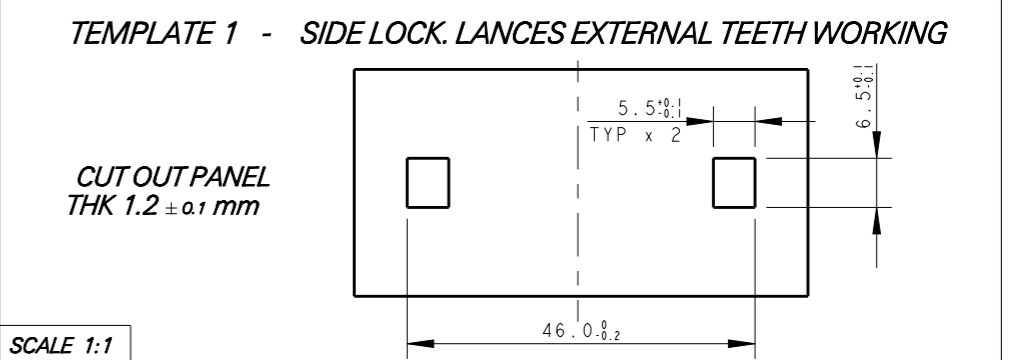


LOC	DIST	REVISIONS			
P	LTR	DESCRIPTION	DATE	DWN	APVD
		C	ADDED RIB, ECR-07-02275	05FEB2008	HY GT
		C1	ECR-16-008957	21JUN2016	KD RR
		C2	ECR-16-010726	29JUL2016	KD RR
		C3	ECR-16-012006	29AUG2016	KD RR



- NOTES:
- ① CIRCUIT IDENTIFICATION NUMBERS 1 TO 7, BOTH SIDES
  - ② DATE CODE
  - ③ TRADEMARK
  - ④ MOULD CAVITY IDENTIFICATION
  - ⑤ TE - AMP P/N
  - ⑥ RAW MATERIAL CODE
  - ⑦ MATERIAL: PA6 UNFILLED NATURAL COLOR, ACCORDING TO IEC 60335-1 NORM
- 8) CONNECTOR HOUSING SUITABLE FOR MATING WITH:  
 (PROPERLY CODED WITH RELEVANT APPLICATION MACHINE)
- AMP MONOSHAP Mark I TAB CONNECTOR, P/N 1-293004-7
  - AMP MULTIFITTING Mark I TAB CONNECTOR, P/N 0-928103-7
  - AMP MULTIFITTING Mark II TAB CONNECTOR, P/N 0-1241170-7
- 9) CAVITIES SUITABLE FOR .250" SERIES FAST-IN-ON TAB CONTACT ACCORDING TO NORM "DIN 46 343"  
 MAX INS. DIA.: 2.8 mm; MAX INS. CRIMP WIDTH: 3.3 mm
- 10) HOOD TYP. THK.: 1.4 mm (EXCEPT AS PER SEC. Z-Z - DETAIL -)
- ① PRELIMINARY - NOT YET PRODUCTION



REV.	Tyco P/N
C	293015-1
C	1-293015-1

P/N 293015-1 AS SHOWN

THIS DRAWING IS A CONTROLLED DOCUMENT FOR TYCO ELECTRONICS CORPORATION. IT IS SUBJECT TO CHANGE AND THE CONTROLLING ENGINEERING ORGANIZATION SHOULD BE CONTACTED FOR THE LATEST REVISION.

DWN	U. AIME	23FEB2004
CHK	G. TURCO	23FEB2004
APVD	G. TURCO	23FEB2004
PRODUCT SPEC	108-20247	
APPLICATION SPEC	-	
WEIGHT	-	

NAME: 7 POSITION TAB HOUSING FOR MOTOR MOUNTING

SIZE	CAGE CODE	DRAWING NO	RESTRICTED TO
A3	00779	C-293015	-

CUSTOMER DRAWING SCALE: 1:1 SHEET 1 OF 2 REV C3

4

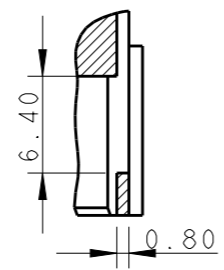
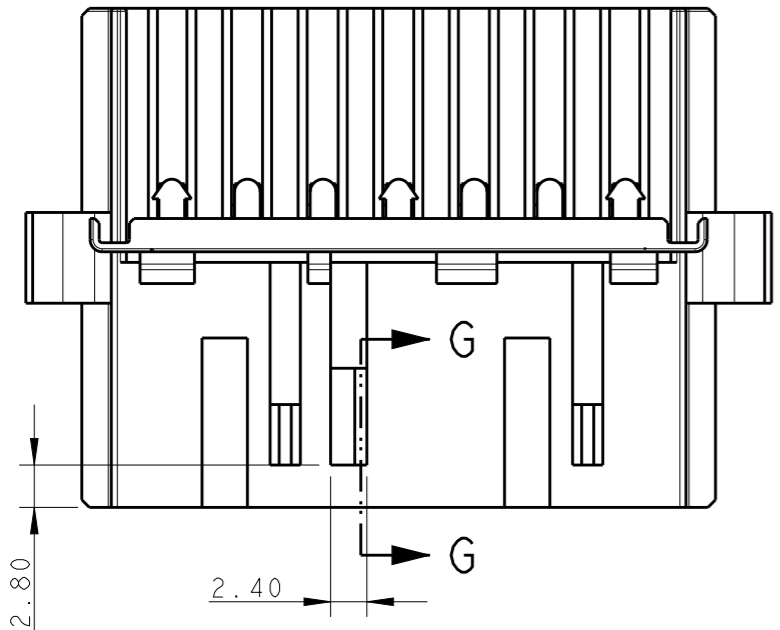
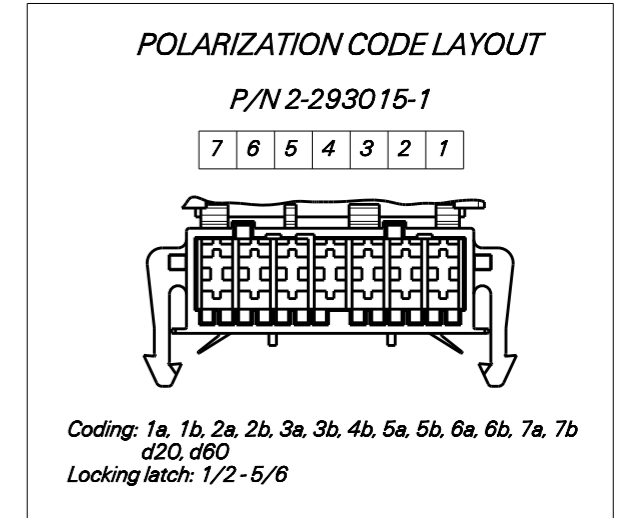
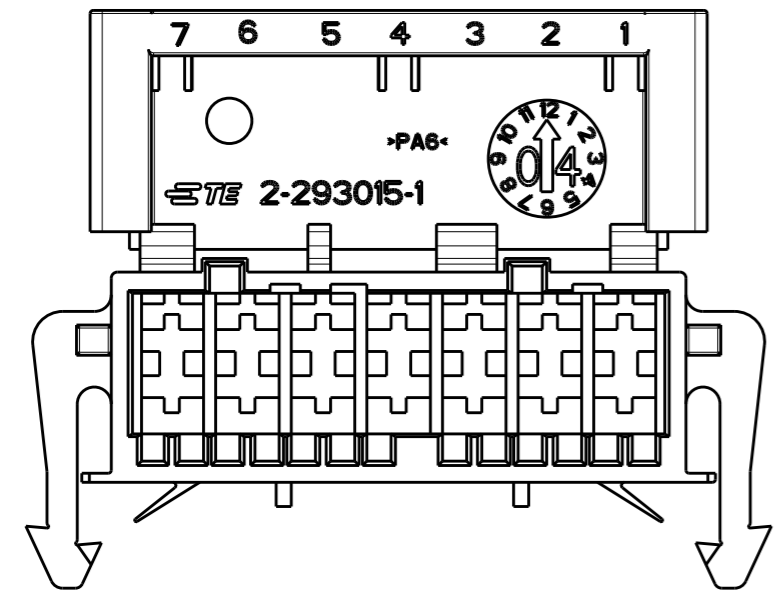
3

2

1

THIS DRAWING IS UNPUBLISHED. RELEASED FOR PUBLICATION 2003  
 © COPYRIGHT 2003 BY BY TYCO ELECTRONICS CORPORATION. ALL RIGHTS RESERVED.

LOC	DIST	REVISIONS					
		P	LTR	DESCRIPTION	DATE	DWN	APVD
		-		SEE SHEET 1	-	-	-



SECTION G - G

P/N 2-293015-1 AS SHOWN  
 ONLY FOR 2-293015-1  
 OTHER DIMENSIONS NEED TO FOLLOW SHEET 1

REV.	TE P/N
C	2-293015-1

<small>THIS DRAWING IS A CONTROLLED DOCUMENT FOR TYCO ELECTRONICS CORPORATION          IT IS SUBJECT TO CHANGE AND THE CONTROLLING ENGINEERING ORGANIZATION          SHOULD BE CONTACTED FOR THE LATEST REVISION.</small>		DWN U. AIME 23FEB2004 CHK G. TURCO 23FEB2004 APVD G. TURCO 23FEB2004		TE Connectivity	
DIMENSIONS: mm 		TOLERANCES UNLESS OTHERWISE SPECIFIED: 0 PLC ±- 1 PLC ±0.3 2 PLC ±- 3 PLC ±- 4 PLC ±- ANGLES ±1°			
MATERIAL SEE NOTE 		FINISH - WEIGHT -		SIZE A3 CAGE CODE 00779 DRAWING NO C-293015 RESTRICTED TO -	
CUSTOMER DRAWING				SCALE 2:1 SHEET 2 OF 2 REV C3	