

# MODULAR CONNECTORS

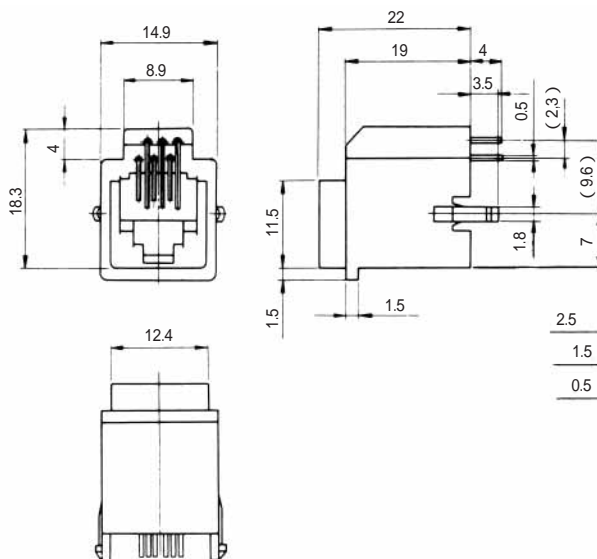
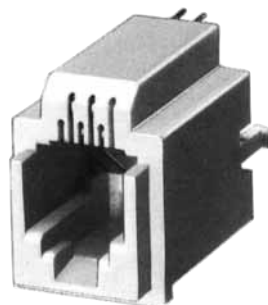
Dip Type

CL 222 TM

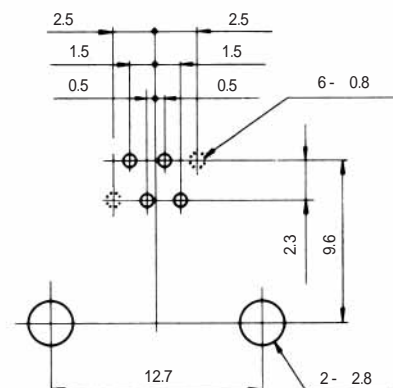
Straight Dip Type

TM3R-6-\*(50)

| CL No.        | Part No.    | RoHS |
|---------------|-------------|------|
| 222-0114-3-50 | TM3R-66(50) | YES  |
| 222-0071-2-50 | TM3R-64(50) |      |



PCB mounting hole layout  
(Connector mounting side)

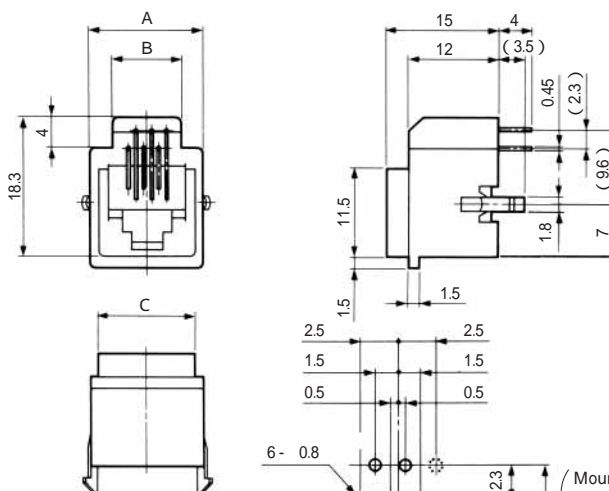
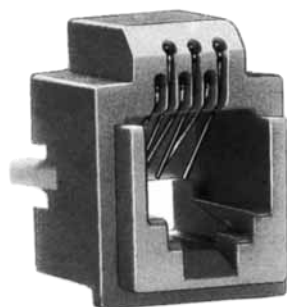


Note1: Standard finish color is vanilla white.

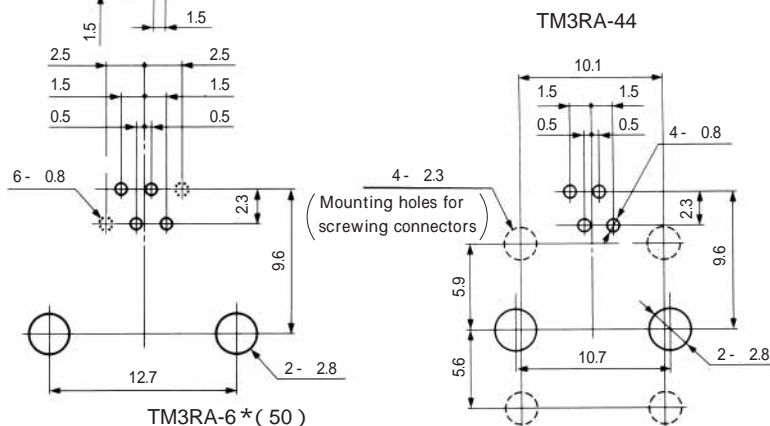
Note2: The drawing is shown sample of TM3R-66(50).

TM3RA-\*(50)

| CL No.        | Part No.     | A    | B   | C    | RoHS |
|---------------|--------------|------|-----|------|------|
| 222-0521-7-50 | TM3RA-44(50) | 12.9 | 6.9 | 10.4 | YES  |
| 222-0567-8-50 | TM3RA-62(50) | 14.9 | 8.9 | 12.4 |      |
| 222-0584-7-50 | TM3RA-64(50) | 14.9 | 8.9 | 12.4 |      |
| 222-0770-1-50 | TM3RA-66(50) | 14.9 | 8.9 | 12.4 |      |



PCB mounting hole layout  
(Connector mounting side)



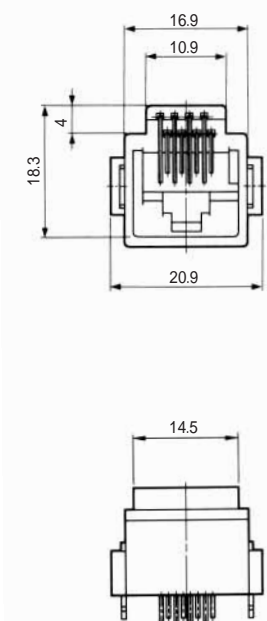
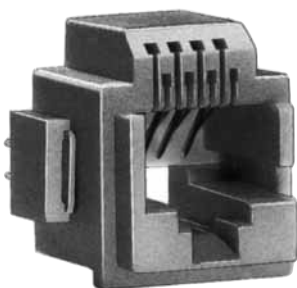
Note1: Standard finish color is vanilla white.

Note2: The drawing is shown sample of TM3RA-66(50).

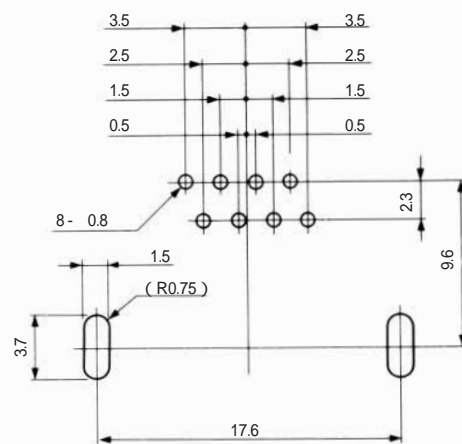
# MODULAR CONNECTORS

CL 222 TM

## TM3RA-88( 50 )



PCB mounting hole layout  
(Connector mounting side)



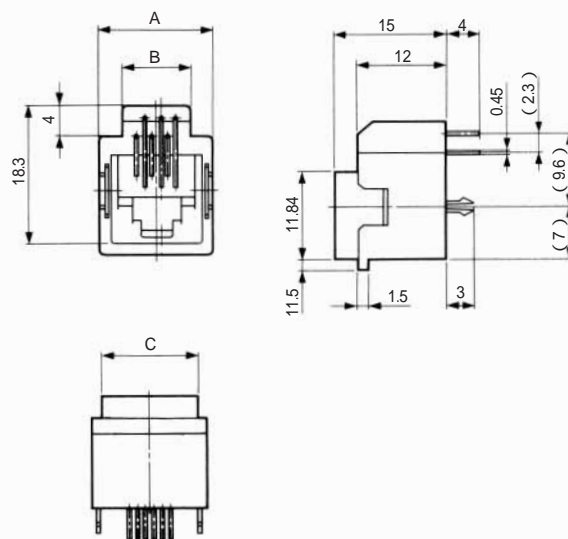
| CL No.        | Part No.       | RoHS |
|---------------|----------------|------|
| 222-1012-9-50 | TM3RA-88( 50 ) | YES  |

Note1: ( 50 )Stick packaging... 27 units.

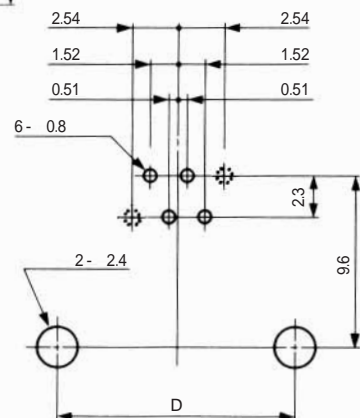
Note2: Standard finish color is vanilla white.

## TM3RA1- \* \*( \* \* )

| CL No.        | Part No.        | A    | B   | C    | D  | RoHS |
|---------------|-----------------|------|-----|------|----|------|
| 222-1374-0-67 | TM3RA1-44( 67 ) | 12.9 | 6.9 | 10.4 | 11 | YES  |
| 222-1375-2-60 | TM3RA1-62( 60 ) | 14.9 | 8.9 | 12.4 | 13 |      |
| 222-1376-5-67 | TM3RA1-64( 67 ) | 14.9 | 8.9 | 12.4 | 13 |      |
| 222-1377-8-67 | TM3RA1-66( 67 ) | 14.9 | 8.9 | 12.4 | 13 |      |



PCB mounting hole layout  
(Connector mounting side)



Note1:( 67 )Stick packaging, type 44 .... 42 units.  
 type 6 \* ... 36 units.

Note2: Standard finish color is black.

Note3: The drawing is shown sample of TM3RA1-66( 67 ).

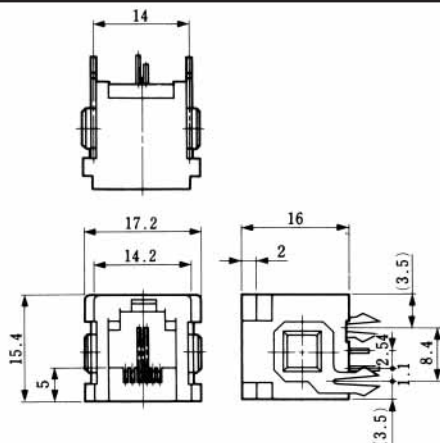
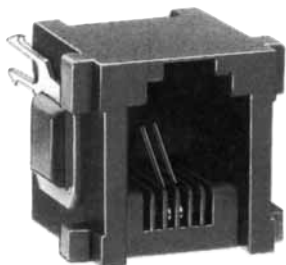
# MODULAR CONNECTORS

CL 222 TM

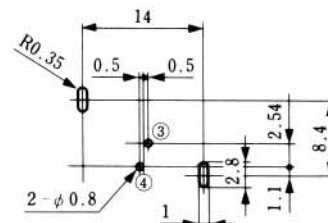
## Gang-Jacks Straight Dip Type

TM2RE-06 \* \*( 50 )

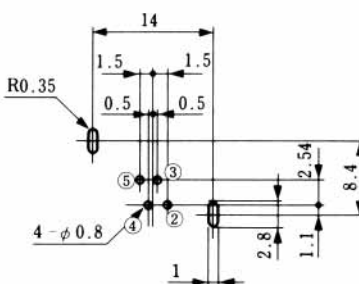
| CL No.        | Part No.         | RoHS |
|---------------|------------------|------|
| 222-1286-4-50 | TM2RE-0602( 50 ) | YES  |
| 222-1391-9-50 | TM2RE-0604( 50 ) |      |
| 222-1422-0-50 | TM2RE-0606( 50 ) |      |



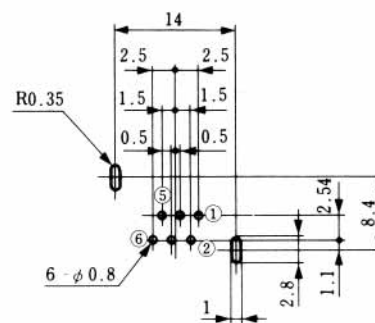
PCB mounting hole layout  
(Connector mounting side)



TM2RE-0602( 50 )



TM2RE-0604( 50 )



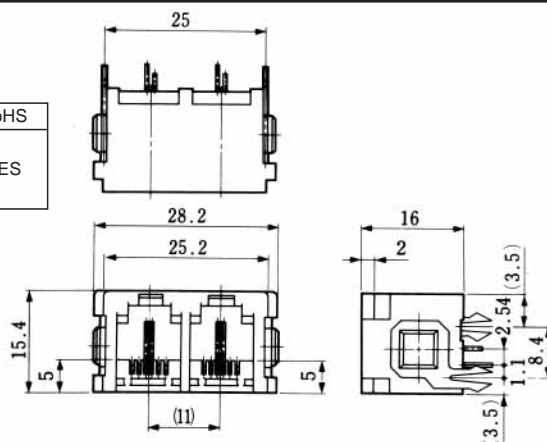
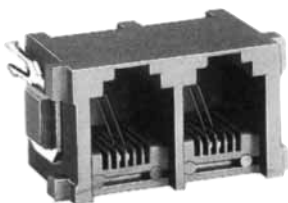
TM2RE-0606( 50 )

Note 1: Standard finish color is gray.

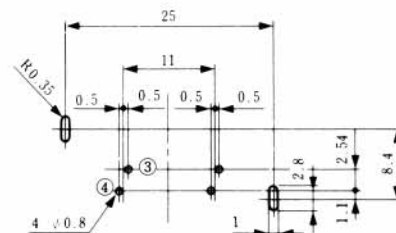
Note 2: The drawing is shown sample of TM2RE-0602( 50 ).

TM2RE-12 \* \*( 50 )

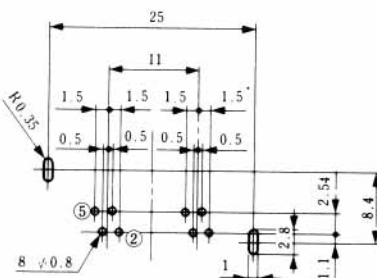
| CL No.        | Part No.         | RoHS |
|---------------|------------------|------|
| 222-0592-5-50 | TM2RE-1204( 50 ) | YES  |
| 222-0756-0-50 | TM2RE-1208( 50 ) |      |
| 222-0757-3-50 | TM2RE-1212( 50 ) |      |



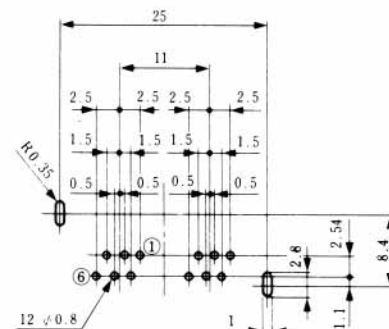
PCB mounting hole layout  
(Connector mounting side)



TM2RE-1204( 50 )



TM2RE-1208( 50 )



TM2RE-1212( 50 )

Note 1: Standard finish color is gray.

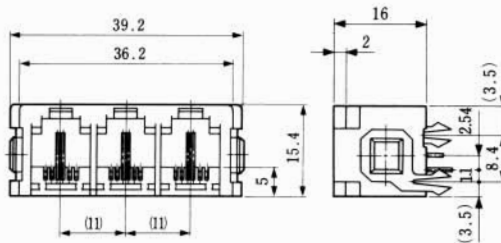
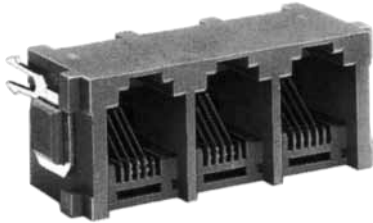
Note 2: The drawing is shown sample of TM2RE-1204( 50 ).

# MODULAR CONNECTORS

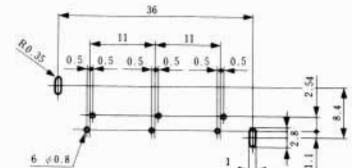
CL 222 TM

## TM2RE-18 \* \*( 50 )

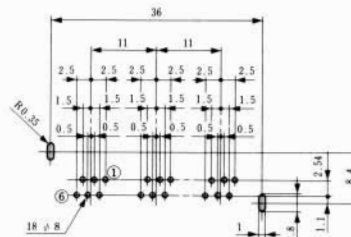
| CL No.        | Part No.         | RoHS |
|---------------|------------------|------|
| 222-0591-2-50 | TM2RE-1806( 50 ) | YES  |
| 222-0753-2-50 | TM2RE-1812( 50 ) |      |
| 222-0796-5-50 | TM2RE-1818( 50 ) |      |



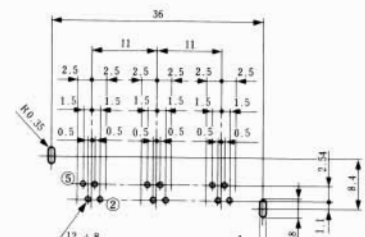
PCB mounting hole layout  
(Connector mounting side)



TM2RE-1806( 50 )



TM2RE-1818( 50 )



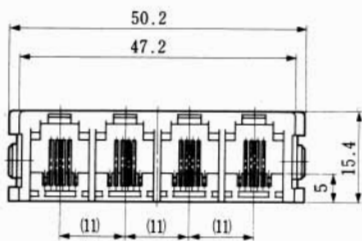
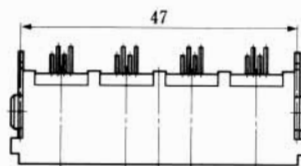
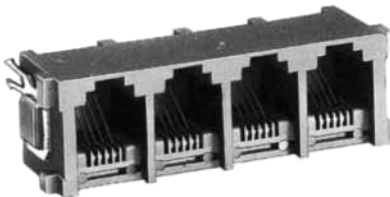
TM2RE-1812( 50 )

Note 1: Standard finish color is gray.

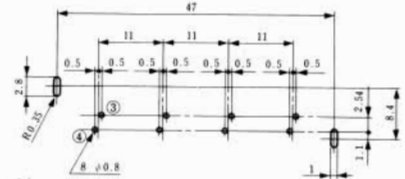
Note 2: The drawing is shown sample of TM2RE-1806( 50 ).

## TM2RE-24 \* \*( 50 )

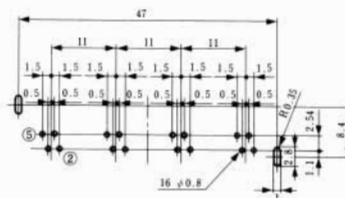
| CL No.        | Part No.         | RoHS |
|---------------|------------------|------|
| 222-0797-8-50 | TM2RE-2408( 50 ) | YES  |
| 222-0590-0-50 | TM2RE-2416( 50 ) |      |
| 222-0751-7-50 | TM2RE-2424( 50 ) |      |



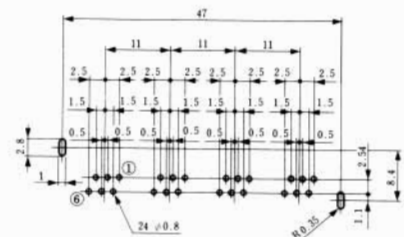
PCB mounting hole layout (Connector mounting side)



TM2RE-2408( 50 )



TM2RE-2416( 50 )



TM2RE-2424( 50 )

Note 1: Standard finish color is gray.

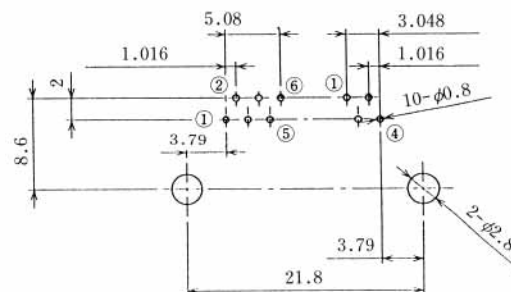
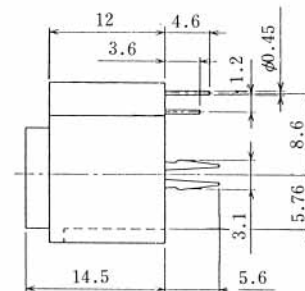
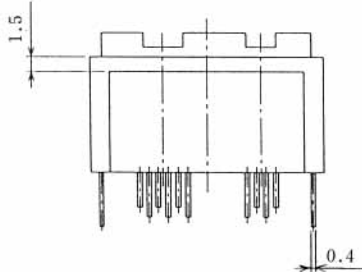
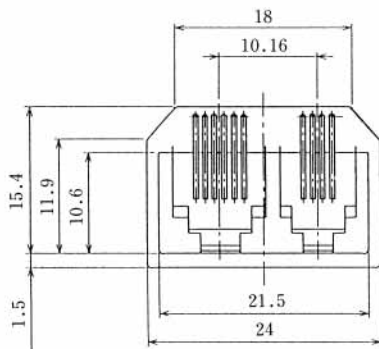
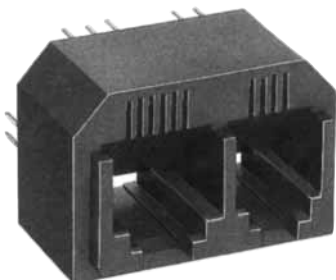
Note 2: The drawing is shown sample of TM2RE-2416( 50 ).

# MODULAR CONNECTORS

CL 222 TM

## TM3RA1-1010A( 50 )

| CL No.        | Part No.           | RoHS |
|---------------|--------------------|------|
| 222-2526-1-50 | TM3RA1-1010A( 50 ) | YES  |

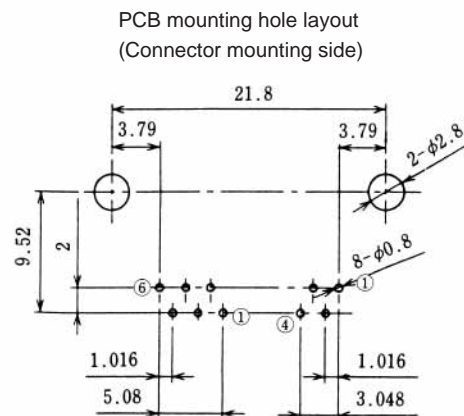
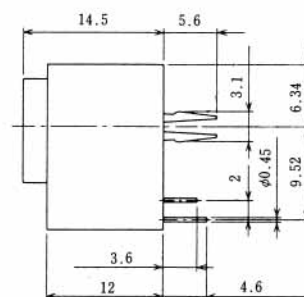
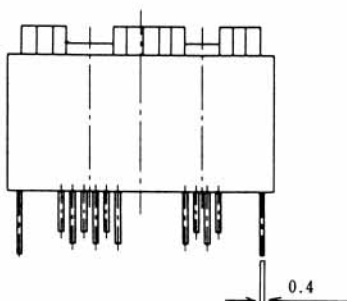
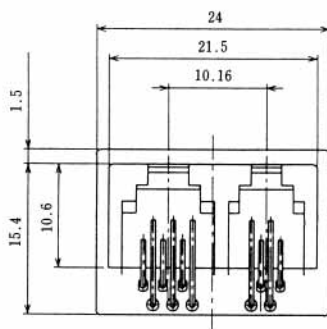
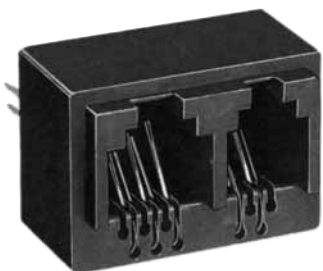


PCB mounting hole layout  
(Connector mounting side)

Note : Standard finish color is black.

## TM3RB1-1010( 50 )

| CL No.        | Part No.          | RoHS |
|---------------|-------------------|------|
| 222-2598-2-50 | TM3RB1-1010( 50 ) | YES  |



PCB mounting hole layout  
(Connector mounting side)

Note : Standard finish color is black.