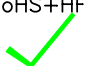


NOTES: UNLESS OTHERWISE SPECIFIED

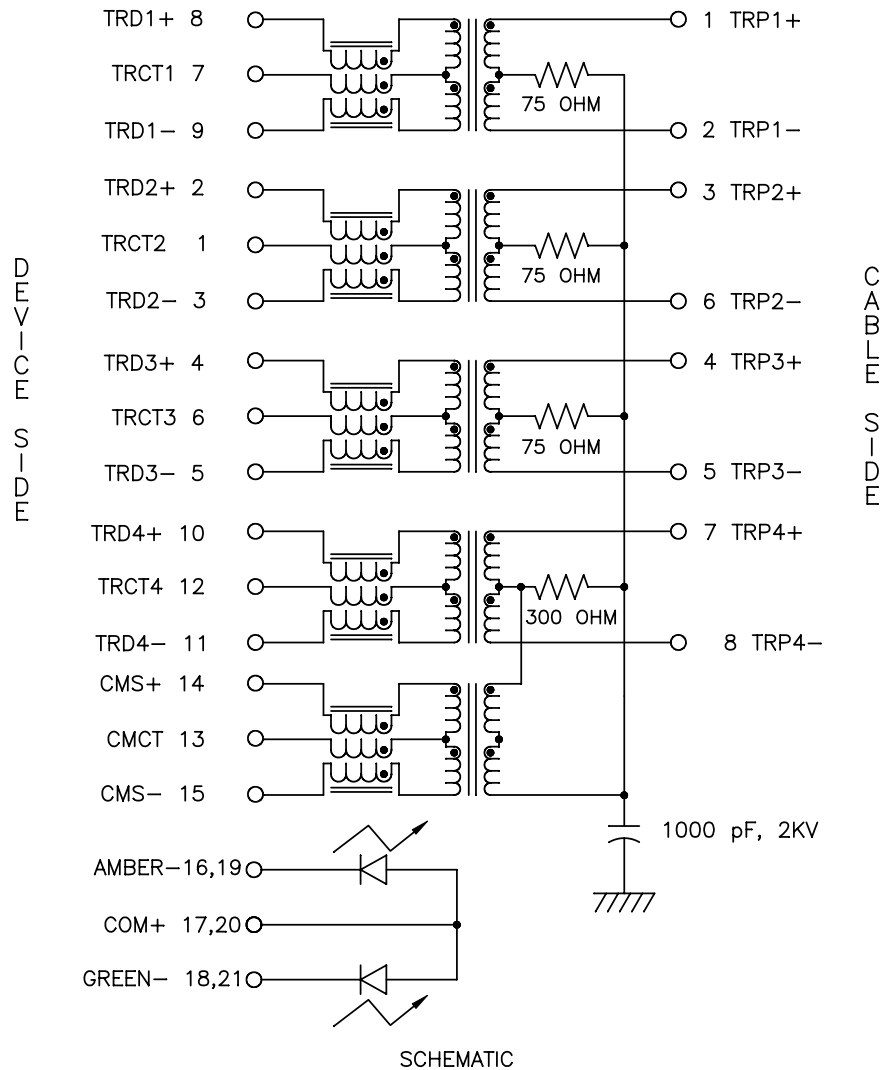
1.

NOTICE:	THIS IS A RoHS COMPLIANT AND HALOGEN-FREE COMPONENT/PRODUCT.
RoHS+HF 	

2. PLASTIC HOUSING: THERMOPLASTIC MATERIAL WITH FLAMMABILITY RATING UL 94V-0 OR BETTER.
3. CONTACT BASE MATERIAL: PHOSPHOR BRONZE.
4. CONTACTS UNDERPLATE: 50 MICROINCHES DUCTILE NICKEL.
5. CONTACTS PLATING: 50 MICRO-INCH GOLD PLATING.
6. SOLDER TAIL PLATING MATERIAL: 200-500 μINCHES 100% TIN, MATTE FINISH.
7. METAL SHIELD: NICKEL PLATING ON COPPER ALLOY.
8. JACK CAVITY CONFORMS TO FCC RULES AND REGULATIONS PART 68 SUBPART F.
9. PCB PLATING: EG.
10. SOLDERABILITY: CONFORMS TO ANSI/J-STD-002, IPC/EIA J-STD-003A.
11. OPERATING TEMPERATURE: 0°C TO +70°C
12. STORAGE TEMPERATURE: -20°C TO +125°C
13. JEDEC MOISTURE: LEVEL 1.
14. REVISION: MX1, MX2, ..... ARE PRELIMINARY.

© Copyright, 2011. Pulse Electronics, Inc. All rights reserved. Drawing specifications subject to change without notice. (8/1/11)

PULSE CONFIDENTIAL & PROPRIETARY	PRODUCT DESCRIPTION	PS DRAWING	SHEET:	DWG. NO./ PART NO.	REV.
	CONN,RJ45,1X1,10G,CMS	PS-2615.002-B	1	JT4-1109HL	M10



SCHEMATIC

ELECTRICAL CHARACTERISTICS AT +25°C UNLESS OTHER SPECIFIED

PARAMETER	SPECIFICATIONS		
OPERATING TEMP	0°C TO +70°C		
TURNS RATIO	1.00 ± 2%		
POLARITY	PER SCHEMATIC		
INSERTION LOSS (DATA CHANNELS)	100 KHz	1-400 MHz	
	-3.0 dB MAX	-2.0 dB MAX (-1.4 dB TYP)	
INSERTION LOSS (CM SENSE CHANNELS)	3-500 MHz		
	-5.0 dB MAX (-4 dB TYP)		
RETURN LOSS (Z OUT = 100 OHM ± 1%)	1-100 MHz	100 MHz-500 MHz	
	-22 dB MIN	-22 + 18.27*LOG (f/100)	
INDUCTANCE (OCL)	180 uH MIN @ 100 kHz, 100 mV		
CROSSTALK, ADJACENT CHANNELS	1-100 MHz	100-500 MHz	
	-28 dB MIN	-19 dB MIN	
COMMON MODE REJECTION RATIO	1-100 MHz	100-300 MHz	300-500 MHz
	-35 dB MIN	-30 dB MIN	-25 dB MIN
COMMON TO DIFFERENTIAL MODE REJECTION (CDMR)	1-250 MHz		250-500 MHz
	-30 dB MIN		-22 dB MIN
INPUT - OUTPUT ISOLATION	2250 VDC MIN @ 60 SECONDS		

NOTE: f IS FREQUENCY IN MHZ.

EMMITTED COLOR	GREEN	AMBER
WAVELENGTH (nm)	570	607
POWER DISSIPATION (Pd)	105 mW MAX	105 mW MAX
DC FORWARD CURRENT	25 mA MAX	30 mA MAX
FORWARD VOLTAGE (VF) @20mA	2.2 V TYP	2.1 V TYP

BICOLOR

NOTE: PER VENDOR'S SPECIFICATION

© Copyright, 2011. Pulse Electronics, Inc. All rights reserved. Drawing specifications subject to change without notice. (8/1/11)

PULSE CONFIDENTIAL  
&  
PROPRIETARY

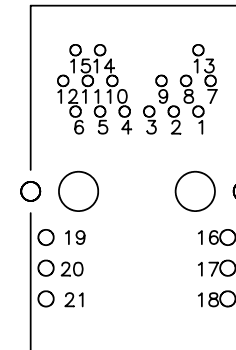
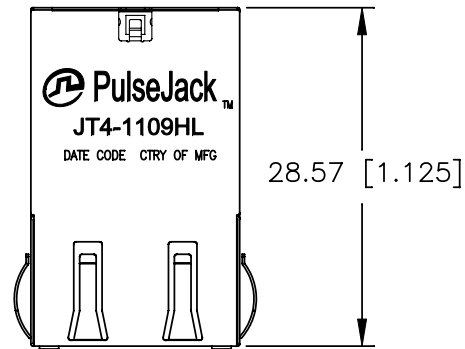
PRODUCT DESCRIPTION  
CONN,RJ45,1X1,10G,CMS

PS DRAWING  
PS-2615.002-B

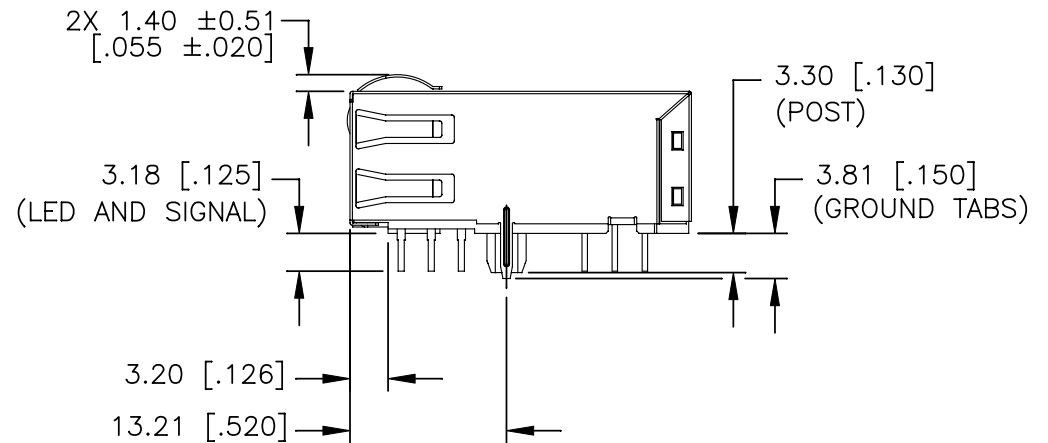
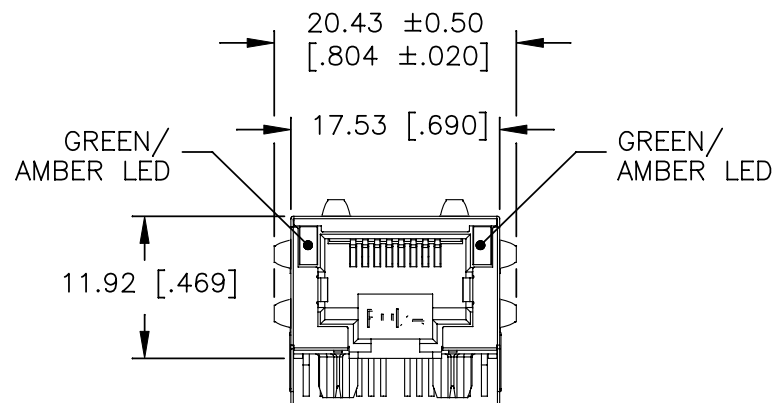
SHEET:  
2

DWG. NO./ PART NO.  
JT4-1109HL

REV.  
M10



PIN ASSIGNMENT, VIEWED FROM COMPONENT SIDE

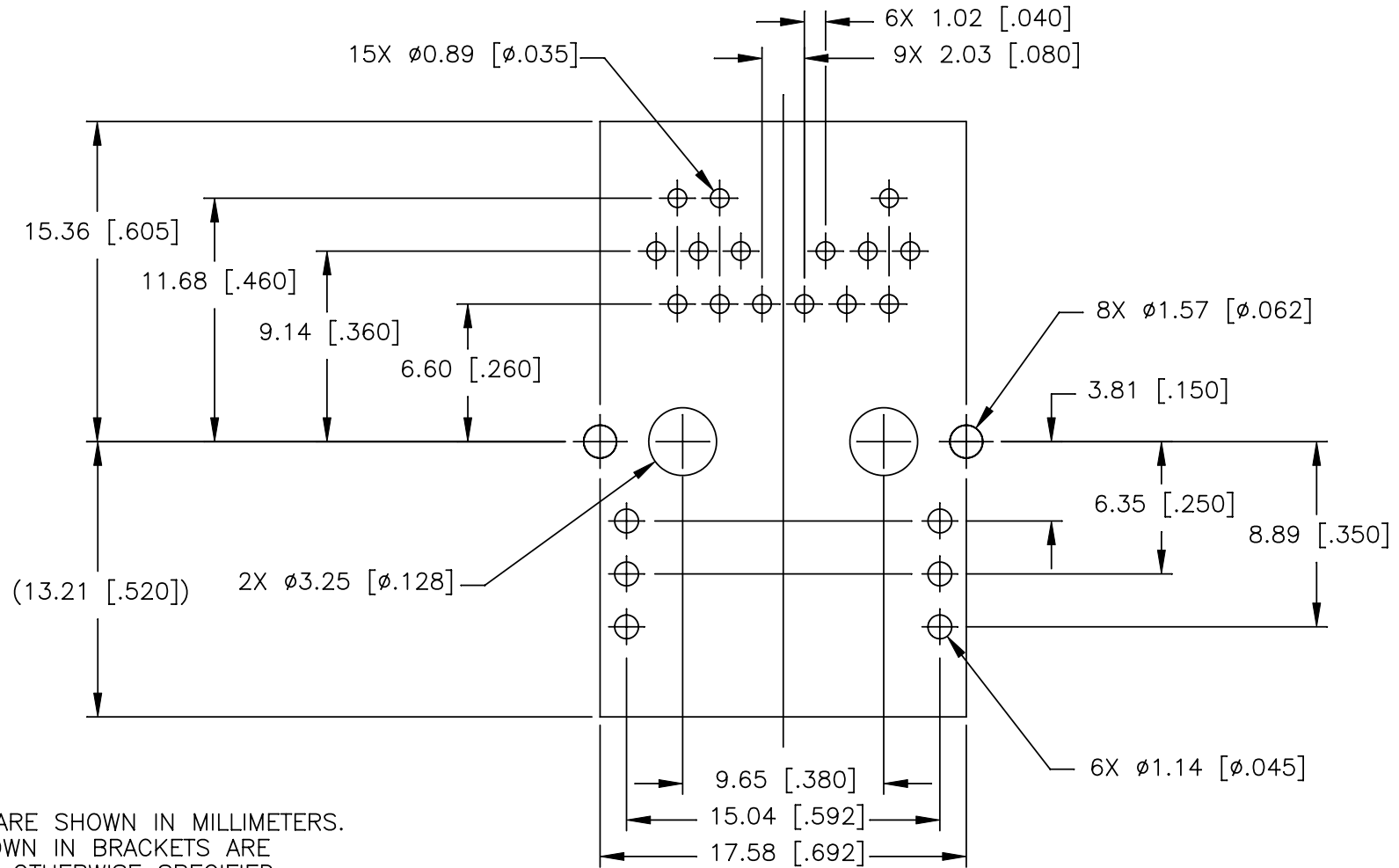


ALL DIMENSION ARE SHOWN IN MILLIMETERS.  
DIMENSIONS SHOWN IN BRACKETS ARE  
INCHES. UNLESS OTHERWISE SPECIFIED,  
THE FOLLOWING TOLERANCES APPLY:

X.XX [.XXX] = ±0.25 [±.010]

© Copyright, 2011. Pulse Electronics, Inc. All rights reserved. Drawing specifications subject to change without notice. (8/1/11)

PULSE CONFIDENTIAL & PROPRIETARY	PRODUCT DESCRIPTION	PS DRAWING	SHEET:	DWG. NO./ PART NO.	REV.
	CONN,RJ45,1X1,10G,CMS	PS-2615.002-B	3	JT4-1109HL	M10



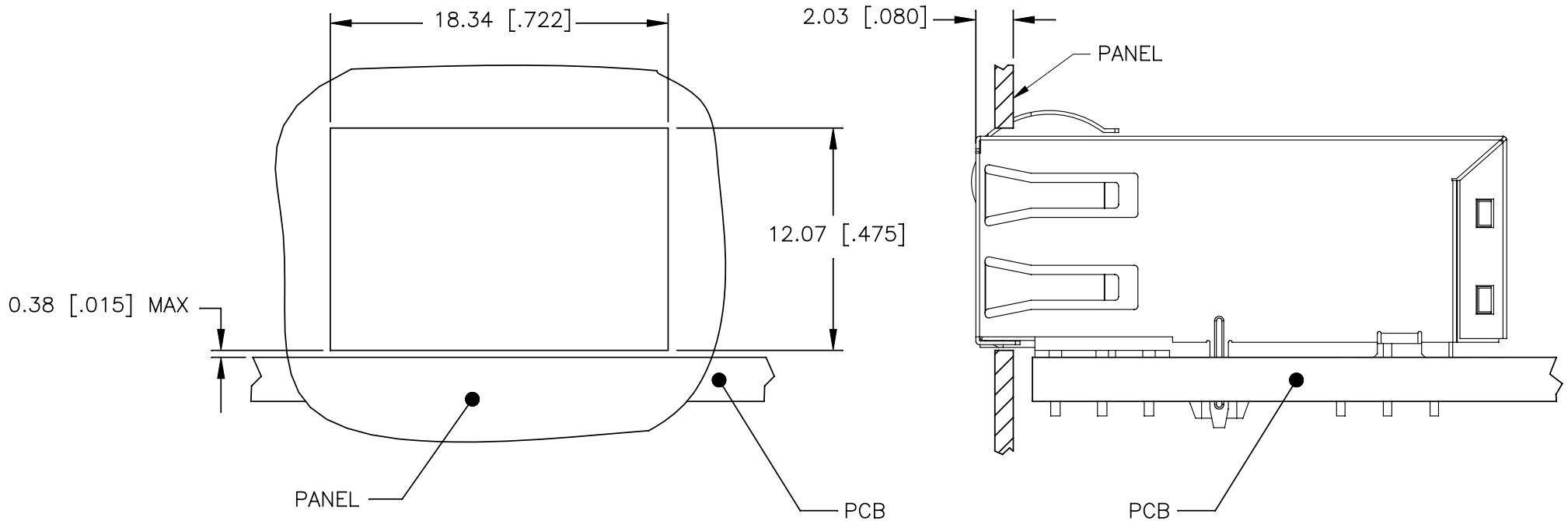
ALL DIMENSION ARE SHOWN IN MILLIMETERS.  
DIMENSIONS SHOWN IN BRACKETS ARE  
INCHES. UNLESS OTHERWISE SPECIFIED,  
THE FOLLOWING TOLERANCES APPLY:

X.XX [.XXX] =  $\pm 0.08$  [ $\pm 0.003$ ]

SUGGESTED FOOTPRINT (COMPONENT SIDE SHOWN)

© Copyright, 2011. Pulse Electronics, Inc. All rights reserved. Drawing specifications subject to change without notice. (8/1/11)

PULSE CONFIDENTIAL & PROPRIETARY	PRODUCT DESCRIPTION	PS DRAWING	SHEET:	DWG. NO./ PART NO.	REV.
	CONN,RJ45,1X1,10G,CMS	PS-2615.002-B	4	JT4-1109HL	M10



SUGGESTED PANEL CUTOUT

ALL DIMENSION ARE SHOWN IN MILLIMETERS.  
 DIMENSIONS SHOWN IN BRACKETS ARE  
 INCHES. UNLESS OTHERWISE SPECIFIED,  
 THE FOLLOWING TOLERANCES APPLY:

X.XX [.XXX] = ±0.10 [±.004]

© Copyright, 2011. Pulse Electronics, Inc. All rights reserved. Drawing specifications subject to change without notice. (8/1/11)

PULSE CONFIDENTIAL & PROPRIETARY	PRODUCT DESCRIPTION	PS DRAWING	SHEET:	DWG. NO./ PART NO.	REV.
	CONN,RJ45,1X1,10G,CMS	PS-2615.002-B	5	JT4-1109HL	M10