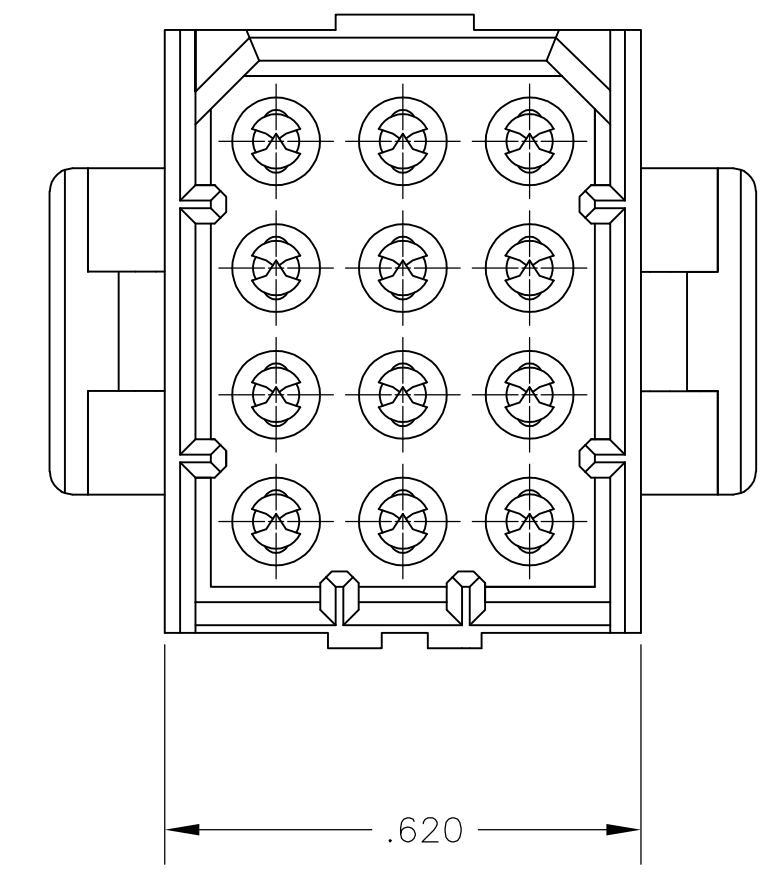
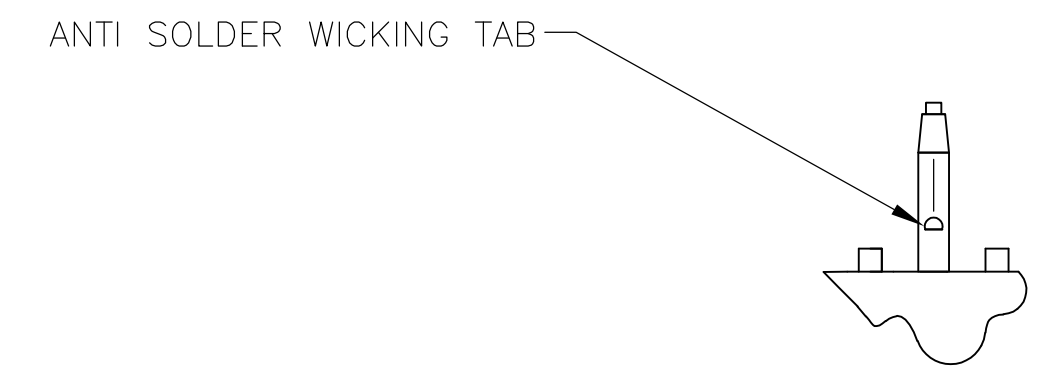
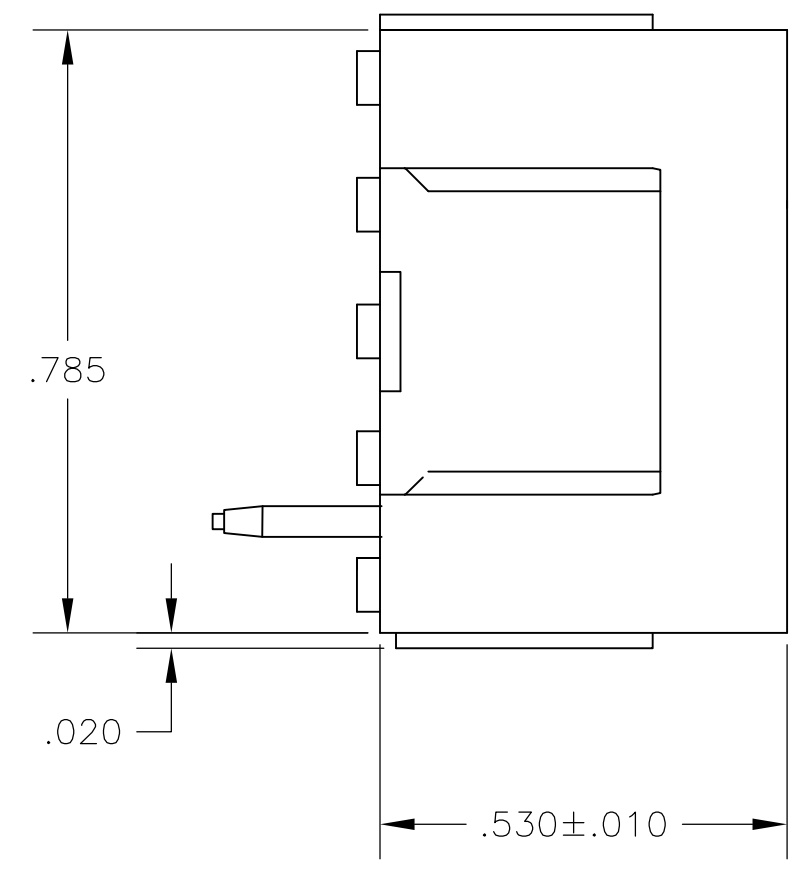
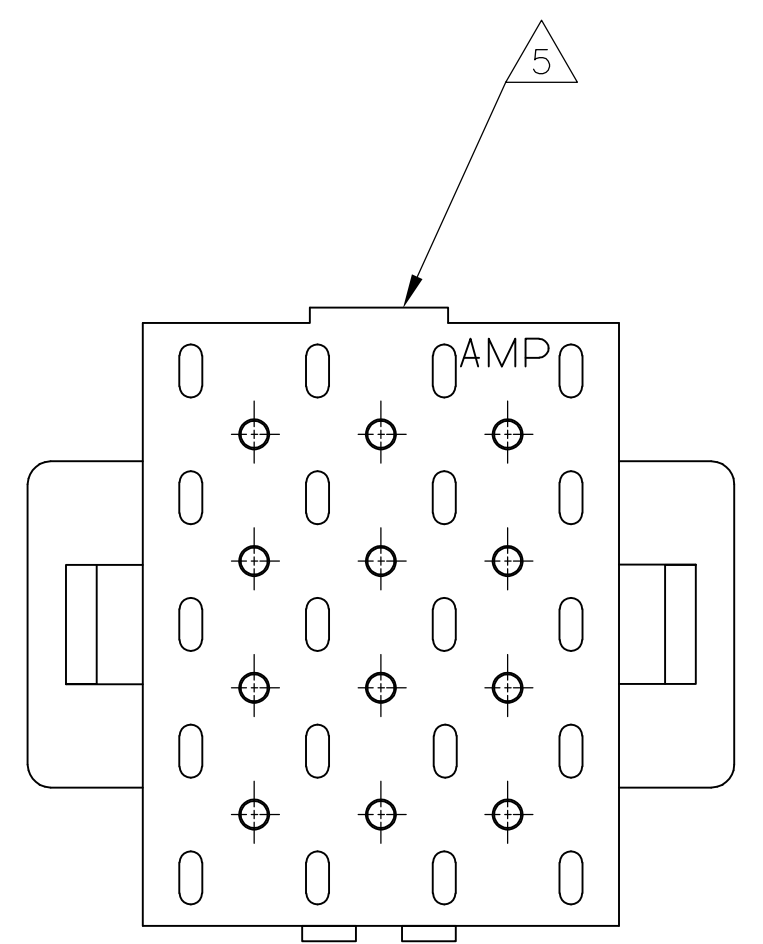
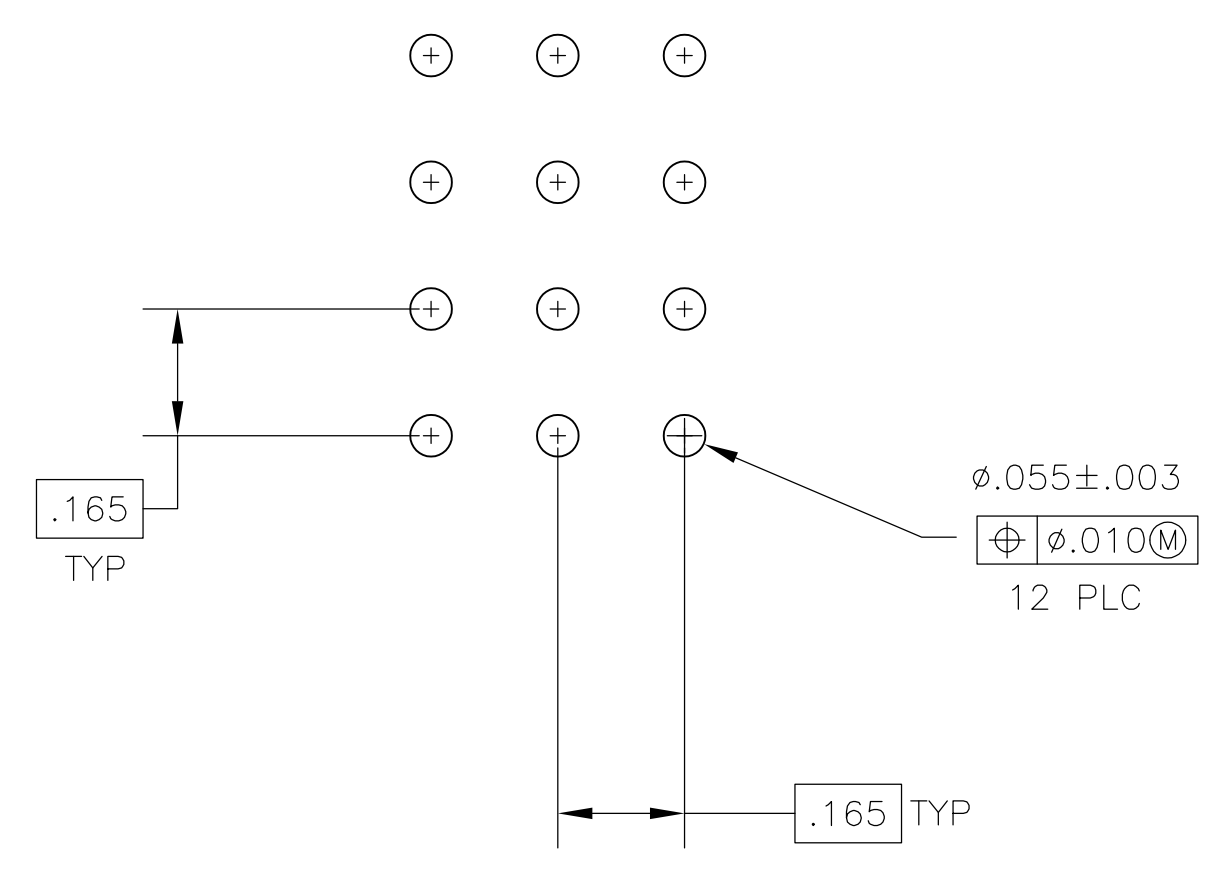


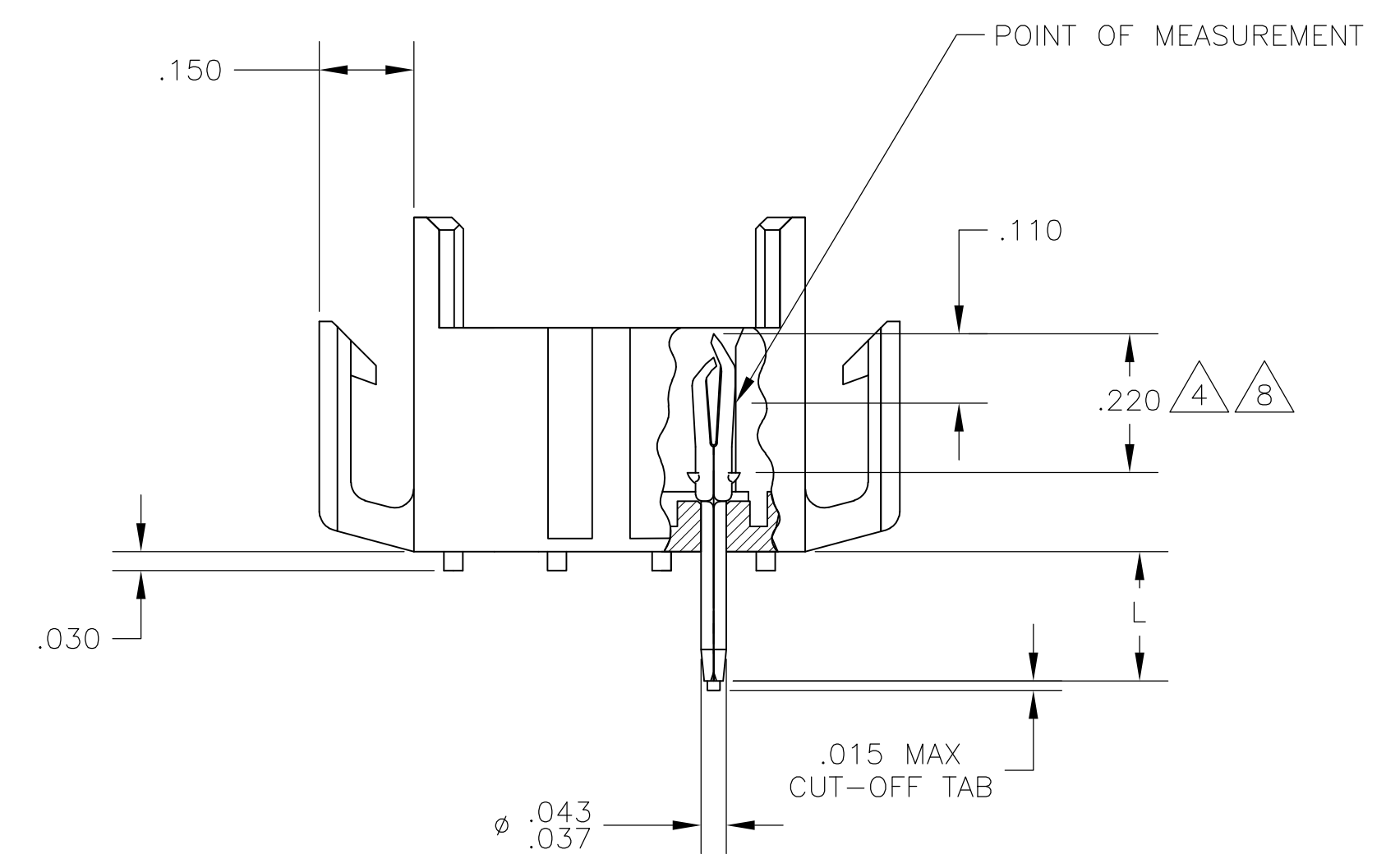
LOC	DIST	REVISIONS				
CM	0	REV	DESCRIPTION	DATE	BY	APP'D
S		EC 063B 0249 05		27SEP05	BSV	RCJ
S1		REVISED PER ECO-10-000443		15JAN10	KK	AEG



- FITS SOCKET HOUSING 640522.
- ASSEMBLY CONFORMS TO AMP SOLDERABILITY SPEC. 109-11-3.
- FOR USE WITH .063 THICK P.C. BOARD.
- CONTACT IS PLATED OVERALL WITH .000050 NICKEL, THEN .000030 GOLD OVER CONTACT LENGTH INDICATED AND .000150 MATTE TIN-LEAD ON SOLDER TAIL END.
- UL AND CSA LOGO LOCATED ON THIS SURFACE.
- FOR USE WITH .120 THICK P.C. BOARD.
- FOR USE WITH .093 THICK P.C. BOARD.
- CONTACT IS PLATED OVERALL WITH .000050 NICKEL, THEN .000030 GOLD OVER CONTACT LENGTH INDICATED AND .000150 MATTE TIN ON SOLDER TAIL END.
- OBSOLETE PARTS: OBSOLETE CIS STREAMLINING PER D.RENAUD/D.SINISI



RECOMMENDED P.C. BOARD LAYOUT



IN	MM	IN	MM	IN	MM	IN	MM
.010	0.25	.055	1.40	.210	5.33	-	-
.008	0.20	.043	1.09	.180	4.57	-	-
.005	0.13	.037	0.94	.165	4.19	.785	19.94
.003	0.08	.030	0.76	.150	3.81	.620	15.75
.000050	0.00127	.020	0.51	.110	2.79	.530	13.46
.000030	0.00076	.015	0.38	.063	1.60	.220	5.59

CONVERSION TABLE

REV	DESCRIPTION	DATE	BY	APP'D	
9	OBSOLETE				
	.180		BRICK RED	GOLD	2-640502-6
	.210		BRICK RED	GOLD	2-640502-4
	.150		BRICK RED	GOLD	2-640502-2
OBSOLETE	.180		BRICK RED	GOLD	640502-6
	.210		BRICK RED	GOLD	640502-4
	.210		BRICK RED	PRE-TIN	640502-3
	.150		BRICK RED	GOLD	640502-2
	.150		BRICK RED	PRE-TIN	640502-1
	"L" +.010 -.020		HOUSING COLOR	PIN FINISH	PART NUMBER

THIS DRAWING IS A CONTROLLED DOCUMENT.

DIMENSIONS: INCHES	TOLERANCES UNLESS OTHERWISE SPECIFIED:	APPROVED: J. HUFFMAN	DATE: 28 APR 98	Tyco Electronics Corporation Harrisburg, PA 17105-3608
		DESIGNED: R. SWING	DATE: 28 APR 98	
		PRODUCT SPEC: T. REDDICK	DATE: 28 APR 98	NAME: J. REDDICK
		APPLICATION SPEC: ---		SIZE: A1
		WEIGHT: ---		CAGE CODE: 00779
		CUSTOMER DRAWING	SCALE: 4:1	DRAWING NO: 640502

MATERIAL: HOUSING FLAME RETARDANT; HOUSING UL 94V-0; PIN: .008 PH BRZ. FINISH: SEE FINISH.

RESTRICTED TO: ---

SHEET 1 OF 1 REV S1

