

LAN9220 / LAN9221 Mini Development Card

Assy 6527

PCB Revision B

Schematic Revision 1.1

Design Details

Board:
Assy 6527

Chip:
SMSC LAN9220 / LAN9221

Board Form Factor:
59.60mm x 58.42mm

Assembly:
56-Pin QFN

Circuit Diagrams utilizing SMSC Products Are Included As A Means Of Illustrating Typical Semiconductor Applications: Consequently Complete Information Sufficient For Construction Purposes Is Not Necessarily Given. The Information Has Been Carefully Checked And Is Believed To Be Entirely Reliable. However, No Responsibility Is Assumed For Inaccuracies. Furthermore, Such Information Does Not Convey To The Purchaser Of The Semiconductor Devices Described Any License Under The Patent Rights Of SMSC Or Others. SMSC Reserves The Right To Make Changes At Any Time In Order To Improve Design And Supply The Best Product Possible.

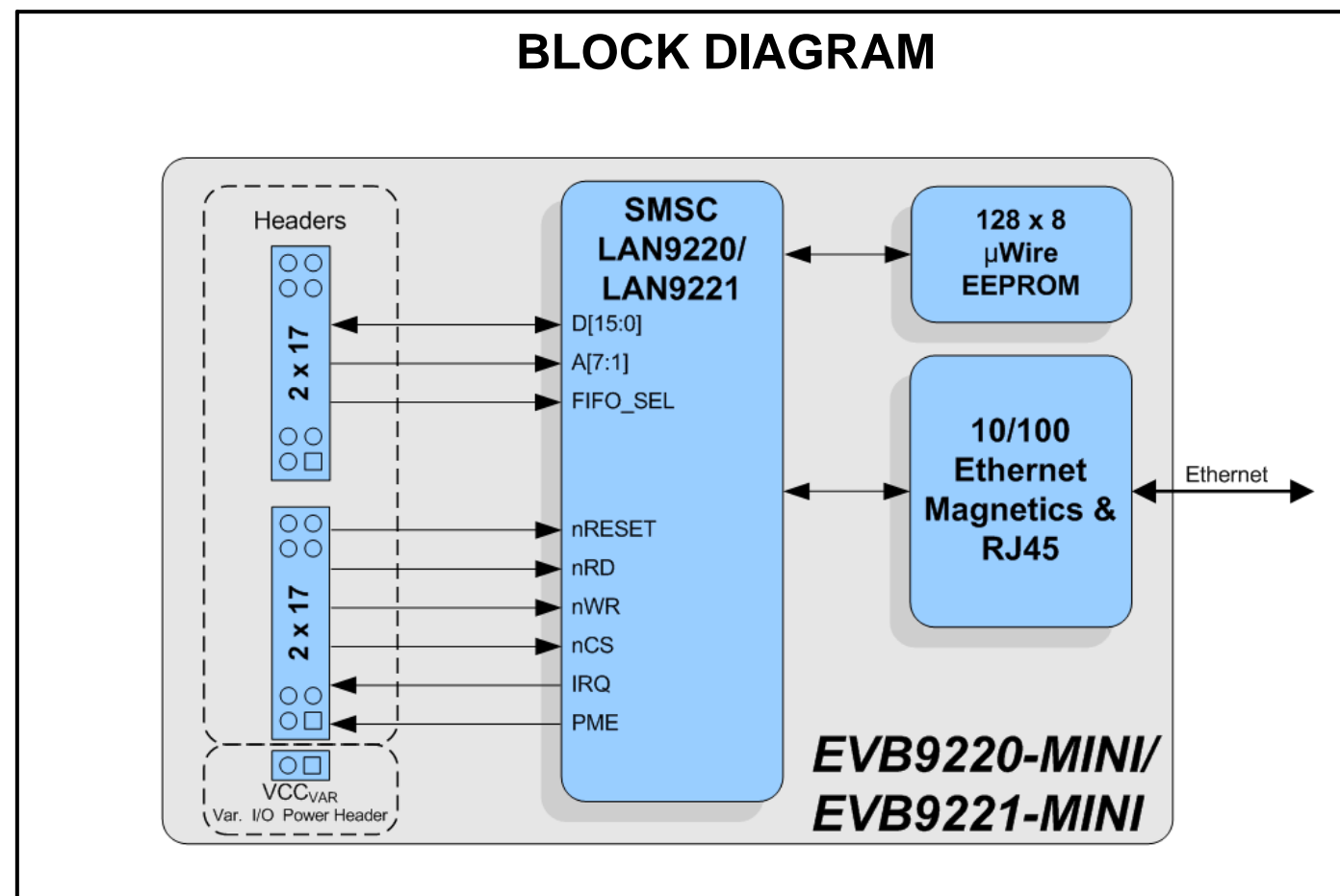
ITEM	Page(s)
Title Page	1
Expansion Slot Edge Fingers	2
LAN9220 / LAN9221	3

Revision History

Rev 1.0 to 1.1:

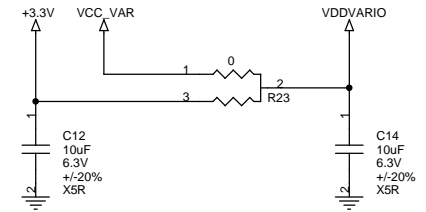
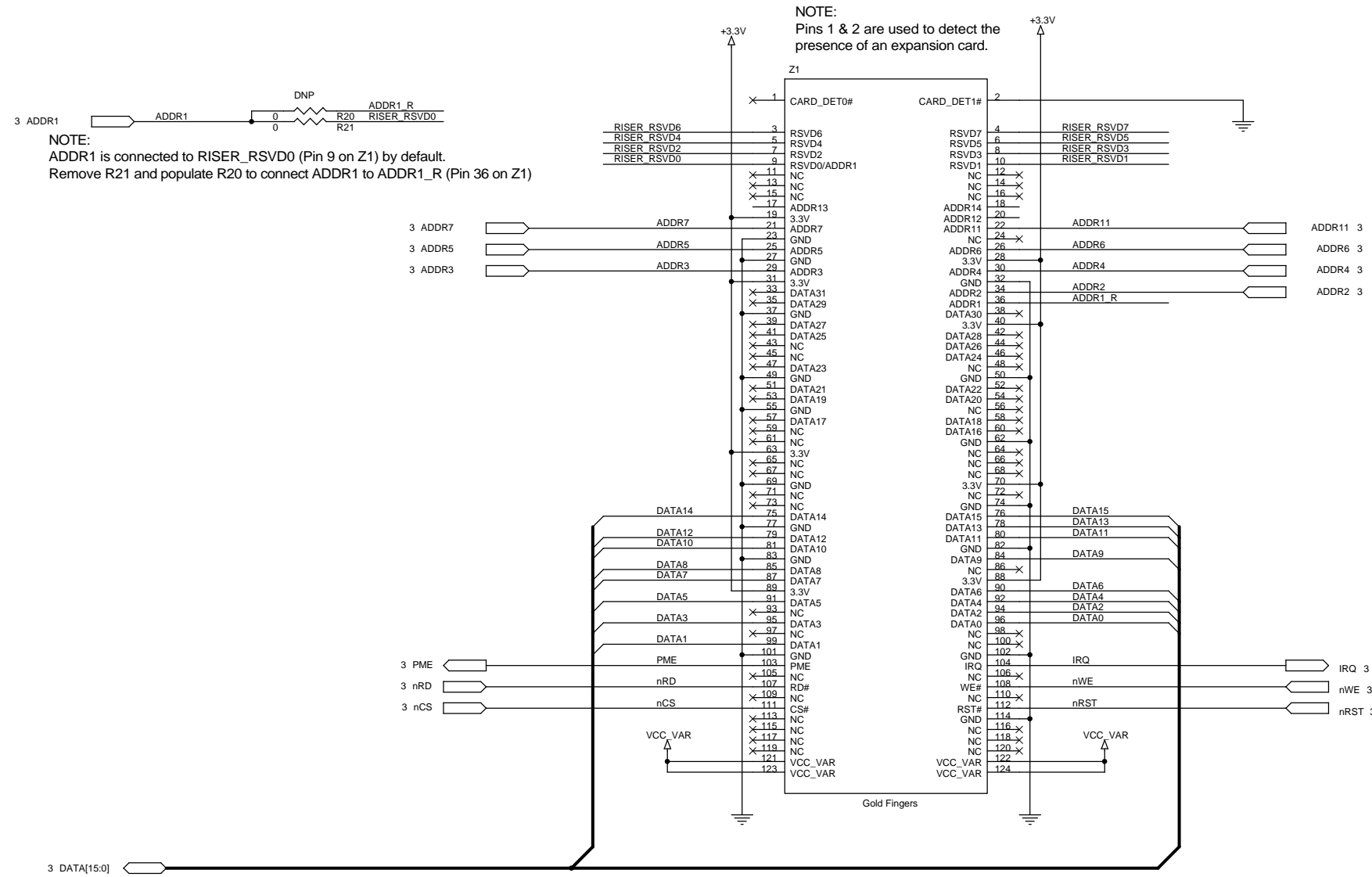
Page 2: Added note for default ADDR1 configuration

BLOCK DIAGRAM

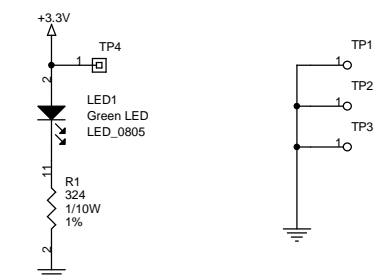
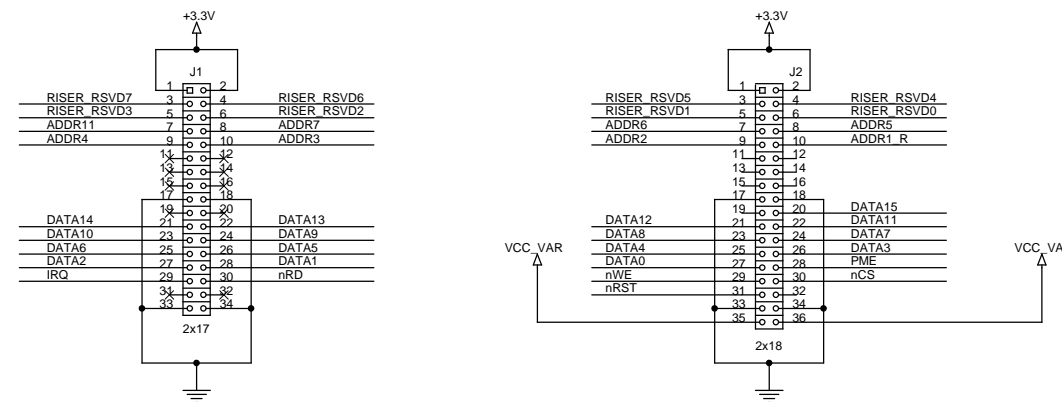


Title Page				
Size	Engineer	Assembly No.	PCB Rev	Schematic Rev
C	J. M.	6527	B	1.1
Date:	Monday, September 14, 2009		Sheet	1 of 3

Local Bus Expansion Slot



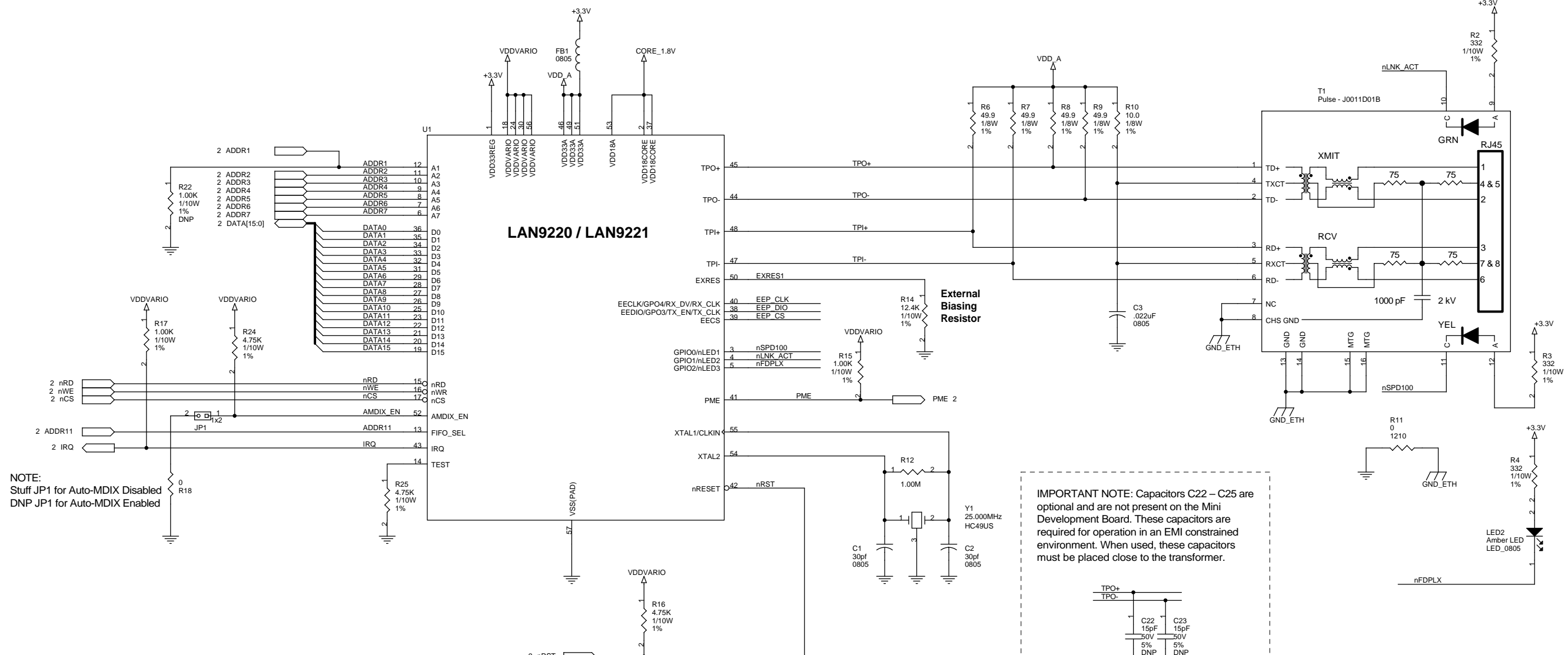
Local Bus Test Points



SMSC
SUCCESS BY DESIGN

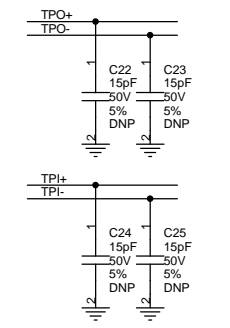
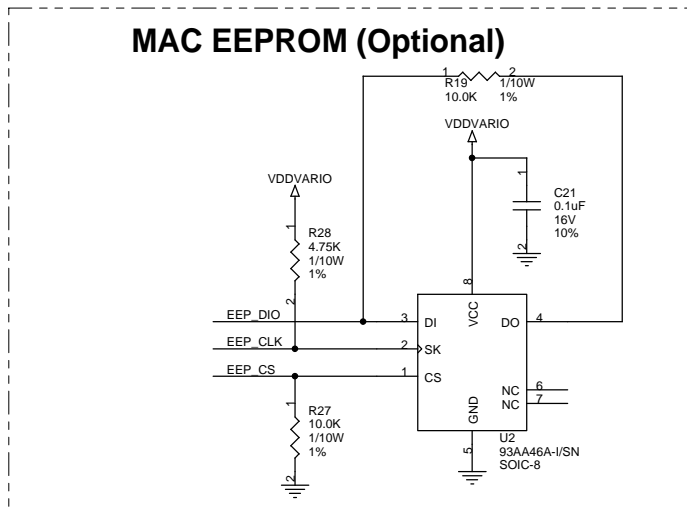
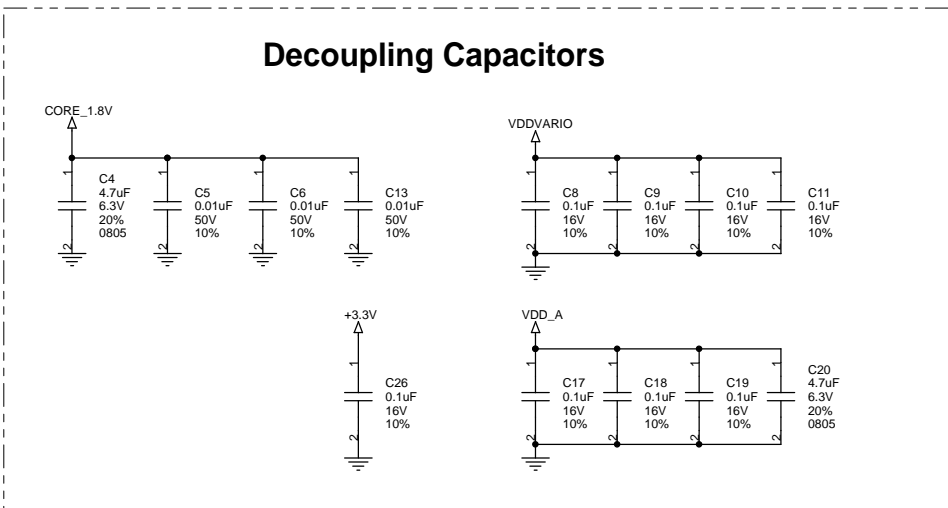
Title: LAN9220 / LAN9221 Mini Development Card

Size: C	Engineer: J. M.	Assembly No.: 6527	PCB Rev: B	Schematic Rev: 1.1
Date: Wednesday, September 16, 2009		Sheet 2 of 3		



NOTE:
 Stuff JP1 for Auto-MDIX Disabled
 DNP JP1 for Auto-MDIX Enabled

IMPORTANT NOTE: Capacitors C22 – C25 are optional and are not present on the Mini Development Board. These capacitors are required for operation in an EMI constrained environment. When used, these capacitors must be placed close to the transformer.



SMSC SUCCESS BY DESIGN				
Title: LAN9220 / LAN9221 Mini Development Card				
Size: C	Engineer: J. M.	Assembly No.: 6527	PCB Rev: B	Schematic Rev: 1.1
Date: Wednesday, September 16, 2009			Sheet 3 of 3	