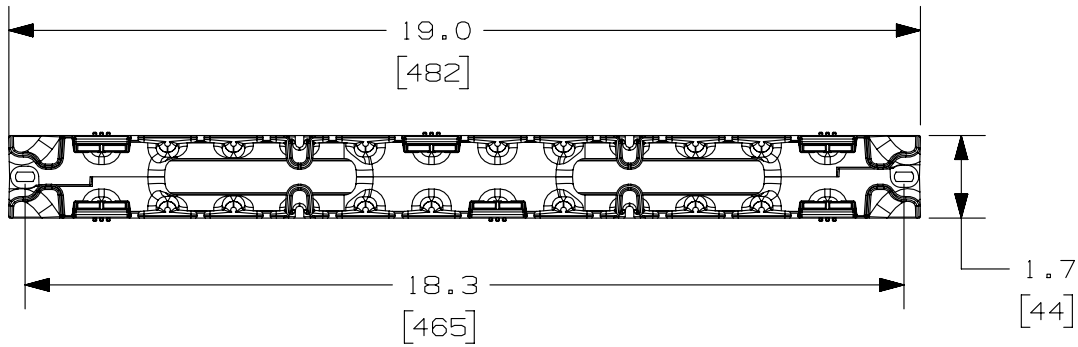


THIS COPY IS PROVIDED ON A RESTRICTED BASIS AND IS NOT TO BE USED IN ANY WAY DETRIMENTAL TO THE INTERESTS OF PANDUIT CORP.

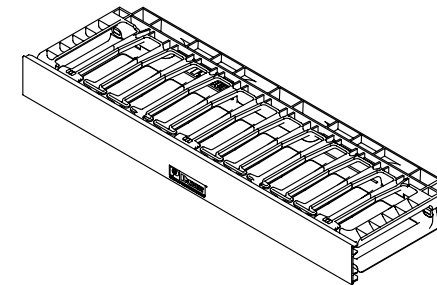
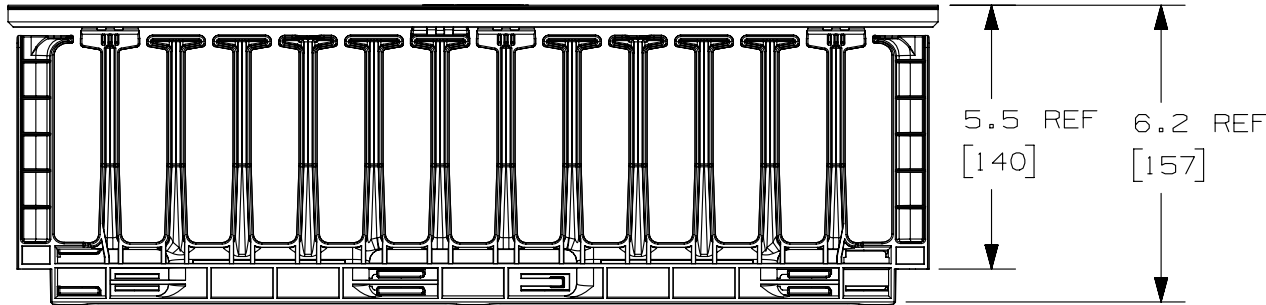


PANDUIT P/N	WEIGHT
NMF1 NMF1WH	1.1 LBS/EACH 513 g/EACH

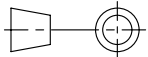


NOTES:

- VISIT OUR ON-LINE CATALOG AT [WWW.PANDUIT.COM](http://WWW.PANDUIT.COM) FOR A CURRENT LIST OF PRODUCTS APPLICABLE FOR USE WITH THIS PART.
- COMPONENTS:  
1- 1 RU MANAGER (FRONT ONLY)  
1- 1 RU 19" COVER
- DIMENSIONS IN PARENTHESES ARE METRIC.



REV	DATE	BY	CHK	APR	DESCRIPTION	ECN
02A	10/14/14	FGR			A. P/N NMF1WH ADDED	V09000AS
01C	9-17-13	FGR			DRAWING UPDATED	
01B	4-1-13	RYB			REDRAWN, REMOVED OLD REVISIONS	

TITLE <b>NMF1 CABLE MANAGER CUSTOMER DRAWING</b>					
ITEM REVISION NAME V10404AH/02				<b>PANDUIT</b>	
DATASET FILE NAME V10404AH_DC/02A					
UNLESS OTHERWISE SPECIFIED, DIMENSIONAL TOLERANCES ARE: IN (mm)				MATERIAL: MANAGER: ABS 1RU COVER: PVC	
 THIRD ANGLE PROJECTION				DRAWING NUMBER: 10404-15	
				SHT 1 OF 1	
DRAWN BY BAME	DATE 3-6-07	CHK TCK	SCALE NONE	SIZE A	

D10100DA/15