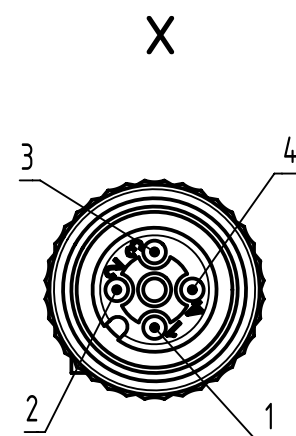
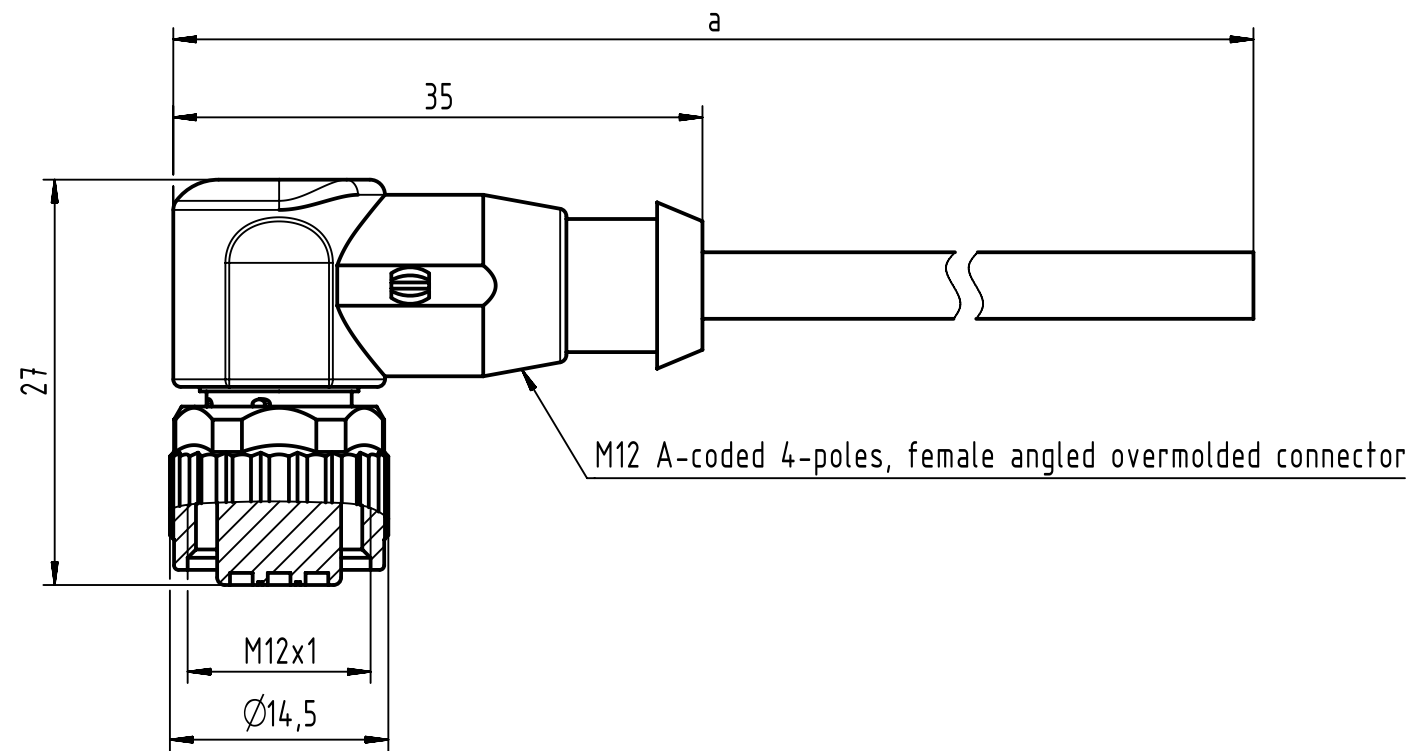


Connector Location A

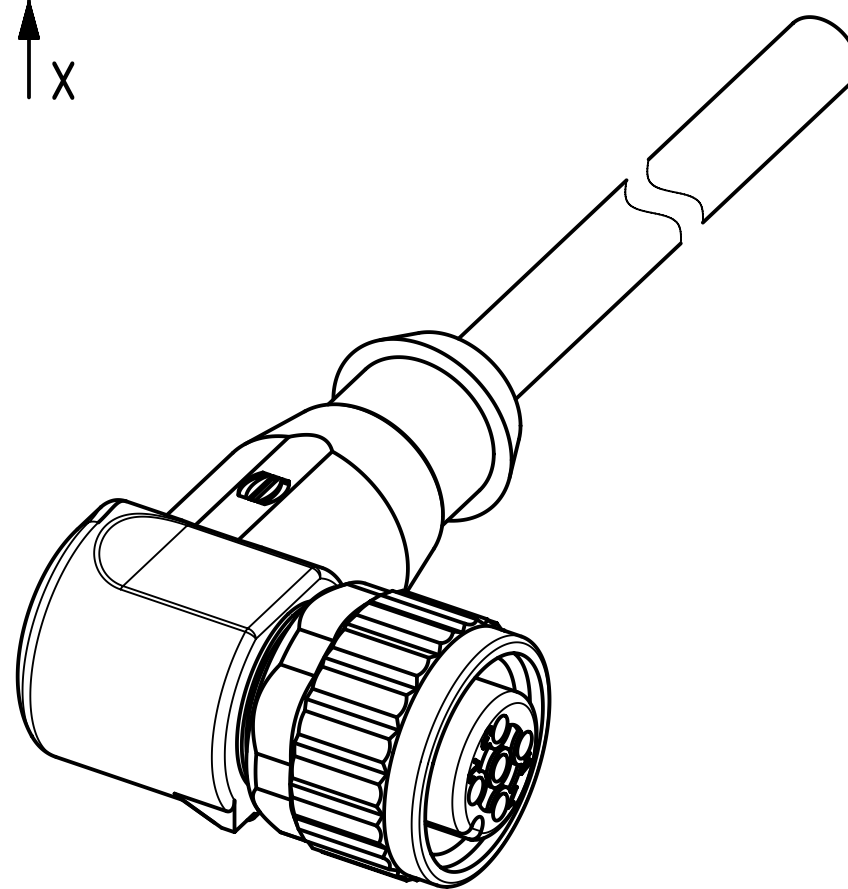
Connector Location B



Loading-Plan:

- 1 — brown
- 2 — white
- 3 — blue
- 4 — black

- Protection level: IP 65/67  
 - Temperature range: -25°C ... +80°C



length in "1m" step	40	XXX=400
	39	XXX=390
	.	.
	12	XXX=120
	11	XXX=110
length in "0.1m" step	10	XXX=100
	9.9	XXX=099
	9.8	XXX=098
	.	.
	0.4	XXX=004
	0.3	XXX=003
	0.2	XXX=002
	0.1	XXX=001
Step	a [m]	XXX

4.0 to 40	+1%
0.1 to 3.9	+0.04
a [m]	Tolerance

Part no.	213487004XXXXX
----------	----------------

Type of cable	XX
PVC grey, 4x0.34mm <sup>2</sup>	XX=84
PUR black, 4x0.34mm <sup>2</sup>	XX=91

	All rights reserved		Created by MUNTEANV		Inspected by POPESCU		Standardisation AVRAM		Date 2016-10-18		State Final Release	
	Department HCS - RO		Title M12 A-coded Cable Assembly		Doc-Key / ECM-Nr. 100578836/UGD/009/C 500000110313		Rev. C		Page 1/1			
HARTING Customised Solutions			Type TB		Number 213487004XXXXX							
D-32427 Minden												