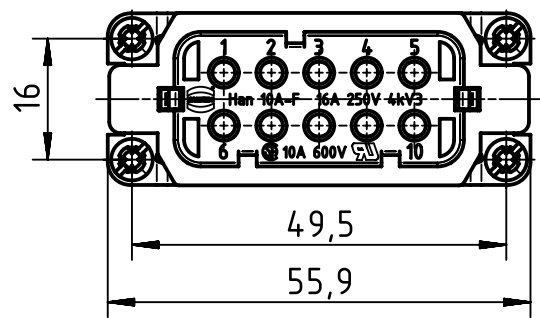
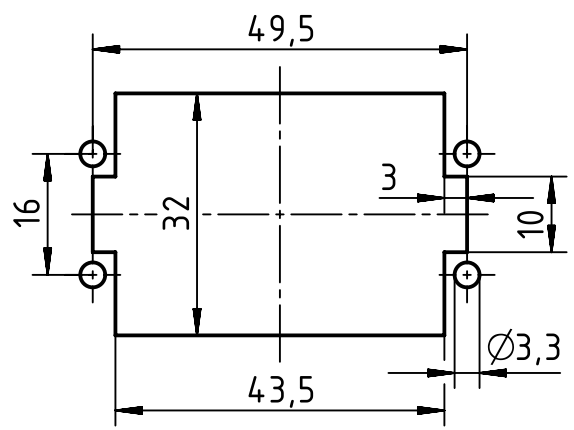


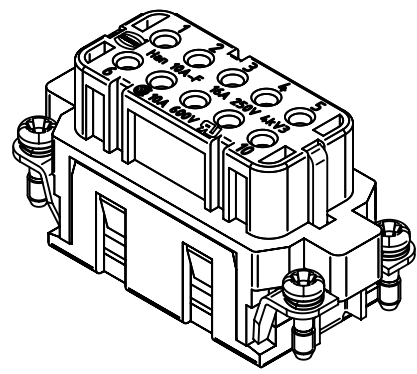
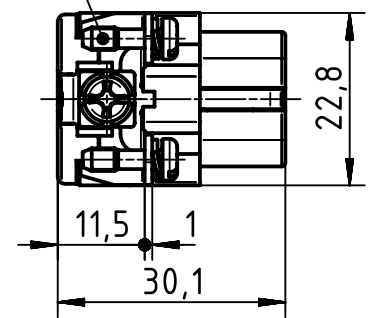
1 2 3 4 5 6


A
B
C
D

panel cut out



M3x10



	All rights reserved Department EL PD - DE	All Dimensions in mm Original Size DIN A4		Scale 1:1	Free size tol.		Ref.	
		HARTING Electric GmbH & Co. KG D-32339 Espelkamp	Created by SPRENB	Inspected by BERGHORN	Standardisation TIEMANNA	Date 2015-09-18	State Final Release	Sub.
Title Han A 10 Pos. F Insert Crimp							Doc-Key / ECM-Nr. 100087316/UGD/007/B 500000091602	
				Type TB	Number 09 20 010 3101		Rev. B	Page 1/1