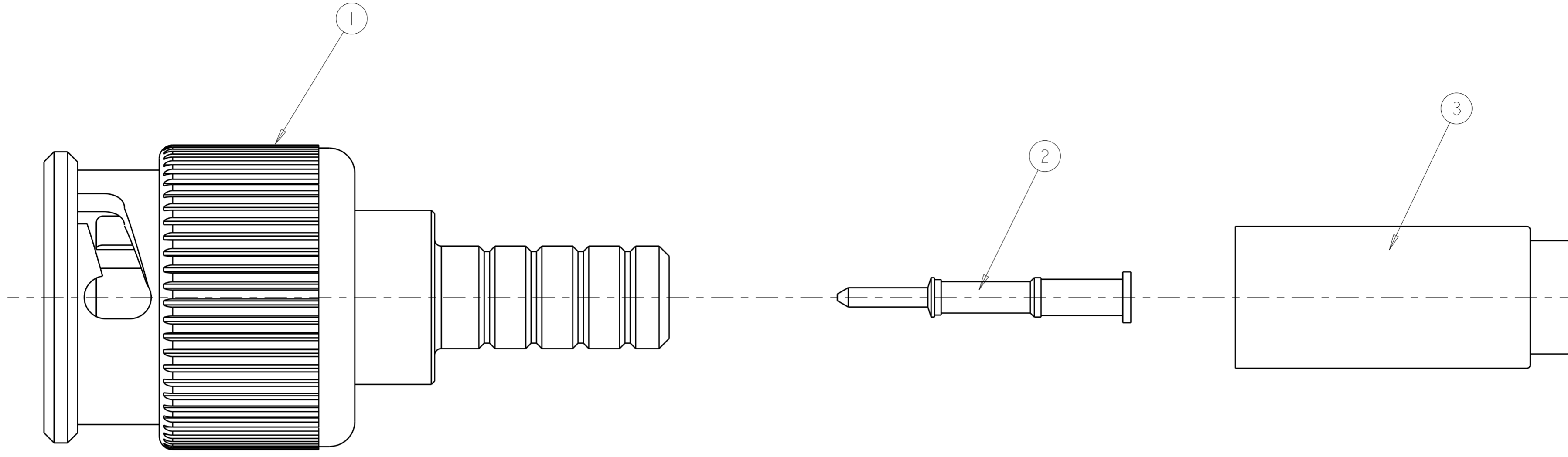


THIS DRAWING IS UNPUBLISHED. RELEASED FOR PUBLICATION 20
 © COPYRIGHT 20 BY - ALL RIGHTS RESERVED.

LOC	DIST	REVISIONS					
		P	LTR	DESCRIPTION	DATE	DWN	APVD
AJ	16		D2	REVISED PER ECO-16-004923	30MAR2016	BW	RS



1. ITEMS PACKAGED UNASSEMBLED
2. SEE SEPARATE CUSTOMER DRAWINGS FOR ITEM DETAILS
3. SEE INSTRUCTION SHEET 408-8871 FOR CABLE TERMINATION DETAILS

OBSOLETE	RG179	.042 [1.07]	.178 [4.52]	9-413658-0	1274565-6	1274564-3	1274563-3
	734A	.042 [1.07]	.255 [6.48]	9-221132-3	1274565-4	1274564-2	1274563-2
OBSOLETE	735A	.042 [1.07]	.178 [4.52]	9-413658-2	1274565-2	1274564-1	1274563-1
	CABLE	CONTACT CRIMP (SQUARE)	FERRULE CRIMP (HEX)	③ FERRULE QTY = 1	② CONTACT QTY = 1	① PLUG ASSY QTY = 1	PART NUMBER

THIS DRAWING IS A CONTROLLED DOCUMENT.

DIMENSIONS: INCHES [mm]	TOLERANCES UNLESS OTHERWISE SPECIFIED: 0 PLC ± 1 PLC ± 2 PLC ± 3 PLC ± 4 PLC ± ANGLES ± FINISH	DWN: K. WEIDNER 03OCT2003 CHK: G. MICHAEL 13FEB2004 APVD: K. WEIDNER 13FEB2004	STE TE Connectivity
MATERIAL		PRODUCT SPEC: 108-2159 APPLICATION SPEC: - WEIGHT: -	NAME: STRAIGHT PLUG KIT, MINI BNC
		CUSTOMER DRAWING	SIZE: A2 CAGE CODE: 00779 DRAWING NO: C-1274563 RESTRICTED TO: - SCALE: 8:1 SHEET 1 OF 1 REV: D2