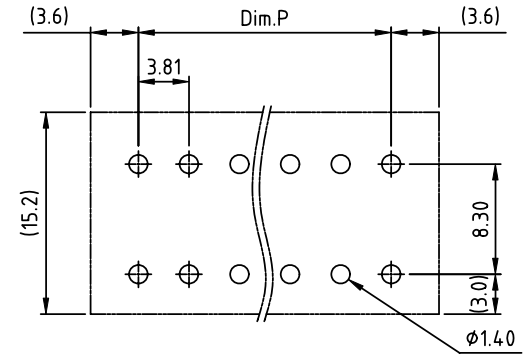
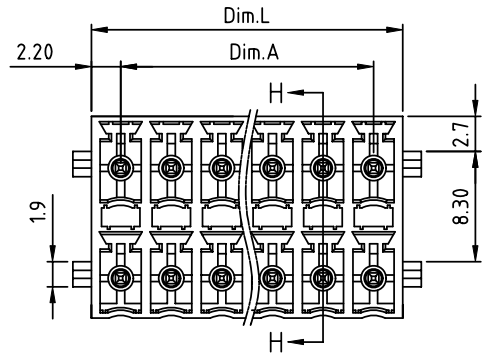
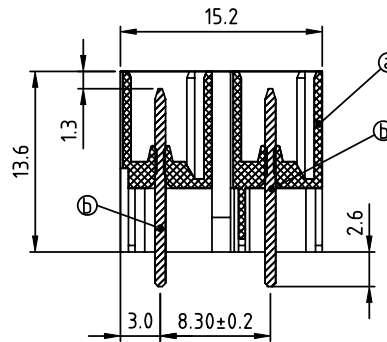
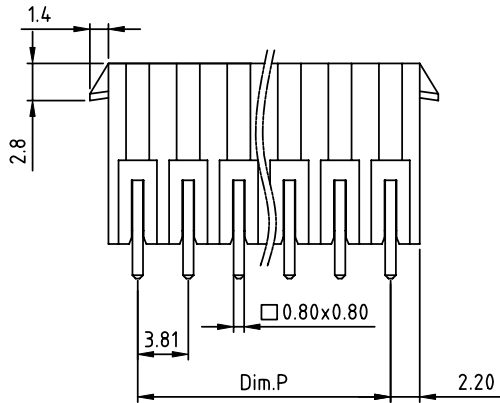


PRODUCT NUMBER	PITCH
KExx33x0A0J0G	3.81 mm



RECOMMENDED P.C.B LAYOUT  
TOP VIEW



SECTION H-H

Material:

- Item A Terminal housing: Thermoplastic (UL94V-0)
- Item B Pin: Copper Tin plated

Electrical:

- Voltage rating: 300V
- Current rating: 5.5A
- Withstanding Voltage: 1.6 KV
- Operating temperature: -40°C to +115°C
- Soldering temperature: 260°C ±5°C/5 Sec
- Safety Approval: cULus

DIMENSION

Dim.L	(N/2-1) × 3.81+4.4		
Dim.P	(N/2-1) × 3.81		
Dim.A	(N/2-1) × 3.81		

N=Number of poles

poles	Dim.L	Dim.P	Dim.A
2×2P-2×5P	±0.20	±0.15	±0.15
2×6P-2×16P	±0.30	±0.25	±0.25
2×17P-2×24P	±0.40	±0.30	±0.30

PART NO.: KE xx 3 3 x 0 A0J0 G

Solid block	0	Black (RAL9005)	RoHS compliant (lead<4%) in copper Alloy
No. of poles	2	Red (RAL3001/D)	
04 2x2poles	3	Orange(RAL2011/P)	
06 2x3poles	4	Yellow(RAL1018/A)	
...	5	Green(RAL6018/T)	
48 2x24poles	6	Blue (RAL5015/A)	
	8	Grey(RAL7035/D)	
	9	White(RAL1102)	
	C	Green(RAL6018/U)	

mat'l. code		surface ASME Y14.5	tolerance ASME Y14.5	projection	product family TERMINAL BLOCK						
ltr	ecn no	dr	date	 MM	title TERMINAL BLOCK PLUGGABLE SOCKET,VERTICAL,W/LATCH HOLDER						
		angles	<table border="1"> <tr><td>∠</td><td>X.±0.5</td></tr> <tr><td>∠</td><td>X.X±0.3</td></tr> <tr><td>X°±1°</td><td>X.XX±0.1</td></tr> </table>	∠	X.±0.5	∠	X.X±0.3	X°±1°	X.XX±0.1	scale	dwg no KExx33x0A0J0G sheet 1 of 1 size A4
∠	X.±0.5										
∠	X.X±0.3										
X°±1°	X.XX±0.1										
		dr	EVIN ZHONG 042414		type CUSTOMER Drawing						
		enrg	EVIN ZHONG 042414								
		chr	HANKE FENG 042414								
		appd	SHI JUN 042414								
sheet index	revision sheet	A	1								