

MATERIALS AND FINISHES

BODY BRASS
PLATED GOLD

CENTER CONTACT BRASS
PLATED GOLD

INSULATOR TEFLON

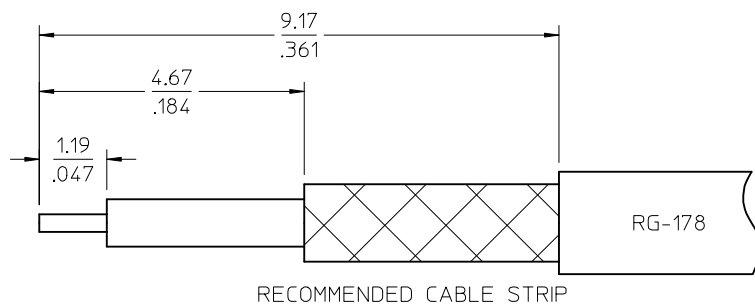
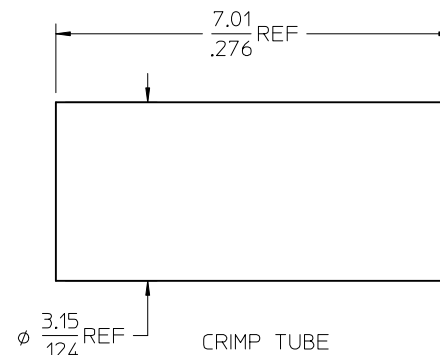
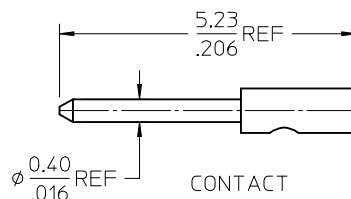
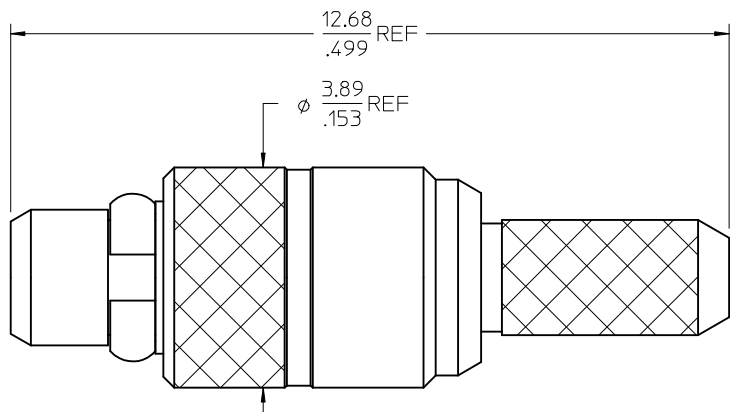
MMCX PLUG
INTERFACE

0.13±0.13
.005±.005

15.32
.603 REF

2.67
.105 HEX

RG178 CABLE



73415-0973	GOLD FLASH / PER BAG
73415-0972	P/N 73415-0971, ONE PIECE PER BAG
73415-0971	PER COMMERCIAL REQUIREMENTS, BAG-500 PCS
73415-0970	PER MILITARY REQUIREMENTS, PACKAGING-BULK
PART NO.	PLATING AND PACKAGING

CECC 22 340	INTERFACE
PS-89675-1920	ELECTRO/MECH. PERFORM.
SPECIFICATION	DESCRIPTION

CHG:73415-0971
PACKING UPDATE
BAG 500 PCS WAS
BULK
EWR RF16-E099

EC NO: URF2016-0872
DRWN:YCHENG 2016/06/24
CHKD:
APPR:YCHENG 2016/06/28

QUALITY SYMBOLS
DESCRIPTION
REV B4

GENERAL TOLERANCES (UNLESS SPECIFIED)
mm INCH
4 PLACES ± --- ± ---
3 PLACES ± --- ± ---
2 PLACES ± --- ± ---
1 PLACE ± --- ± ---
ANGULAR ± 2°
DRAFT WHERE APPLICABLE
MUST REMAIN WITHIN DIMENSIONS

DIMENSION STYLE MM/IN
DRAWN BY DATE TEF 1999/02/15
CHECKED BY DATE JOHNSON 2004/06/04
APPROVED BY DATE MISEN 2004/06/04
MATERIAL NO.
SIZE C
SEE TABLE

SCALE DESIGN UNITS METRIC
THIRD ANGLE PROJECTION
TITLE MMCX PLUG, STRAIGHT
50 OHMS, FOR RG178 CABLE
MMCX-PC
MOLEX INCORPORATED
DOCUMENT NO. SD-73415-097
SHEET NO. 1 OF 1
THIS DRAWING CONTAINS INFORMATION THAT IS PROPRIETARY TO MOLEX INCORPORATED AND SHOULD NOT BE USED WITHOUT WRITTEN PERMISSION