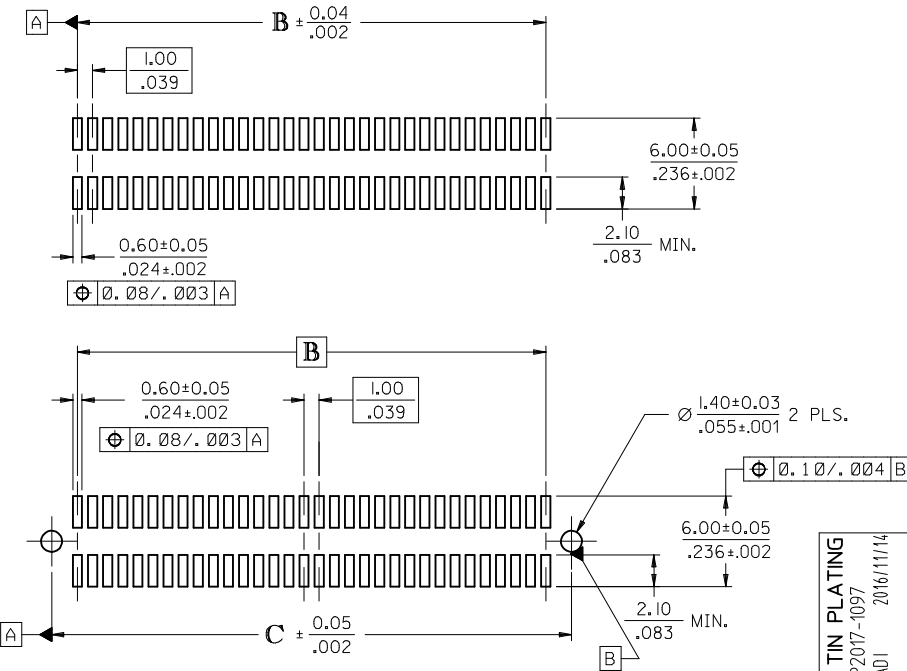


| CIRCUIT SIZE | DIM. A        | DIM. B        | DIM. C        | DIM. D        |
|--------------|---------------|---------------|---------------|---------------|
| 20           | 13.90 / .547  | 9.00 / .354   | 12.40 / .488  | 12.22 / .481  |
| 30           | 18.90 / .744  | 14.00 / .551  | 17.40 / .685  | 17.22 / .678  |
| 40           | 23.90 / .941  | 19.00 / .748  | 22.40 / .882  | 22.22 / .875  |
| 50           | 28.90 / 1.138 | 24.00 / .945  | 27.40 / 1.079 | 27.22 / 1.072 |
| 60           | 33.90 / 1.335 | 29.00 / 1.142 | 32.40 / 1.276 | 32.22 / 1.269 |
| 64           | 35.90 / 1.413 | 31.00 / 1.220 | 34.40 / 1.354 | 34.22 / 1.347 |
| 70           | 38.90 / 1.531 | 34.00 / 1.339 | 37.40 / 1.472 | 37.22 / 1.465 |
| 80           | 43.90 / 1.728 | 39.00 / 1.535 | 42.40 / 1.669 | 42.22 / 1.662 |
| 84           | 45.90 / 1.807 | 41.00 / 1.614 | 44.40 / 1.748 | 44.22 / 1.741 |
| 90           | 48.90 / 1.925 | 44.00 / 1.732 | 47.40 / 1.866 | 47.22 / 1.859 |
| 100          | 53.90 / 2.122 | 49.00 / 1.929 | 52.40 / 2.063 | 52.22 / 2.056 |
| 110          | 58.90 / 2.319 | 54.00 / 2.126 | 57.40 / 2.260 | 57.22 / 2.253 |
| 120          | 63.90 / 2.516 | 59.00 / 2.323 | 62.40 / 2.457 | 62.22 / 2.450 |

- NOTES:**
- HOUSING MATERIAL: GLASS FILLED LIQUID CRYSTAL POLYMER (LCP); UL 94V-0; SEE SHEET 2 FOR COLOR.  
TERMINAL MATERIAL: PHOSPHOR BRONZE; 0.205/.0080 THICK  
VACUUM CAP MATERIAL: STAINLESS STEEL; 0.255/.0100 THICK
  - CONTACT PLATING FINISH: REFER TO CHART ON SHEET 2
  - THIS PART, WHEN MATED WITH MOLEX 1.0mm PLUG CONNECTOR SERIES 71439, CONFORMS TO MOLEX PRODUCT SPECIFICATION PS-71436-9999. REFER TO CHART ON SHEET 2 FOR MATED STACK HEIGHTS FOR THIS RECEPTACLE.
  - PACKAGING SPECIFICATIONS: REFER TO CHART ON SHEET 2.
  - PEGS ARE OPTIONAL. REFER TO CHART ON SHEET 2.
  - VACUUM PICK & PLACE CAP IS OPTIONAL. REFER TO CHART ON SHEET 2.
  - THIS PART CONFORMS TO EIA STANDARD 700 AAAB FOR 1.0mm TWO-PART CONNECTORS FOR USE WITH PARALLEL PRINTED BOARDS.
  - COPLANARITY OF SMT TAILS: 0.10 MM/.004 INCH MAXIMUM
  - 64-CIRCUIT RECEPTACLE ASSEMBLY WITH PEGS AND VACUUM CAP SHOWN FOR ILLUSTRATION PURPOSES ONLY.
  - INCH DIMENSIONS SHOWN FOR REFERENCE ONLY.
  - ASSEMBLY TO HAVE DATE CODE: XX XX  
WEEK \_\_\_\_\_ YEAR \_\_\_\_\_



**RECOMMENDED PCB LAYOUT (WITH AND WITHOUT PEGS)**

RECOMMENDED PCB THICKNESS: 1.00 ± 0.10 / .039 ± .004

|  |                 |  |                   |       |   |                        |
|--|-----------------|--|-------------------|-------|---|------------------------|
| CLARIFY TIN PLATING<br>EC NO: UCP2017-1097<br>DRW:SSORADI 2016/11/14<br>CHKD:<br>APPR:KLANG 2016/11/23<br>REV: | QUALITY SYMBOLS | GENERAL TOLERANCES (UNLESS SPECIFIED)                | DIMENSION STYLE   | SCALE | DESIGN UNITS  | THIRD ANGLE PROJECTION |
|  | ▽=0             | mm INCH  | MM/IN             | INCH  | INCH  |                        |
|  | ▽=0             | 4 PLACES ± --- ± ---                                 | DRAWN BY DATE     |       | TITLE   |                        |
|  | ▽=0             | 3 PLACES ± --- ± .005                                | CHECKED BY DATE   |       | ASSY MFG, 1.0MM BOARD TO BOARD RECEPT CONNECTOR   |                        |
|  |                 | 2 PLACES ± 0.13 ± .01                                | REED 1995/04/03   |       | 5.30/.209 HIGH  |                        |
|  |                 | 1 PLACE ± 0.25 ± ---                                 | APPROVED BY DATE  |       | <b>molex</b>  |                        |
|  |                 | 0 PLACE ± --- ± ---                                  | BIXLER 1995/04/03 |       | DOCUMENT NO.  | SHEET NO.              |
|  |                 | ANGULAR ±1/2°  | MATERIAL NO.      |       | SDA-71439-0***  | 1 OF 2                 |
|  |                 | DRAFT WHERE APPLICABLE MUST REMAIN WITHIN DIMENSIONS | SIZE              |       | THIS DRAWING CONTAINS INFORMATION THAT IS PROPRIETARY TO MOLEX INCORPORATED AND SHOULD NOT BE USED WITHOUT WRITTEN PERMISSION |                        |

**WHITE (NATURAL) MATERIAL**

| PART NUMBER | CIRCUIT SIZE | CONTACT PLATING<br>SEE NOTE BELOW CHARTS | PEGS | PICK & PLACE<br>CAP | PACKAGING SPEC.<br>NUMBER | PACKAGING<br>TYPE |
|-------------|--------------|--|------|---------------------|---------------------------|-------------------|
| 71439-0164  | 64           | 30 GOLD                                  | YES  | NO                  | PK-70873-013              | TUBE              |
| 71439-0264  | 64           | 50 GOLD                                  | NO   | YES                 | PK-70873-063              | TAPE & REEL       |
| 71439-0364  | 64           | 30 GOLD                                  | YES  | YES                 | PK-70873-014              | TUBE              |
| 71439-0464  | 64           | 30 GOLD                                  | YES  | YES                 | PK-70873-063              | TAPE & REEL       |
| 71439-0564  | 64           | 30 GOLD                                  | NO   | NO                  | PK-70873-015              | TUBE              |
| 71439-0764  | 64           | 30 GOLD                                  | NO   | YES                 | PK-70873-017              | TUBE              |
| 71439-0864  | 64           | 30 GOLD                                  | NO   | YES                 | PK-70873-063              | TAPE & REEL       |
| 71439-0664  | 64           | 50 GOLD                                  | YES  | NO                  | PK-70873-013              | TUBE              |
| 71439-0064  | 64           | 50 GOLD                                  | NO   | NO                  | PK-70873-015              | TUBE              |

**BLACK MATERIAL**

| PART NUMBER | CIRCUIT SIZE | CONTACT PLATING<br>SEE NOTE BELOW CHARTS | PEGS | PICK & PLACE<br>CAP | PACKAGING SPEC.<br>NUMBER | PACKAGING<br>TYPE |
|-------------|--------------|--|------|---------------------|---------------------------|-------------------|
| 71439-0964  | 64           | 30 GOLD                                  | NO   | YES                 | PK-70873-063              | TAPE & REEL       |

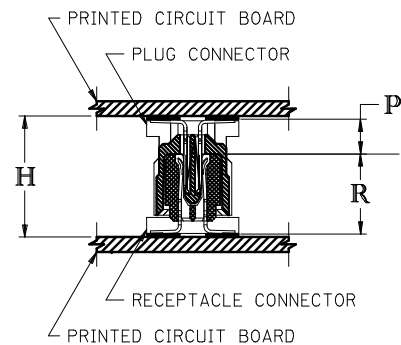
**CONTACT PLATING:**

30 GOLD - 0.76 MICROMETER/30 MICROINCH MINIMUM GOLD IN CONTACT AREA AND 1.91 MICROMETER/75 MICROINCH MINIMUM MATTE TIN IN SOLDER TAIL AREA. NICKEL UNDERPLATE OVER ENTIRE TERMINAL.

50 GOLD - 1.27 MICROMETER/50 MICROINCH MINIMUM GOLD IN CONTACT AREA AND 1.91 MICROMETER/75 MICROINCH MINIMUM MATTE TIN IN SOLDER TAIL AREA. NICKEL UNDERPLATE OVER ENTIRE TERMINAL.

**RECOMMENDED PLUG/RECEPTACLE COMBINATION FOR MATED STACK HEIGHT PER EIA STANDARD 700 AAAB**

| MATED STACK HEIGHT | RECEPTACLE HEIGHT | RECEPTACLE SERIES NO. | PLUG HEIGHT | PLUG SERIES NO. |
|--------------------|-------------------|-----------------------|-------------|-----------------|
| 8.00/.315          | 5.30/.209         | 71439-0***            | 2.30/.090   | 71436-0***      |
| 9.00/.354          | 5.30/.209         | 71439-0***            | 3.30/.130   | 71436-1***      |
| 10.00/.394         | 5.30/.209         | 71439-0***            | 4.30/.169   | 71436-2***      |



PLUG STACK HEIGHT  
+ RECEPTACLE STACK HEIGHT  
+ 0.40/.016 (SOLDER PASTE ALLOWANCE)  
= MATED STACK HEIGHT

BOTTOMING SURFACE

P = PLUG STACK HEIGHT  
R = RECEPTACLE STACK HEIGHT  
H = MATED STACK HEIGHT

|   |                 |  |                          |   |                      |  |
|---|-----------------|--|--------------------------|---|----------------------|--|
| SEE SHEET 1<br>EC NO: UCP2017-1097<br>DRW:SSORAD1 2016/11/14<br>CHKD:<br>APPR:KLANG 2016/11/23<br>REV | QUALITY SYMBOLS | GENERAL TOLERANCES (UNLESS SPECIFIED)                | DIMENSION STYLE<br>MM/IN | SCALE   | DESIGN UNITS<br>INCH | THIRD ANGLE PROJECTION                                   |
|   | ▽=0             | 4 PLACES ± .005                                      | mm INCH                  | DRAWN BY<br>REED  | DATE<br>1995/04/03   | TITLE<br>ASSY MFG, 1.0MM BOARD TO BOARD RECEPT CONNECTOR |
|   | ▽=0             | 3 PLACES ± .005                                      |                          | CHECKED BY<br>REED  | DATE<br>1995/04/03   | 5.30/.209 HIGH   |
|   | ▽=0             | 2 PLACES ± 0.13                                      |                          | APPROVED BY<br>BIXLER   | DATE<br>1995/04/03   | <b>molex</b>   |
|   |                 | 1 PLACE ± 0.25                                       |                          | MATERIAL NO.  |                      | DOCUMENT NO.   |
|   |                 | 0 PLACE ± .005                                       |                          | SIZE  |                      | SHEET NO.  |
|   |                 | ANGULAR ±1/2°  |                          | SEE TABLE   |                      | 2 OF 2   |
|   |                 | DRAFT WHERE APPLICABLE MUST REMAIN WITHIN DIMENSIONS |                          | SDA-71439-0***  |                      |  |
|   |                 |  |                          | THIS DRAWING CONTAINS INFORMATION THAT IS PROPRIETARY TO MOLEX INCORPORATED AND SHOULD NOT BE USED WITHOUT WRITTEN PERMISSION |                      |  |