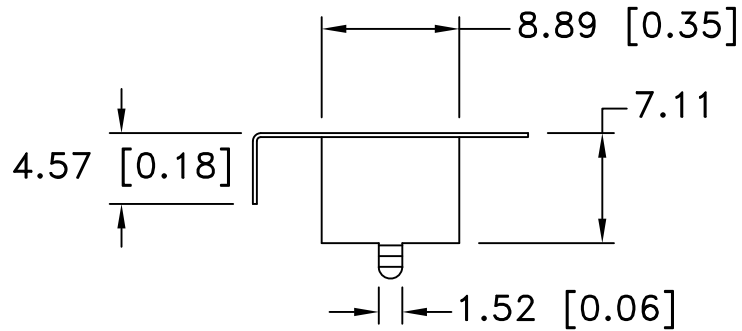
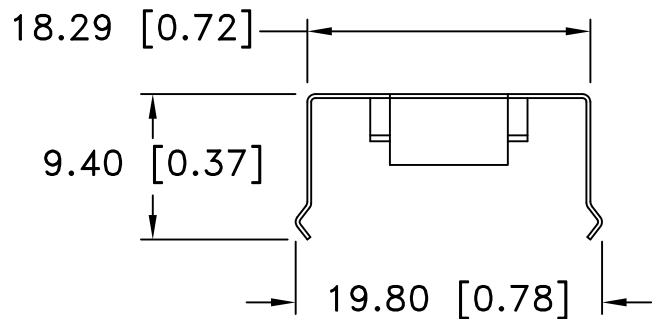
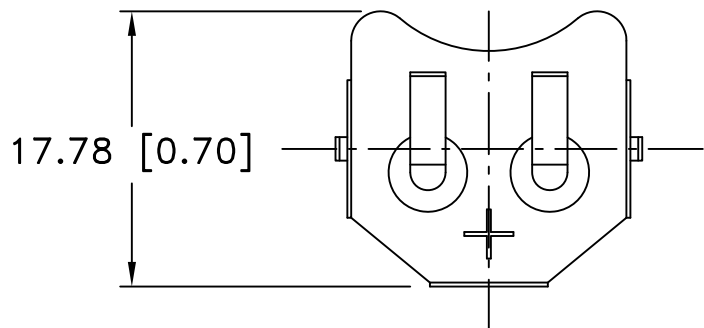
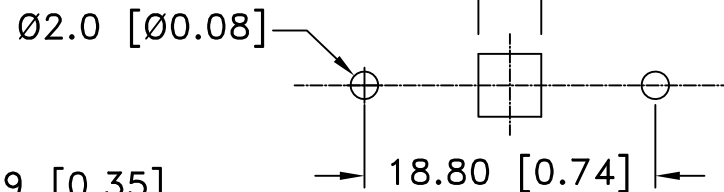


Date	SYM	REVISION RECORD	AUTH	DR.	CK.
9/10/06	A	ADDED "ROHS COMPLIANT"	T.B.	B.S.	
3/26/10	B	ADDED DIM. 1.52 AND DIM. Ø2.0	T.B.	B.S.	



4.06 [0.16] MIN. SQ.
FOR NEG. CONTACT PAD




PCB LAYOUT

NOTES:

1. MATERIAL:

0.25mm (0.010") PHOSPHOR BRONZE, NICKEL PLTD.
ROHS COMPLIANT

Tolerance (Except as noted)	 Memory Protection Devices, Inc 200 Broad Hollow Road, Farmingdale, New York 11735		
decimal ±.5 (.020)	Scale	Drawn By B.S. Approved By T.B.	
Fractional ± .8 (.030)	Title 1159-16 i-BUTTON THRU HOLE RETAINER		
Angular ± 3°	Date 3/26/10	Drawing Number BK-5010	