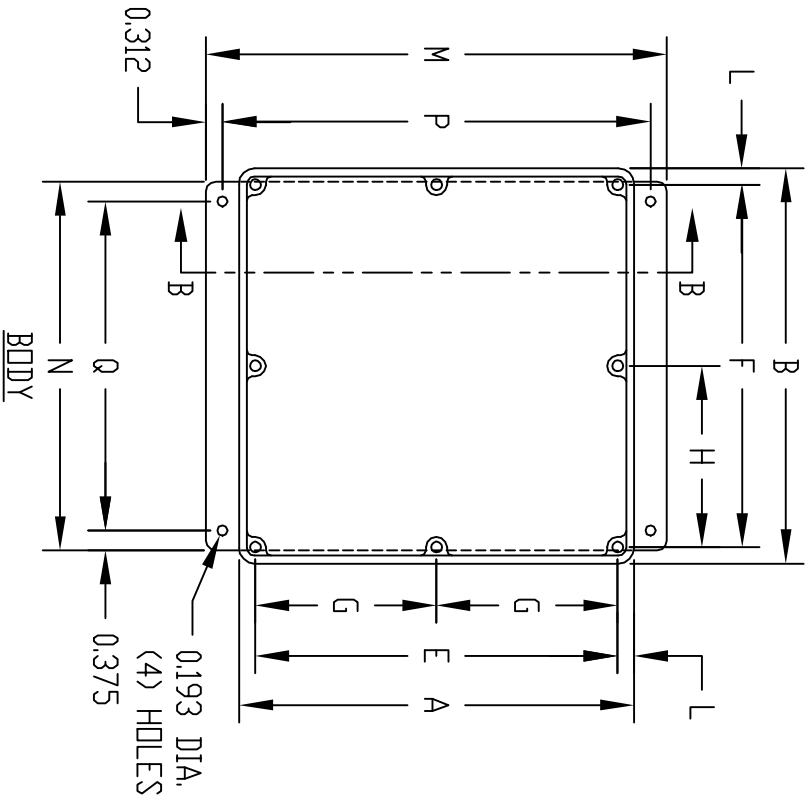
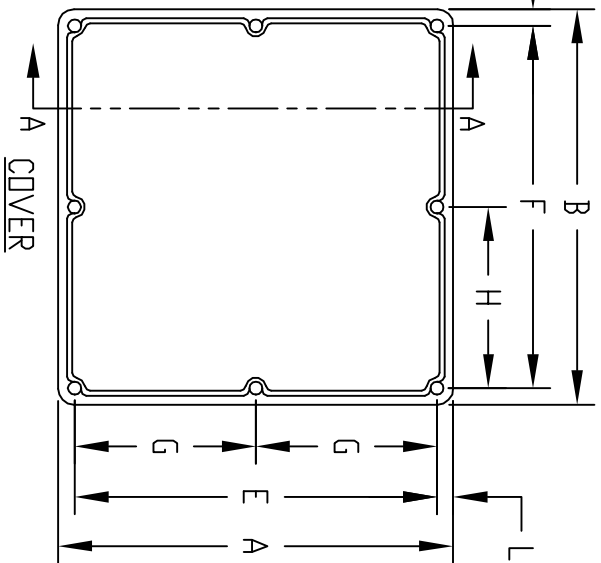


PART NAME ECNDNDBOXES

PART No. CU-4470 TD CU-4479 & CU-470-G TD CU-479-G  
CU-4470 TD CU-4479 & CU-4470-B TD CU-4479-B

REV. DATE 10-14-09



MATERIAL:  
ALUMINUM ALLOY #ADC-12  
FINISH:  
NATURAL (ND SUFFIX)  
GRAY (SUFFIX -G)  
SMOOTH BLACK (SUFFIX -B)

ALL INTERNAL FILLETS 0.062 RADIUS  
ALL INTERNAL ROUNDS 0.125 RADIUS  
ALL EXTERNAL ROUNDS 0.125 RADIUS  
ALL BOXES ASSEMBLED WITH #6-32 FLAT HD. SCREWS

PART NO. CU-4470 THRU CU-4479  
AND CU-4470-B THRU CU-4479-B  
ARE SUPPLIED WITH A WELDED ON  
MOUNTING BRACKET ONLY.

\* ASSEMBLED HEIGHT

| PART NO. | PART NO.  | A     | B     | * C   | D     | E     | F     | G     | H     | J     | K     | L     | M     | N     | P     | Q     |
|----------|-----------|-------|-------|-------|-------|-------|-------|-------|-------|-------|-------|-------|-------|-------|-------|-------|
| CU-470   | CU-470-G  | 2.000 | 2.000 | 1.250 | 1.094 | 1.625 | 1.625 | ----  | ----  | 0.065 | 0.065 | 0.188 | ----  | ----  | ----  | ----  |
| CU-471   | CU-471-G  | 4.330 | 3.250 | 1.750 | 1.594 | 3.955 | 2.875 | ----  | ----  | 0.094 | 0.078 | 0.188 | ----  | ----  | ----  | ----  |
| CU-472   | CU-472-G  | 4.750 | 3.150 | 2.330 | 2.174 | 4.375 | 2.775 | ----  | ----  | 0.094 | 0.078 | 0.188 | ----  | ----  | ----  | ----  |
| CU-473   | CU-473-G  | 4.688 | 3.688 | 1.340 | 1.184 | 4.313 | 3.313 | ----  | ----  | 0.094 | 0.078 | 0.188 | ----  | ----  | ----  | ----  |
| CU-474   | CU-474-G  | 4.750 | 4.750 | 2.330 | 2.174 | 4.375 | 4.375 | ----  | ----  | 0.094 | 0.078 | 0.188 | ----  | ----  | ----  | ----  |
| CU-475   | CU-475-G  | 4.750 | 4.750 | 3.750 | 3.594 | 4.375 | 4.375 | ----  | ----  | 0.094 | 0.078 | 0.188 | ----  | ----  | ----  | ----  |
| CU-476   | CU-476-G  | 6.000 | 3.250 | 2.000 | 1.844 | 5.610 | 2.860 | 2.805 | ----  | 0.094 | 0.078 | 0.195 | ----  | ----  | ----  | ----  |
| CU-477   | CU-477-G  | 7.390 | 4.703 | 1.500 | 1.344 | 7.000 | 4.313 | 3.500 | ----  | 0.094 | 0.078 | 0.195 | ----  | ----  | ----  | ----  |
| CU-478   | CU-478-G  | 7.500 | 7.500 | 2.620 | 2.464 | 7.110 | 7.110 | 3.555 | 3.555 | 0.094 | 0.078 | 0.195 | ----  | ----  | ----  | ----  |
| CU-479   | CU-479-G  | 4.375 | 2.375 | 2.136 | 1.980 | 4.000 | 2.000 | ----  | ----  | 0.065 | 0.078 | 0.188 | ----  | ----  | ----  | ----  |
| CU-4470  | CU-4470-B | 2.000 | 2.000 | 1.250 | 1.094 | 1.625 | 1.625 | ----  | ----  | 0.065 | 0.065 | 0.188 | 3.250 | 1.625 | 2.626 | 0.875 |
| CU-4471  | CU-4471-B | 4.330 | 3.250 | 1.750 | 1.594 | 3.955 | 2.875 | ----  | ----  | 0.094 | 0.078 | 0.188 | 5.624 | 2.875 | 5.000 | 2.125 |
| CU-4472  | CU-4472-B | 4.750 | 3.150 | 2.330 | 2.174 | 4.375 | 2.775 | ----  | ----  | 0.094 | 0.078 | 0.188 | 6.000 | 2.750 | 5.376 | 2.000 |
| CU-4473  | CU-4473-B | 4.688 | 3.688 | 1.340 | 1.184 | 4.313 | 3.313 | ----  | ----  | 0.094 | 0.078 | 0.188 | 5.874 | 3.312 | 5.250 | 2.562 |
| CU-4474  | CU-4474-B | 4.750 | 4.750 | 2.330 | 2.174 | 4.375 | 4.375 | ----  | ----  | 0.094 | 0.078 | 0.188 | 6.000 | 4.250 | 5.376 | 3.500 |
| CU-4475  | CU-4475-B | 4.750 | 4.750 | 3.750 | 3.594 | 4.375 | 4.375 | ----  | ----  | 0.094 | 0.078 | 0.188 | 5.874 | 4.250 | 5.250 | 3.500 |
| CU-4476  | CU-4476-B | 6.000 | 3.250 | 2.000 | 1.844 | 5.610 | 2.860 | 2.805 | ----  | 0.094 | 0.078 | 0.195 | 7.250 | 2.875 | 6.626 | 2.125 |
| CU-4477  | CU-4477-B | 7.390 | 4.703 | 1.500 | 1.344 | 7.000 | 4.313 | 3.500 | ----  | 0.094 | 0.078 | 0.195 | 8.624 | 4.250 | 8.000 | 3.500 |
| CU-4478  | CU-4478-B | 7.500 | 7.500 | 2.620 | 2.464 | 7.110 | 7.110 | 3.555 | 3.555 | 0.094 | 0.078 | 0.195 | 8.750 | 7.000 | 8.126 | 6.250 |
| CU-4479  | CU-4479-B | 4.375 | 2.375 | 2.136 | 1.980 | 4.000 | 2.000 | ----  | ----  | 0.065 | 0.078 | 0.188 | 5.624 | 2.000 | 5.000 | 1.250 |