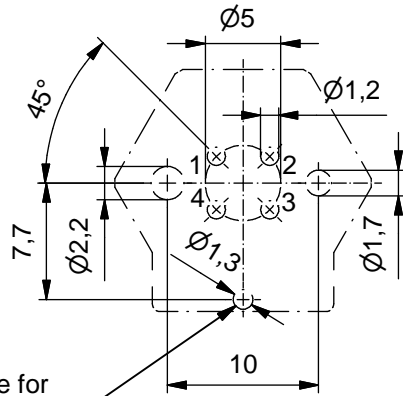
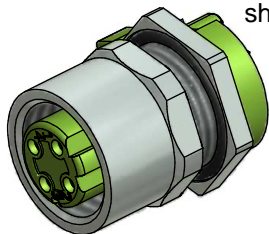


Pin Layout  
PCB 1,60mm



Hole for optional shroud



**Technical specification:**

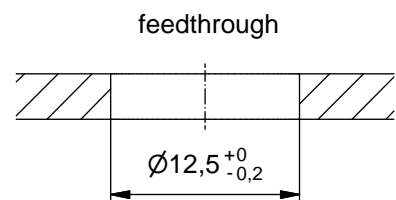
Rated voltage: IEC 61076-2-101	250 V
Current rating: IEC 61076-2-101	4 A at 40°C
Insulation resistance: IEC 60512	>=100 MΩ
Pollution degree: IEC 60664-1	3/2
Degree of protection: IEC 60529	IP 67, in mated condition
Temperature range: EN 60512-11-10 EN 60512-11-4	-30°C ... +85°C -40°C ... +85°C
Mating cycles: IEC 60512-9a	>=100

**Materials:**

Contact:	CuZn, Ni b / Au 0,2 gal.
Contact carrier:	PA GF, UL 94 V-0
Sealing:	FPM / NBR
Socket housing:	CuZn, nickel plated
Shroud:	spring steel, nickel plated

**Installation specification:**

recommended torque:	0,8-1 Nm
Conec installation tool:	Torque wrench: 36-000200 Insert across flats 14: 36-000370 Insert across flats 15: 36-000320

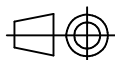


Part no:	Description:	Pos	Note:
43-01223	SAL - 12D - FKH4 - X5,5	4	with shroud

DO NOT ALTER CAD DRAWING BY HAND

RoHS & REACH compliant

Index: d 29.08.13 MG Ä4884  
Data sheet revised, width across flats changed, installation specification added



dim. in mm

	date	name
drawn	03.12.07	Fromm
appd.	18.02.08	W.Schmidt

title:

Female socket M12x1 axial, backmounting, Industrial Ethernet, dip solder, X5,5

dwg no:

43K1A537

part no:

general tolerance:	0 ± 0,50mm
	0,0 ± 0,25mm
	0,00 ± 0,10mm
*	± 1,5°

THIS DRAWING MAY NOT BE COPIED OR REPRODUCED IN ANY WAY, AND MAY NOT BE PASSED ON TO A THIRD PARTY WITHOUT WRITTEN PERMISSION. OWNERSHIP AND COPYRIGHT OF CONEC GmbH

