

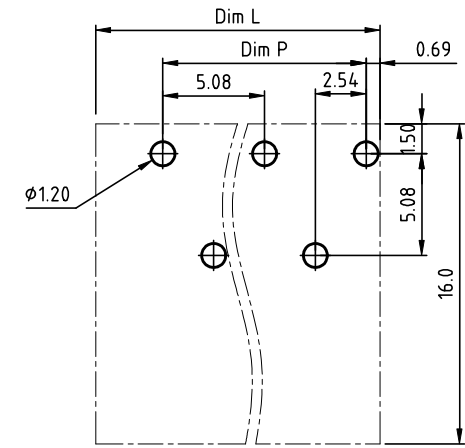
PRODUCT NUMBER	PITCH
NAxx51x100J0G	2.54mm

N=Number of poles  
 Dim L=Nx2.54+1.5  
 Dim P=(N-1)x2.54

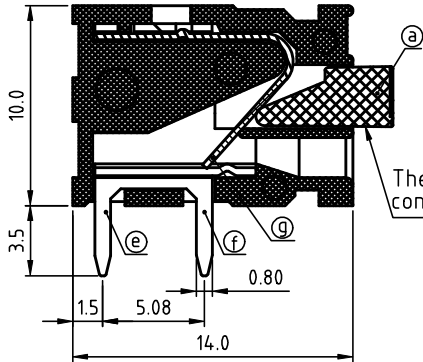
POLES	Dim L	Dim P
3p/5p	±0.20	±0.20
7P/9P/11p	±0.25	±0.25
13P/15p/17p /19p/21p/23p	±0.30	±0.30

PART NO.: NA xx 51 x 100J0 G

No. of poles	0	Black (RAL9005)	RoHS compliant (lead<4%)
End Stackable	2	Red (RAL3001/D)	In copper Alloy
03	3 poles	3 Orange(RAL2011/P)	
05	5 poles	4 Yellow(RAL1018/A)	
...	...	5 Green(RAL6018/T)	
23	23 poles	6 Blue (RAL5015/A)	
		8 Grey(RAL7004/P)	
		9 White(RAL1102)	
		C Multiple colors	

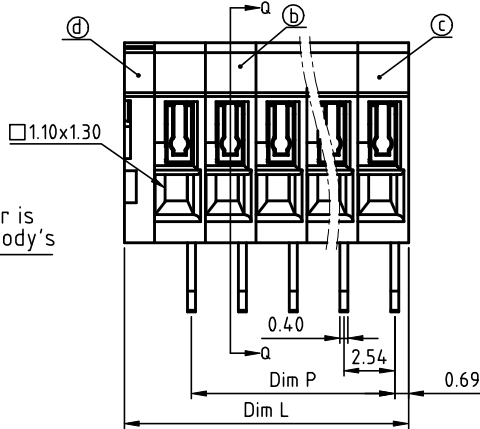


RECOMMENDED P.C.B LAYOUT  
TOP VIEW

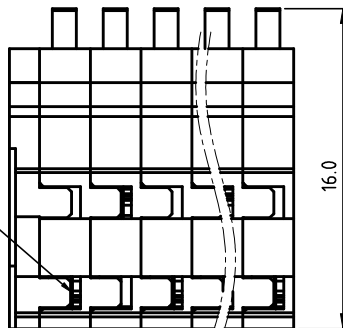


SECTION Q-Q

The color of lever is consistent with body's



Down contacts pin omit Top side with cover



- Material:
- Item(a) Terminal lever: Thermoplastic (UL94 V-0)
  - Item(d) Terminal Normal housing: Thermoplastic (UL94 V-0)
  - Item(c) Terminal side body Thermoplastic (UL94 V-0)
  - Item(b) Terminal cover: Thermoplastic (UL94 V-0)
  - Item(e) Down contacts pin omit Top side: Brass Tin plated
  - Item(f) Top contacts pin omit Down side: Brass Tin plated
  - Item(g) wire guard: Stainless steel
- Electrical cULus
- Voltage rating: 150V
  - Current rating: 3A
  - Wire range:
  - Solid wire(AWG): 20-28
  - Stranded wire(AWG): 20-28
  - Wire strip length: 9-10mm
  - Withstanding Voltage: 1.3KV
  - Operating temperature: -40°C to +115°C
  - Soldering temperature: 260°C±5°C/5 Sec
  - Safety Approval: cULus

mat'l. code		surface	tolerance	projection	product family	
		ASME Y14.5	ASME Y14.5		TERMINAL BLOCK	
ltr ecn no dr date		tolerances unless otherwise specified			title	
		angles			TERMINAL BLOCK	
		X±1			SPRING CLAMP,180D WIRE INLET,B TYPE,ODD POLES	
		X.X±0.3			scale	
		X.XX±0.1			FCI	
dr		EVIN ZHONG	060314	dwg no sheet 1 of 2 size		
enr		EVIN ZHONG	060314	NAxx51x100J0G A4		
chr		HANKE FENG	060314	type		
appd		SHI JUN	060314	CUSTOMER Drawing		
sheet index	revision sheet	A	1			

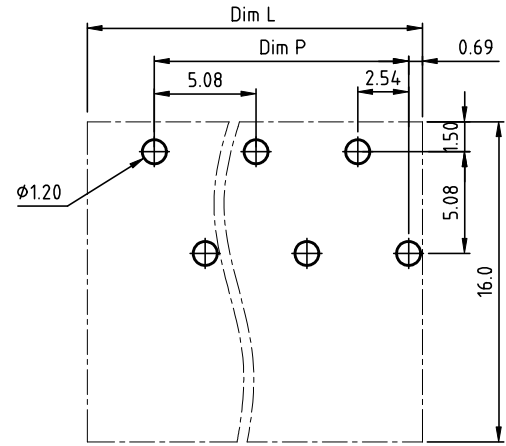
PRODUCT NUMBER	PITCH
NAxx51x100J0G	2.54mm

N=Number of poles  
 Dim L=Nx2.54+1.5  
 Dim P=(N-1)x2.54

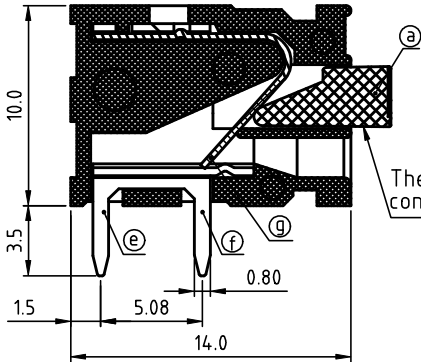
POLES	Dim L	Dim P
2p/4p/6p	±0.20	±0.20
8P/10P/12p	±0.25	±0.25
14P/16p/18p /20p/22p/24p	±0.30	±0.30

PART NO.: NA xx 51 x 100J0 G

No. of poles	0	Black (RAL9005)	RoHS compliant (lead<4%)
End Stackable	2	Red (RAL3001/D)	In copper Alloy
02 2 poles	3	Orange(RAL2011/P)	
04 4 poles	4	Yellow(RAL1018/A)	
...	...	5 Green(RAL6018/T)	
24 24 poles	6	Blue (RAL5015/A)	
	8	Grey(RAL7004/P)	
	9	White(RAL1102)	
	C	Multiple colors	

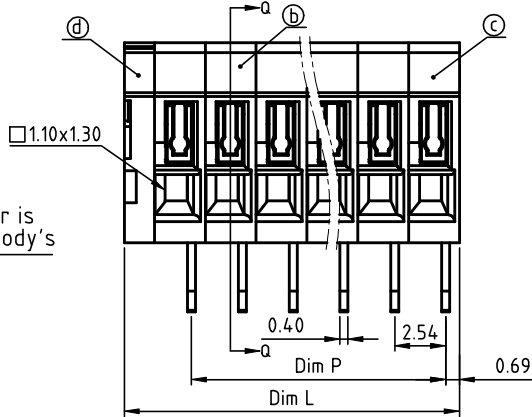


RECOMMENDED P.C.B LAYOUT  
TOP VIEW

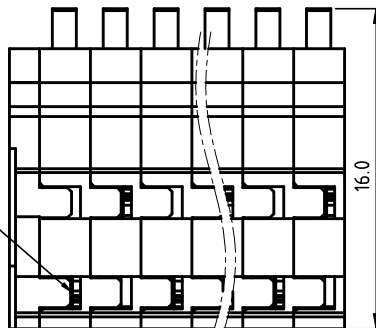


SECTION Q-Q

The color of lever is consistent with body's



Down contacts pin omit  
Top side with cover



Material:

- Item@ Terminal lever: Thermoplastic (UL94V-0)
- ItemⓄ Terminal Normal housing: Thermoplastic (UL94V-0)
- ItemⓄ Terminal side body Thermoplastic (UL94V-0)
- ItemⓄ Terminal cover: Thermoplastic (UL94V-0)
- ItemⓄ Down contacts pin omit Top side: Brass Tin plated
- ItemⓄ Top contacts pin omit Down side: Brass Tin plated
- ItemⓄ wire guard: Stainless steel

Electrical

- |                         |                 |
|-------------------------|-----------------|
|                         | cULus           |
| ●Voltage rating:        | 150V            |
| ●Current rating:        | 3A              |
| ●Wire range:            |                 |
| ●Solid wire(AWG):       | 20-28           |
| ●Stranded wire(AWG):    | 20-28           |
| ●Wire strip length:     | 9-10mm          |
| ●Withstanding Voltage:  | 1.3KV           |
| ●Operating temperature: | -40°C to +115°C |
| ●Soldering temperature: | 260°C±5°C/5 Sec |
| ●Safety Approval:       | cULus           |

mat'l. code		surface ASME Y14.5	tolerance ASME Y14.5	projection	product family TERMINAL BLOCK
ltr	ecn no	dr	date	tolerances unless otherwise specified	title TERMINAL BLOCK
				angles X±1°	scale SPRING CLAMP,180D WIRE INLET,B TYPE,EVEN POLES
				linear X.X±0.5 X.XX±0.3 X.XXX±0.1	dwg no NAxx51x100J0G
dr	EVIN ZHONG	060314			sheet 2 of 2 size A4
enr	EVIN ZHONG	060314			type CUSTOMER Drawing
chr	HANKE FENG	060314			
appd	SHI JUN	060314			
sheet index	revision sheet	A 2			