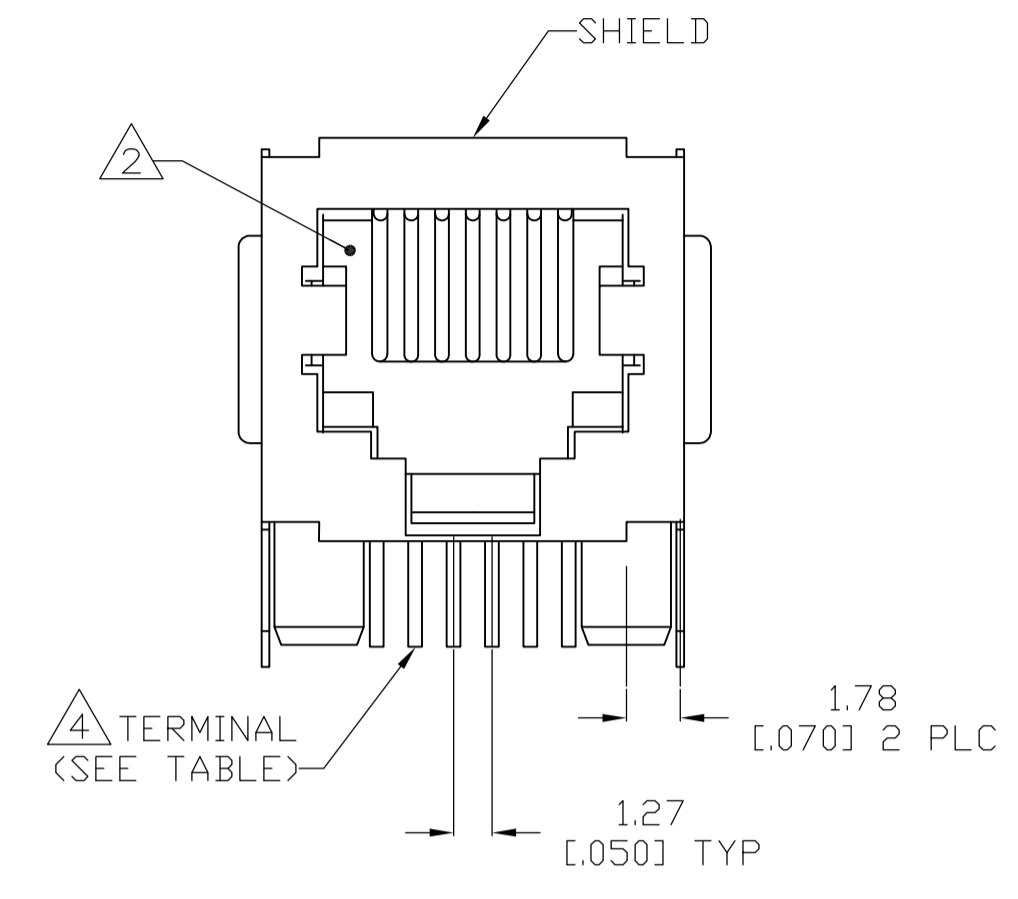
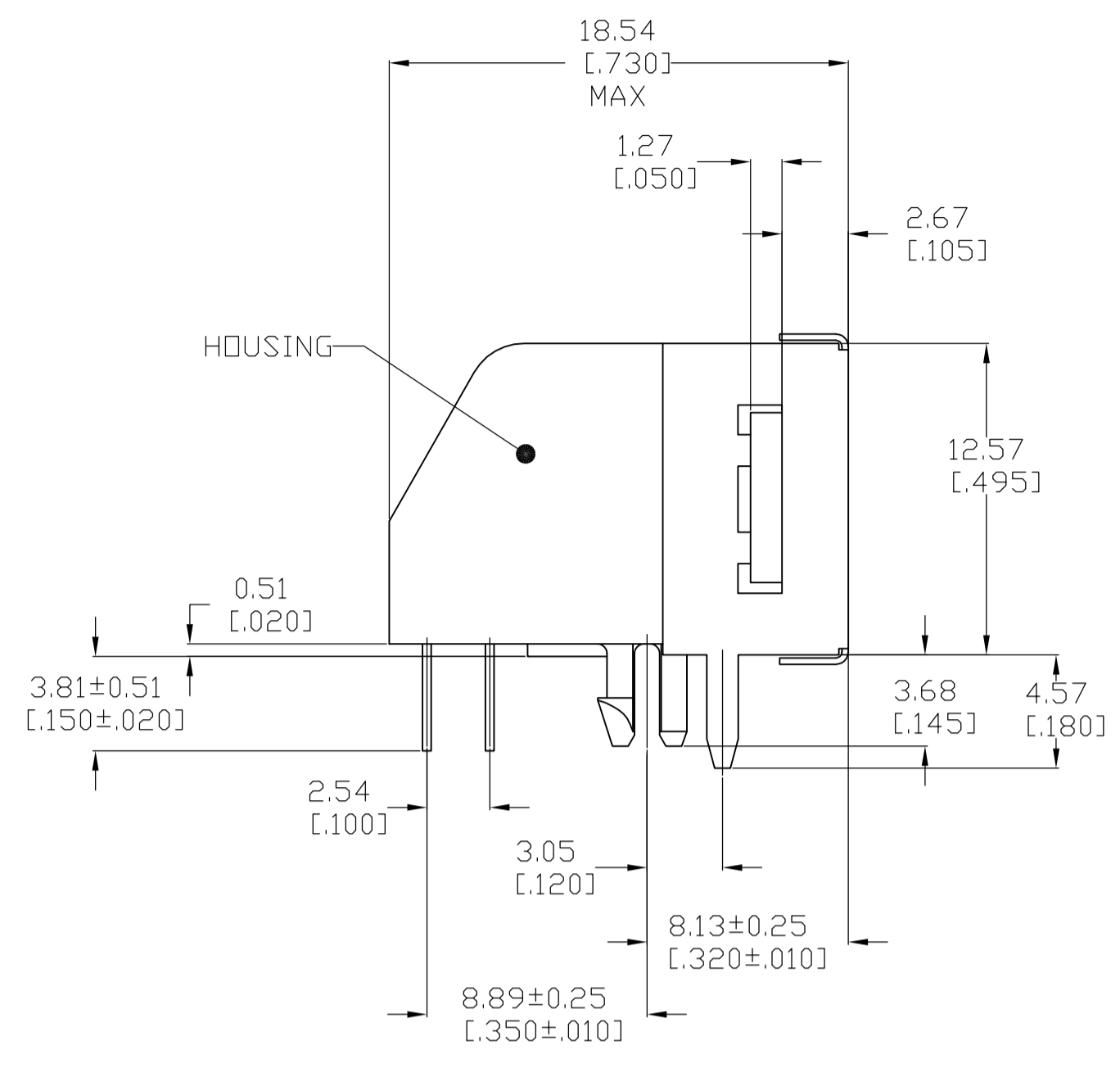
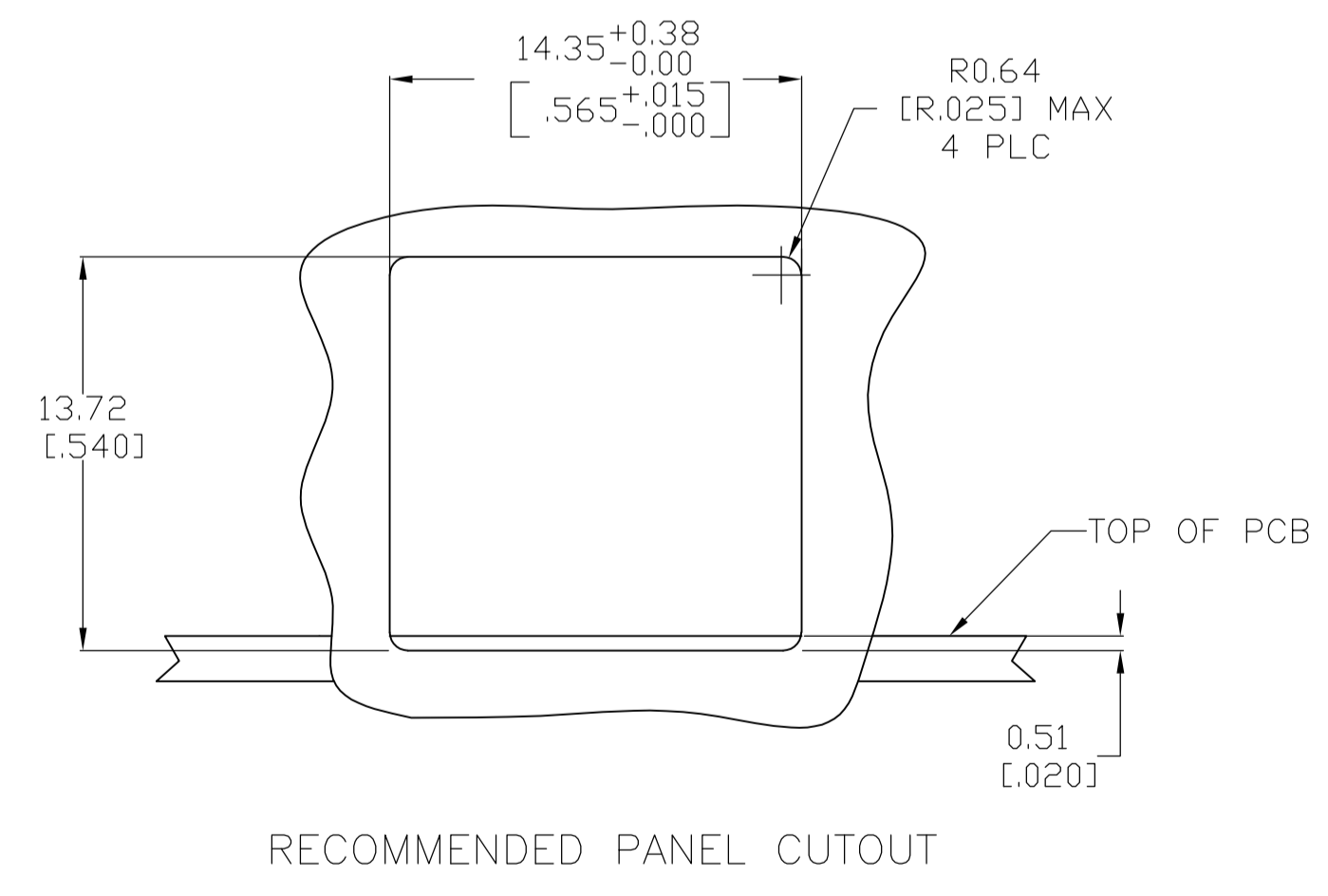
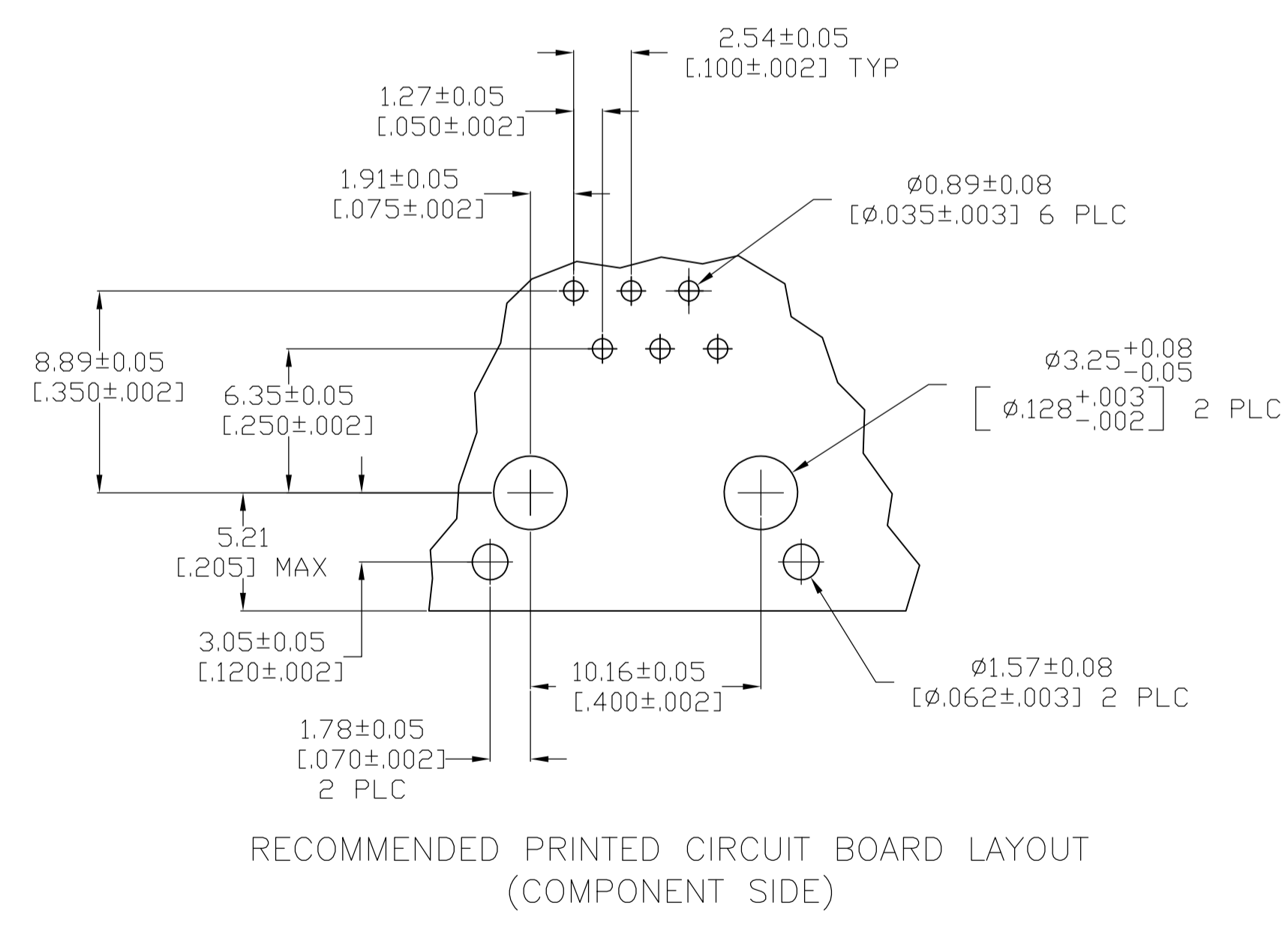
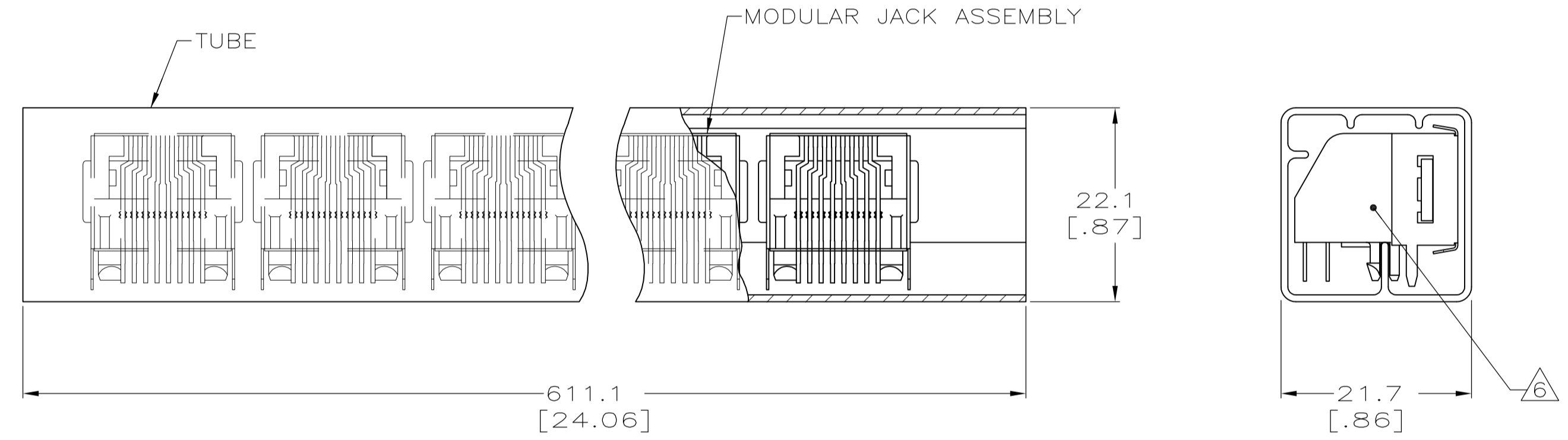
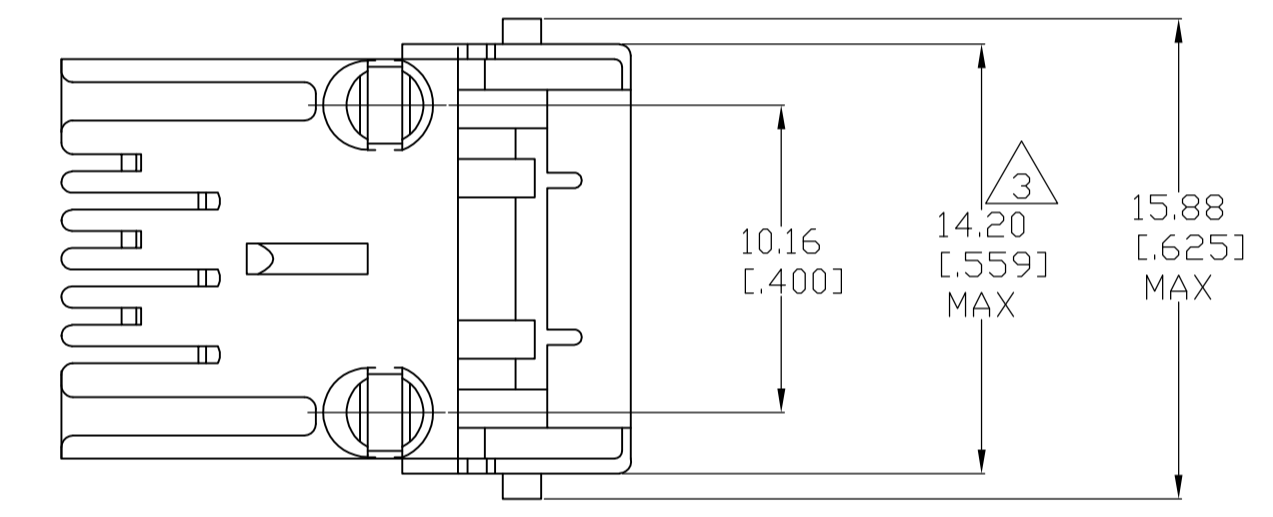


LOC		DIST		REVISIONS			
AA	00	REV	DATE	BY	CHK	APPV	
B1	REVISED PER ECO-11-005033		23MAR11	RK	HMR		



- MATERIAL: HOUSING—PBT POLYESTER, COLOR: BLACK  
 TERMINAL— 0.36[.014] THICK PHOS-BRONZE PLATED WITH 1.27μm[.000050] MINIMUM THICK HARD GOLD IN LOCALIZED GOLD PLATE AREA AND 3.81μm[.000150] MINIMUM THICK MATTE TIN IN SOLDER AREA OVER 1.27μm[.000050] MINIMUM THICK NICKEL UNDERPLATE  
 SHIELD—0.25[.010] THICK COPPER ALLOY  
 PLATED WITH 3.0μm[.000120] MINIMUM REFLOWED TIN
- △ CAVITY CONFORMS TO FCC RULES AND REGULATIONS PART 68, SUBPART F.
  - △ DIMENSION MEASURED ALONG FRONT EDGE OF MATING FACE
  - △ TERMINALS FOR 5555154-2 LOCATED IN CENTER POSITIONS.
  - △ BULK PACKAGED IN TRAYS.
  - △ PACKAGED 36 ASSEMBLIES PER TUBE. SEE DETAIL "A".



PACKAGE	TERMINALS REQUIRED	PART NUMBER
△ 6	6	5555154-4
△ 5	4	5555154-2
△ 5	6	5555154-1

THIS DRAWING IS A CONTROLLED DOCUMENT.

DIMENSIONS: mm [INCHES]	TOLERANCES UNLESS OTHERWISE SPECIFIED:	DIN G. ATTADIA - 08/JUN/2005	DRWCKS	08/JUN/2005
0 PLC ± -	1 PLC ± -	APVD J. WESTMAN	08/JUN/2005	
2 PLC ± ± 0.13[0.005]	3 PLC ± ± -	NAME S. FLICKINGER	08/JUN/2005	
4 PLC ± ± -	ANGLES ± ± -	PRODUCT SPEC 108-1163		
MATERIAL SEE NOTE 1	FINISH SEE NOTE 1	APPLICATION SPEC 114-2048	SIZE A1	CAGE CODE 00779
		WEIGHT -	SCALE 4:1	DRAWING NO. 5555154
		CUSTOMER DRAWING	SHEET 1 OF 1	REV B1

STE TE Connectivity

MODULAR JACK ASSEMBLY, SHIELDED, 6 POSITION, LOW PROFILE, RIGHT ANGLE, PRINTED CIRCUIT BOARD GROUND WITH PANEL STOPS