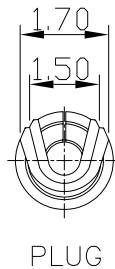
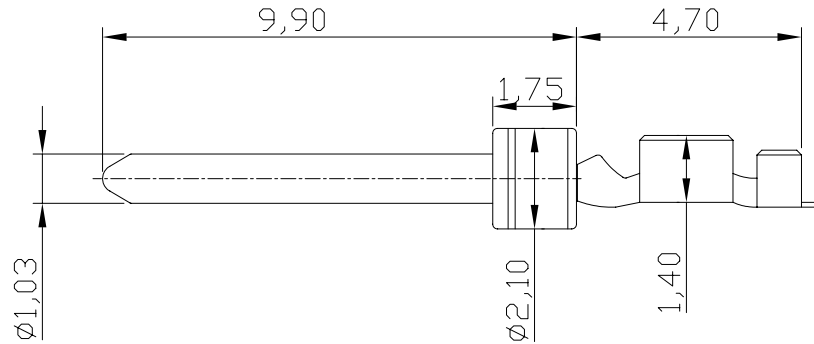


This document is the property of Amphenol Corporation and is delivered on the express condition that it is not to be disclosed, reproduced or used, in whole or in part, for manufacture or sale by anyone other than Amphenol Corporation without its prior consent, & that no right is granted to disclose or to use any information in this document.



REVISIONS				
SYM	ECN	DESCRIPTION	DATE	APPROVED
A			12/19/07	

**D-SUB TECHNICAL DATA**

**CONTACTS:**

Material: Brass  
 Finishes: gold flash on full contact.  
 Contact current rating: 3A  
 Contact resistance: 20 mOhms max.

**PRODUCT CODE**

**L 17 RR D2 M 01 100**

L: RoHS Compliance

Wire size:  
D2=24 to 28 AWG

Contact type:  
M=male

Packaging:  
100=bulkpack unit  
(100cts)

Selective gold plating:  
01= Gold flash

UNLESS OTHERWISE SPECIFIED		APPROVAL	DATE
TOLERANCES		DRAWN	Christine.cui 12/19/07
U.S.	METRIC	CHECKED	lik.wang 12/19/07
.X	+/-	CHECKED	
.XX	+/-		
.XXX	+/-		
FRACTIONS	+/-		
ANGLES	+/-		
FOR MATERIALS AND FINISHES SEE NOTES		DRAWING FILE :	
REMOVE SHARP EDGES		ANGLE OF PROJECTION	
DIMENSIONS			
U.S.	INCHES	SIZE	DRAWING NO.
METRIC	MM	A4	C L17RRD2M01100

Amphenol

TITLE		
CONTACTS, RR series		
SCALE	NONE	SHEET 1 OF 1
REV.	A	