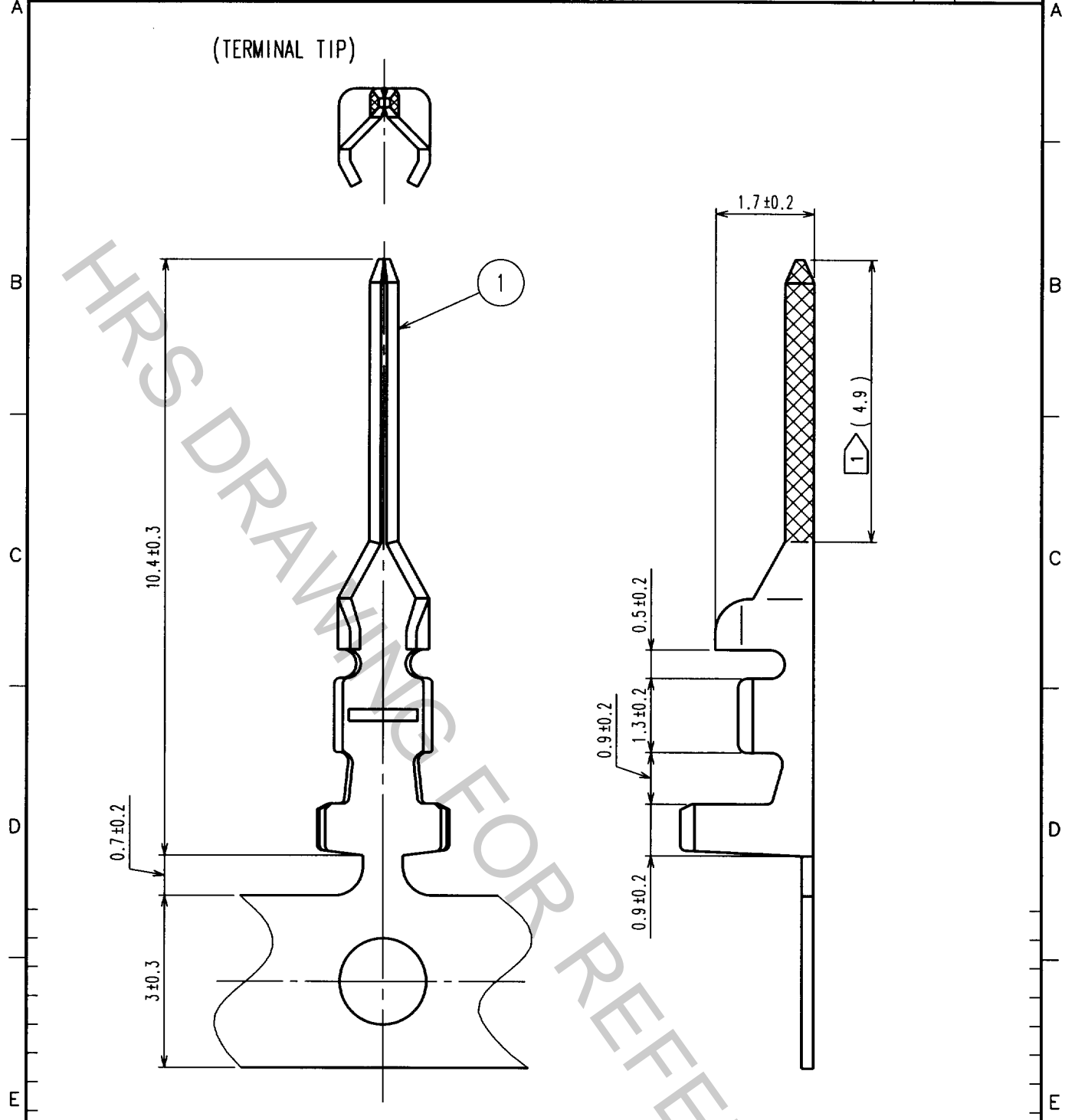


1					2					3					4				
COUNT	DESCRIPTION OF REVISIONS				BY	CHKD	DATE	COUNT	DESCRIPTION OF REVISIONS				BY	CHKD	DATE				
△							..	△							..				
△								△							..				
△								△							..				



NOTES 1 GOLD PLATING AREA
 2 10000 UNITS PER REEL.

1	PHOSPHOR BRONZE	CONTACT AREA: GOLD PLATED CRIMPING AREA: NICKEL PLATING
---	-----------------	--

NO.	MATERIAL	FINISH, REMARKS	NO.	MATERIAL	FINISH, REMARKS
-----	----------	-----------------	-----	----------	-----------------

CODE NO. (OLD)		DRAWN	DESIGNED	CHECKED	APPROVED	RELEASED
		S. Hara	F. Asai	C. Hanami	K. Katayama	
		'00. 6. 19	'00. 6. 19	'00. 6. 19	'00. 6. 19	

SACLE 10 : 1 UNITS mm	DRAWING NO.	PART NO.
	EDC4-071511	DF11-EP2428PCFA
HRS HIROSE ELECTRIC CO., LTD.	CODE NO.	1/1
	CL543-0617-0	

TO

