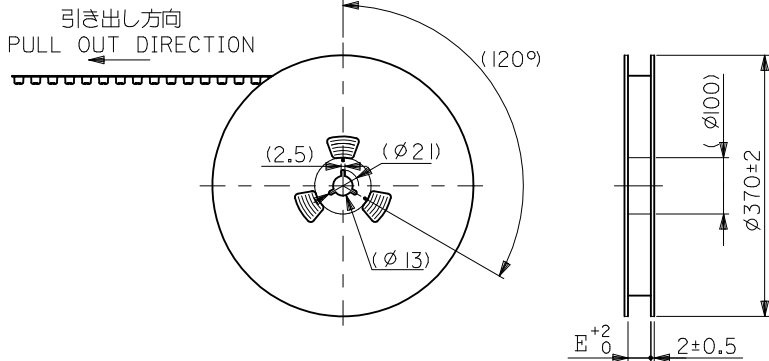


	55.07	53.47	50.165	58.67	52901-1674		160
	48.72	47.12	43.815	52.32	↑ -1474		140
	42.37	40.77	37.465	45.97	-1274		120
無し NO	36.02	34.42	31.115	39.62	-1074	52901-1075	100
	32.85	31.25	27.94	36.45	-0974	↑ -0975	90
	29.67	28.07	24.765	33.27	-0874	↑ -0875	80
	26.5	24.9	21.59	30.1	-0774	↑ -0775	70
有り YES	23.32	21.72	18.415	26.92	-0674	↑ -0675	60
	16.97	15.37	12.065	20.57	-0474	↑ -0475	40
	13.8	12.2	8.89	17.4	↓ -0374	↓ -0375	30
	10.62	9.02	5.715	14.22	↓ -0274	↓ -0275	20
ハウジングブロック HS'G LOCK	D	C	B	A	エンボス梱包 EMBOSSED PACKAGING	スティック梱包 STICK PACKAGING	種数 CKT. NO.
CONNECTORS SERIES No.					52901-**72		

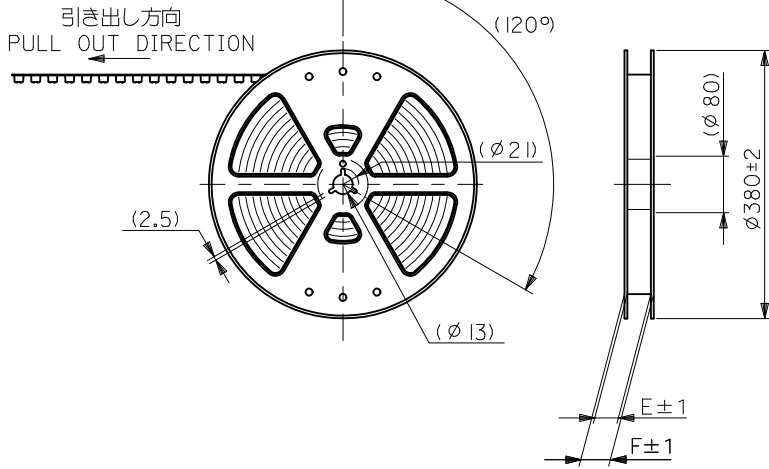
- 注) NOTES
- 材質 MATERIAL
 ハウジング: ガラス入りLCP、白色、UL94V-0
 HOUSING: G.F.LCP, WHITE, UL94V-0
 ターミナル: 銅合金 (t=0.2)
 TERMINAL: COPPER ALLOY
 吸着カバー: ステンレス (t=0.2)
 VACUUM COVER: STAINLESS STEEL
 補強金具: 銅合金 (t=0.25)
 FITTING NAIL: COPPER ALLOY
 - メッキ仕様 PLATING
 ターミナル: 接点部 : 金メッキ 0.25 μmMIN.
 TERMINAL: CONTACT AREA: GOLD 0.25 μmMIN.
 半田付け部: 錫メッキ 1 μmMIN.
 SOLDER TAIL AREA: TIN 1 μmMIN.
 下地メッキ: ニッケルメッキ 2 μmMIN.
 UNDER-PLATING: NICKEL 2 μmMIN.
 - テールのバラツキ寸法 TAIL COPLANARITY
 テール平坦度は、0.1 MAX.とする。
 TAILS COPLANARITY TO BE 0.1 MAX.
 - エンボス対応済みの種別については、SD-52901-009を参照下さい。
 FOR THE EMBOSSED PACKAGE PRODUCTS, SEE SD-52901-009.
 - 本製品は 52901-***2 の鉛フリー品である。
 THIS PRODUCT IS LEAD FREE OF 52901-***2.

REVISED EC NO. J2012-1233 D	2012/03/16 DRWN: KAIHO	GENERAL TOLERANCES (UNLESS SPECIFIED)		DIMENSION STYLE MM ONLY		SCALE ---		DESIGN UNITS METRIC		THIRD ANGLE PROJECTION	
	2012/03/16 CHKD: TASAKAWA	10 UNDER	±0.2	DRAWN BY M. NINOMIYA	DATE '04/03/04	TITLE 0.635 PITCH B-TO-B CONN. REC. HS'G COVER ASS'Y -LEAD FREE-					
	2012/03/19 APPR: MSASAO	10 OVER 30 UNDER	±0.25	CHECKED BY K. TOJO	DATE '04/03/04	MOLEX INCORPORATED					
	REV	30 OVER	±0.3	APPROVED BY M. SASAO	DATE '04/03/04	DOCUMENT NO. SD-52901-008					
DESCRIPTION		ANGULAR ±3 °		MATERIAL NO.		SEE TABLE		SHEET NO. 1 OF 1		THIS DRAWING CONTAINS INFORMATION THAT IS PROPRIETARY TO MOLEX INCORPORATED AND SHOULD NOT BE USED WITHOUT WRITTEN PERMISSION	
		DRAFT WHERE APPLICABLE MUST REMAIN WITHIN DIMENSIONS		SIZE A3							

20~140P



160P

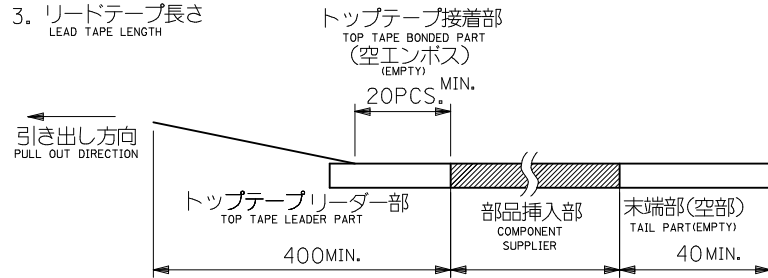


注)
NOTES

1. 製品番号 52901-***72 の詳細寸法については、SD-52901-008 を参照下さい。
IN THE PACKAGE , PART NO. 52901-***72 DETAILED DIMENSIONS , SEE SD-52901-008

2. 梱包数量 : 440 個/リール
NUMBER OF CONNECTORS : 440 PCS/REEL

3. リードテープ長さ
LEAD TAPE LENGTH



4. トップテープの剥離強度 (剥離方向は下図参照)

PEELING OFF FORCE OF TOP TAPE (PEELING DIRECTION AS SHOWN IN FOLLOWING FIG.)

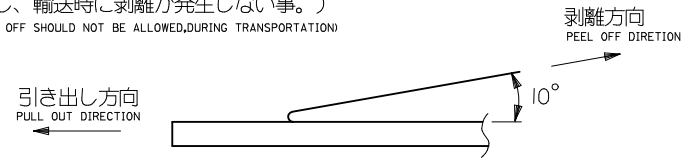
0. 1N~1.3N {10gf~130gf} : キャリアテープ幅24mm~72mm
CARRIER TAPE WIDTH 24mm~72mm

尚、本規格値は、出荷時に適用。

THIS REQUIREMENT SHOULD BE APPLIED AT SHIPMENT

(但し、輸送時に剥離が発生しない事。)

(PEEL OFF SHOULD NOT BE ALLOWED,DURING TRANSPORTATION)



5. 材料

MATERIAL

キャリアテープ : ポリプロピレン (PP)

CARRIER TAPE : POLYPROPYLENE (PP)

トップテープ : PET, PE, PEF

TOP TAPE : PET , PE , PEF

リール : 紙 (20~140P)

ポリスチレン (160P)

REEL: CARD BOARD (20~140P)

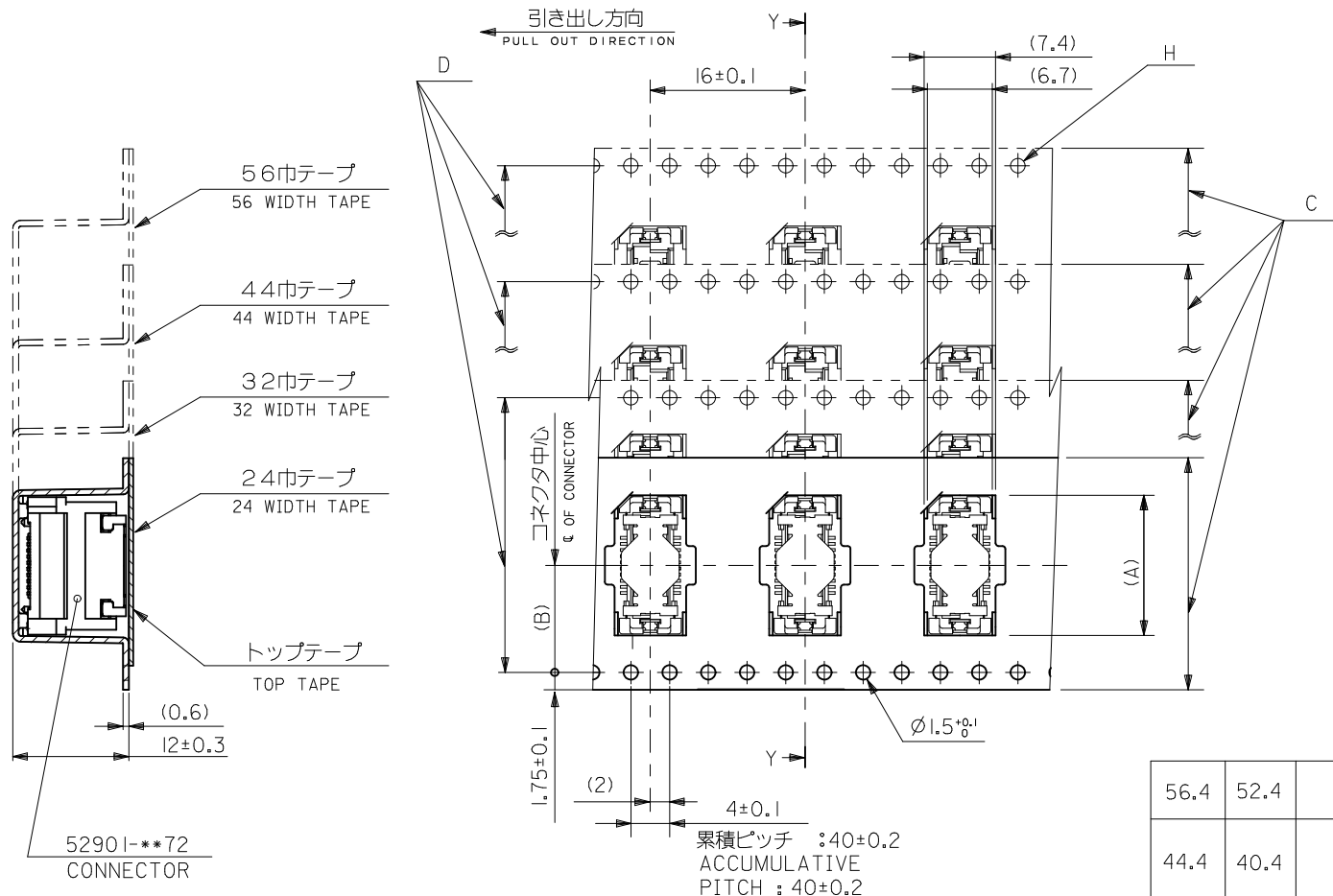
: POLYSTYRENE (160P)

6. 本製品は 52901-***4 の鉛フリー品である。

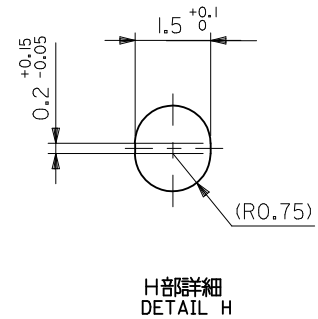
THIS PRODUCT IS LEAD FREE OF 52901-***4.

52901-***74
MODEL NO.

REVISED EC NO: J2012-1233 DRWN:TKAIHO 2012/03/19 CHKD:TASAKAWA 2012/03/19 APPR:MSASAO 2012/03/19	DESCRIPTION	GENERAL TOLERANCES (UNLESS SPECIFIED)		DIMENSION STYLE MM ONLY		SCALE ---	DESIGN UNITS METRIC	THIRD ANGLE PROJECTION	
		10 UNDER	± ---	DRAWN BY M. NINOMIYA	DATE '04/03/04	TITLE EMBOSSED TAPE PACKAGE FOR 52901-***72 -LEAD FREE-			
		10 OVER 30 UNDER	± ---	CHECKED BY K. TOJO	DATE '04/03/04	MOLEX INCORPORATED			
		30 OVER	± ---	APPROVED BY M. SASAO	DATE '04/03/04				
REV	DESCRIPTION	ANGULAR ± --- °	DRAFT WHERE APPLICABLE MUST REMAIN WITHIN DIMENSIONS	MATERIAL NO. SEE CHART		DOCUMENT NO. SD-52901-009		SHEET NO. 1 OF 3	



断面 Y-Y
SECTION Y-Y



H部詳細
DETAIL H

REVISED	EC NO: J2012-1233	2012/03/19	DRWN:TKAIHO
	CH'KD:TASAKAWA	2012/03/19	APPR:MSASAO
	2012/03/19		
DESCRIPTION	GENERAL TOLERANCES (UNLESS SPECIFIED)		
REV	10 UNDER	± ---	
	10 OVER 30 UNDER	± ---	
	30 OVER	± ---	
	ANGULAR	± --- °	
	DRAFT WHERE APPLICABLE MUST REMAIN WITHIN DIMENSIONS		

56.4	52.4	56 ^{+0.3}	26.2	39.9	52901-1074	100
				36.8	-0974	90
44.4	40.4	44 ^{+0.3}	20.2	33.6	-0874	80
				30.4	-0774	70
32.4	28.4	32 ^{+0.3}	14.2	27.2	-0674	60
				20.9	-0474	40
24.4		24 ^{+0.3}	11.5	17.7	-0374	30
				14.5	52901-0274	20
E	D	C	B	A	MATERIAL NO.	極致 CKT.NO.

DIMENSION STYLE MM ONLY		SCALE ---	DESIGN UNITS METRIC	THIRD ANGLE PROJECTION
DRAWN BY M. NINOMIYA	DATE '04/03/04	TITLE EMBOSSD TAPE PACKAGE FOR 52901-**-72 -LEAD FREE-		
CHECKED BY K. TOJO	DATE '04/03/04	MOLEX INCORPORATED		
APPROVED BY M. SASAO	DATE '04/03/04	DOCUMENT NO. SD-52901-009		
MATERIAL NO.	SEE CHART	SHEET NO. 2 OF 3		
SIZE A3	THIS DRAWING CONTAINS INFORMATION THAT IS PROPRIETARY TO MOLEX INCORPORATED AND SHOULD NOT BE USED WITHOUT WRITTEN PERMISSION			

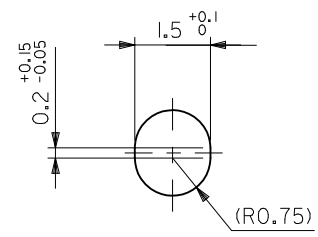
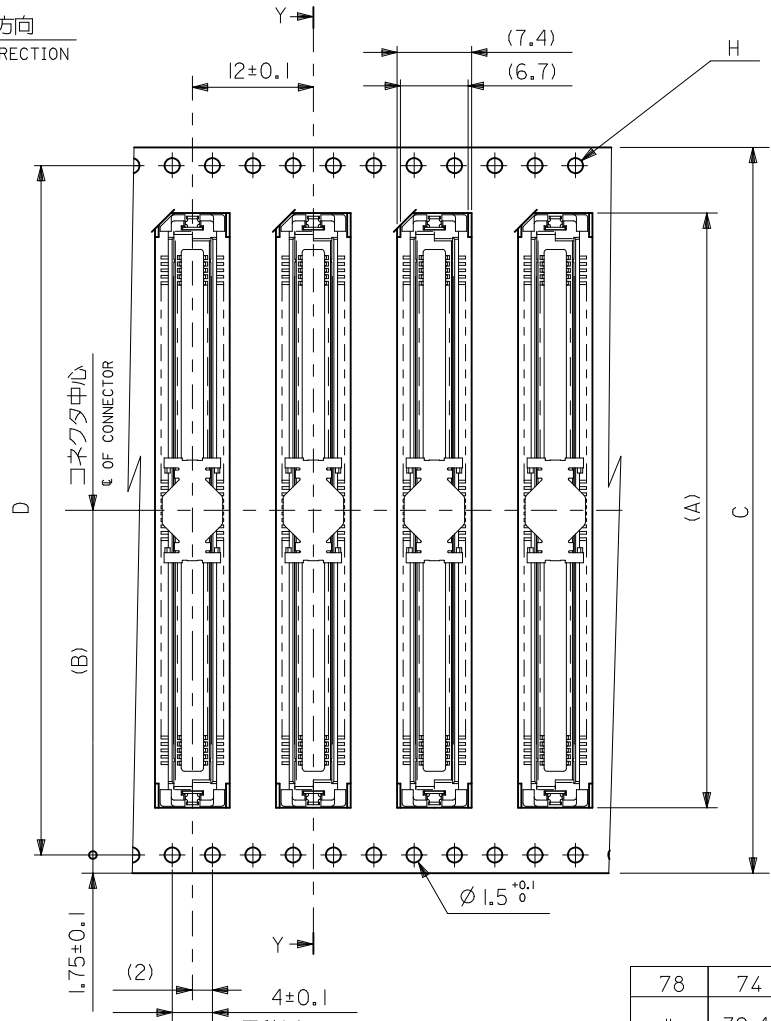
引き出し方向
PULL OUT DIRECTION

72巾テープ
72 WIDTH TAPE

トップテープ
TOP TAPE

52901-**72
CONNECTOR

断面 Y-Y
SECTION Y-Y



H部詳細
DETAIL H

累積ピッチ : 40±0.2
ACCUMULATIVE PITCH : 40±0.2

78	74	68.4	72±0.3	34.2	59.0	59201-1674	160
—	72.4				52.6	52901-1474	140
F	E	D	C	B	A	MATERIAL NO.	極致 CKT.NO.

REVISED EC NO.: J2012-1233 DRWN:TKAIHO CHKD:TASAKAWA APPR:MSASAO	DESCRIPTION REV	GENERAL TOLERANCES (UNLESS SPECIFIED)		DIMENSION STYLE MM ONLY		SCALE ---		DESIGN UNITS METRIC		THIRD ANGLE PROJECTION		
		10 UNDER	±---	DRAWN BY M.NINOMIYA	DATE '04/03/04	TITLE EMBOSSSED TAPE PACKAGE FOR 52901-**72 -LEAD FREE-						
		10 OVER 30 UNDER	±---	CHECKED BY K.TOJO	DATE '04/03/04	MOLEX INCORPORATED						
		30 OVER	±---	APPROVED BY M.SASAO	DATE '04/03/04	SEE CHART		DOCUMENT NO. SD-52901-009		SHEET NO. 3 OF 3		
ANGULAR ±---°		DRAFT WHERE APPLICABLE MUST REMAIN WITHIN DIMENSIONS		THIS DRAWING CONTAINS INFORMATION THAT IS PROPRIETARY TO MOLEX INCORPORATED AND SHOULD NOT BE USED WITHOUT WRITTEN PERMISSION								

10 9 8 7 6 5 4 3 2 1

F

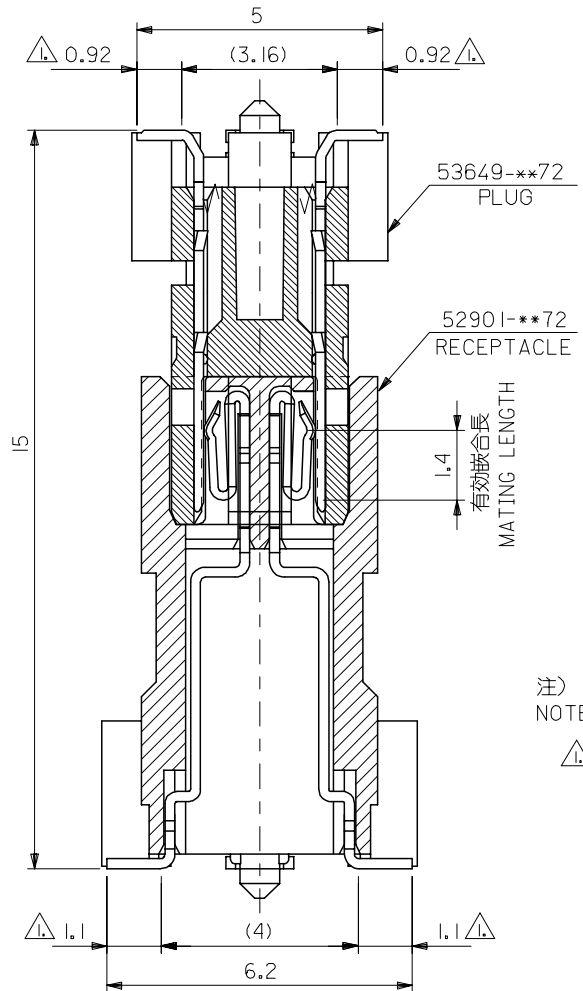
E

D

C

B

A



注)
NOTE)
△ 基板接地長さ
FLAT AREA

RELEASED EC NO: J2005-3798 DRW: KENSUZUKI 2005/06/20 CHK: D: NUKITA 2005/06/20 APPR: NUKITA 2005/06/23	GENERAL TOLERANCES (UNLESS SPECIFIED)		DIMENSION STYLE MM ONLY	SCALE 10:1	DESIGN UNITS METRIC	THIRD ANGLE PROJECTION
	10 UNDER	±0.2	DRAWN BY KENSUZUKI	DATE 2005/06/20	TITLE 0.635 PITCH B TO B CONN. 52901/53649 SERIES MATING CROSS SECTION	
	10 OVER 30 UNDER	±0.25	CHECKED BY NUKITA	DATE 2005/06/20	MOLEX INCORPORATED	
	30 OVER	±0.3	APPROVED BY NUKITA	DATE 2005/06/20	DOCUMENT NO. SD-52901-015	SHEET NO. 1 OF 1
	ANGULAR	±3 °	MATERIAL NO. SEE DRAWING			
0	DRAFT WHERE APPLICABLE MUST REMAIN WITHIN DIMENSIONS		SIZE A3	THIS DRAWING CONTAINS INFORMATION THAT IS PROPRIETARY TO MOLEX INCORPORATED AND SHOULD NOT BE USED WITHOUT WRITTEN PERMISSION		

9

8

7

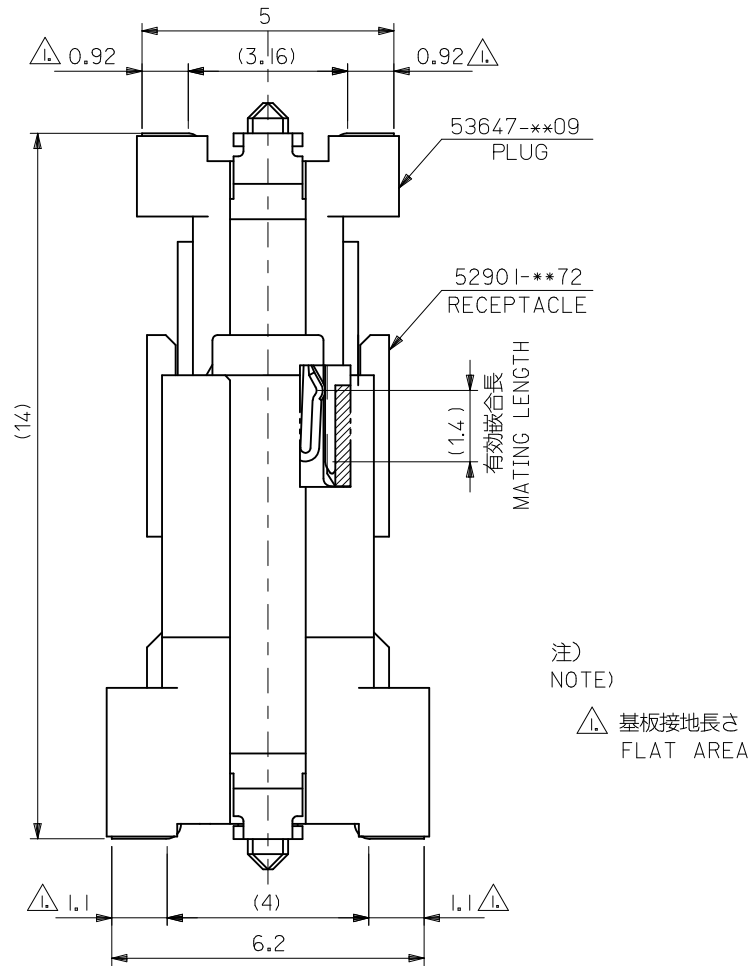
6

5

4

3

2



RELEASED EC NO: J2012-1293 DRWN:TKAIHO 2012/04/09 CHKD:TASAKAWA 2012/04/10 APPR:MSASAO 2012/04/13	GENERAL TOLERANCES (UNLESS SPECIFIED)		DIMENSION STYLE MM ONLY	SCALE 10:1	DESIGN UNITS METRIC	THIRD ANGLE PROJECTION
	10 UNDER	± 0.2	DRAWN BY TKAIHO	DATE 2012/04/09	TITLE 0.635 BB CONN. 52901/53647 SERIES MATING DRAWING	
	10 OVER 30 UNDER	± 0.25	CHECKED BY TASAKAWA	DATE 2012/04/10		
	30 OVER	± 0.3	APPROVED BY MSASAO	DATE 2012/04/13		
	ANGULAR ±3 °		MATERIAL NO. SEE DRAWING	DOCUMENT NO. SD-52901-017		
DRAFT WHERE APPLICABLE MUST REMAIN WITHIN DIMENSIONS		SIZE A3	THIS DRAWING CONTAINS INFORMATION THAT IS PROPRIETARY TO MOLEX INCORPORATED AND SHOULD NOT BE USED WITHOUT WRITTEN PERMISSION			