

SUMMARY

Wires

Low	6
High	0
Coax	0
Triax	0
Quad	0
Fiber	0
Fluidic	0



Image is for illustrative purpose only

Download

[Request a quote](#)

[Catalog](#)

Series	2M
Termination type	Female crimp
IP rating	68
Cable Ø	6.50 - 13.00 mm
Matching parts	FGN.2M.306.XRCT3
Status	
Alternative part	

TECHNICAL DETAILS

Mechanics

Shell Style/Model	PE*: Fixed receptacle, nut fixing and mold stop
Keying	3 keys (beta=165, gamma=30, plug: male contacts, receptacle: female contacts)
Housing Material	Environment friendly aluminium (nickel plated, anthracite color) shell and nut, other pieces bronze/brass
Cable Fixing	∅ 6.5 - 13 mm
Variant	

Performance

Configuration
Insulator
Rated Current

Specifications

Contact Type: Crimp

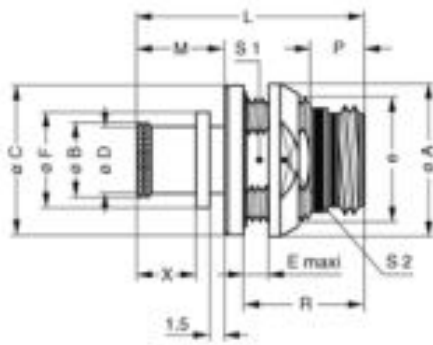
Others

Humidity (max): ≤95% [at 60 deg C / 140 F]

Vibration: 15 g [10 Hz - 2000 Hz]
 Shock Resistance: 100 g [6 ms]
 Operating temperature: -55 °C/ +200 °C
 Climatical Category: 15/200/21 (Al. shell)
 Lighting strike EIA 364-75 10K amps - 6 times
 EMI Shielding EIA 364-66A - 1Ghz-80 dB,3GHz-70 dB,6GHz- 58dB
 IP Rating: 68

DRAWINGS

Draws



Dimensions

	A	B	C	D	E	Lr	Ls	M	P	R	S1	S2	e
mm.	21	14	20.8	13	5	26	26	10.1	5.3	13.8	15.5	18	M17x1.00
in.	0,83	0,55	0,82	0,51	0,20	1,02	1,02	0,40	0,21	0,54	0,61	0,71	

RECOMMENDED BY LEMO

Tools

Crimp Tool: DPC.91.701.V
 Crimp settings: AWG/Selector = 22-24-26 16-18-20/6-5-5 8-7-7
 Positionner: DCE.91.070.3MVM
 Positionner 2: DCE.91.130.5MVM
 Extractor: DCF.93.131.4LT
 Extractor 2: DCF.93.070.4LT
 Replacement contact: EGN.0M.655.ZZM / EGN.0M.665.ZZM
 Spanner wrench: DCM.65.000.4PA

Cables

