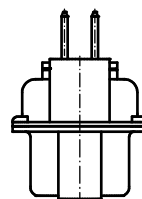
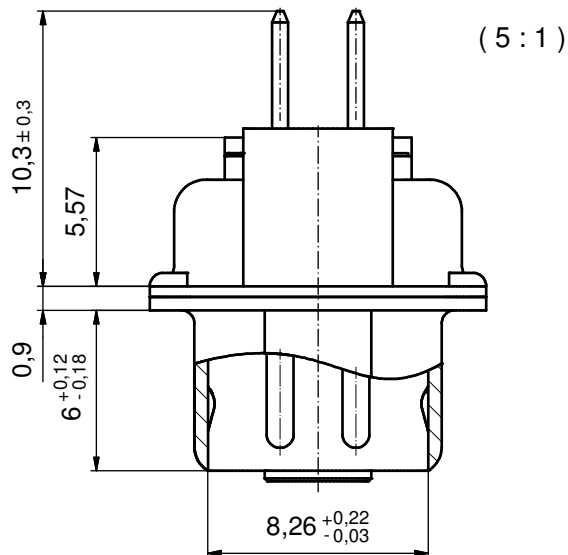
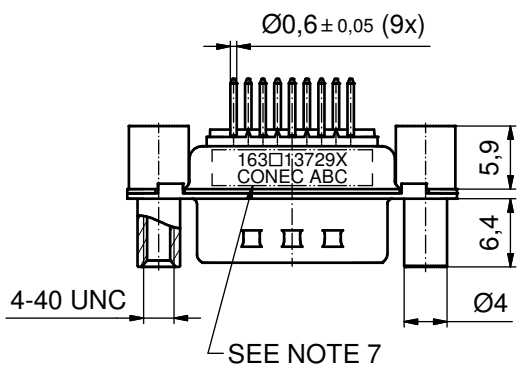
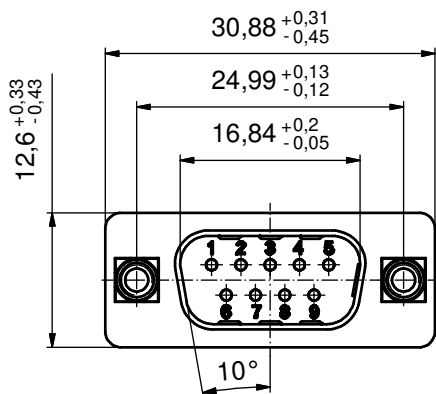
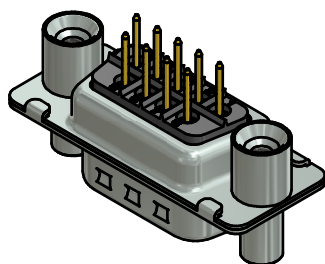


P.C.B. HOLE DRILLINGS
(P.C.B. TOP SIDE)



(b) NOTES:

- METALSHELLS: STEEL; min. 315µm TIN over 40-80µm NICKEL
- INSULATORS: PBT GF UL 94 V-0; BLACK
- CONTACTS: COPPER ALLOY; PLATING (SEE PART NO.):
 - PLEASE ADD A for GOLD FLASH over NICKEL (PREFERRED TYPE)
 - PLEASE ADD B for 20µm HARD GOLD over min. 50µm NICKEL
 - PLEASE ADD C for 30µm HARD GOLD over min. 50µm NICKEL
- THREADED REAR SPACERS / FRONT THREADED LOCKS: COPPER ALLOY; min. 200µm TIN over 80µm NICKEL
- SLEEVES: COPPER ALLOY; min. 200µm TIN over 80µm NICKEL
- MAXIMUM TORQUE VALUE FOR THREAD: 6 in.LB
- CONNECTOR IS PART MARKED: 163□13729X CONEC ABC (see note 3)



Directive 2002/95/EC RoHS compliant

THIS DRAWING MAY NOT BE COPIED OR REPRODUCED IN ANY WAY, AND MAY NOT BE PASSED ON TO A THIRD PARTY WITHOUT WRITTEN PERMISSION. OWNERSHIP AND COPYRIGHT OF CONEC GmbH DO NOT ALTER CAD DRAWING BY HAND				tolerance		dim. in mm	scale:	2:1 (5:1)
				date			name	
		drawn		27.05.14	Henneboel		title: D-SUB MALE 9pos. SOLDER PIN STRAIGHT with threaded rear spacer / front threaded lock	
		appd.						
		norm						
		d-old		16K1A657/16K2A657		dwg no:		16K1A3464 (b)
2 x b	A5226	27.05.2014	K.H.			part no:		
a	Original							DIN-A3 sh: 1
rev.	description	date	name					