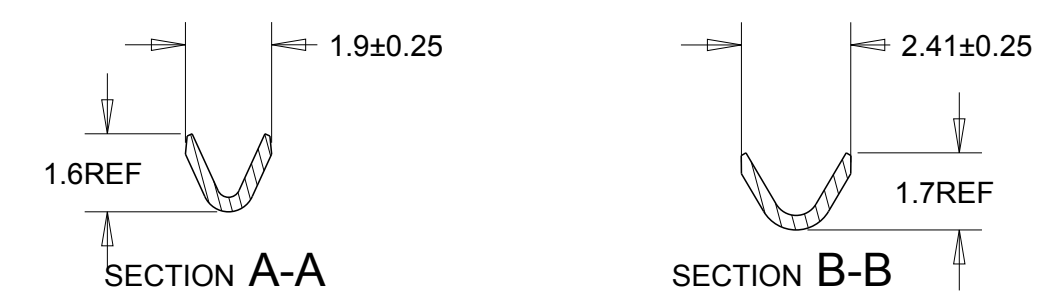
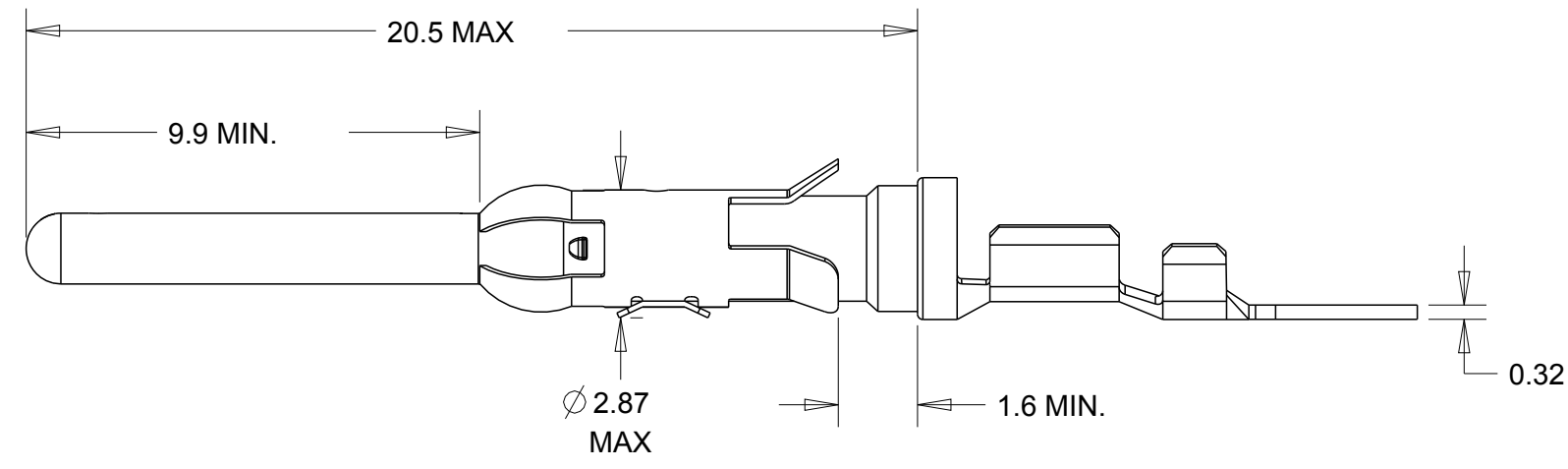
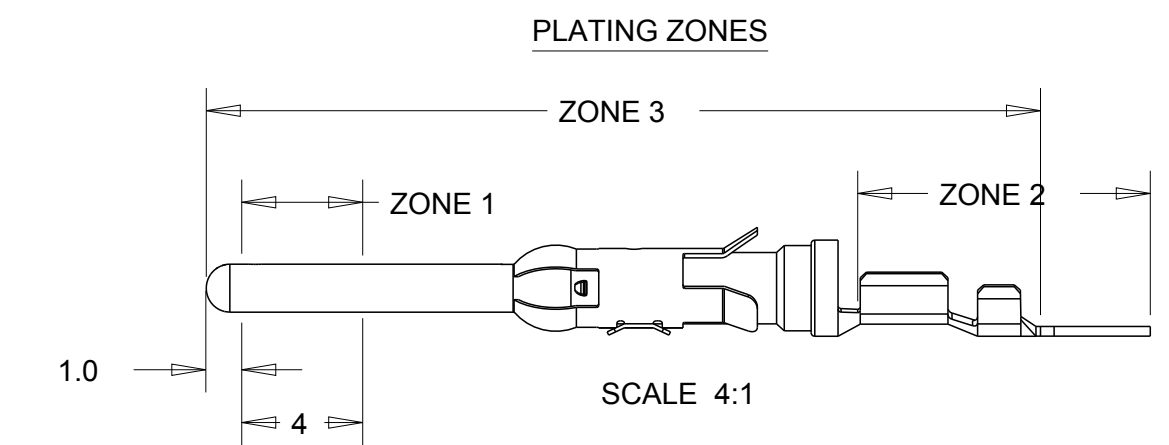
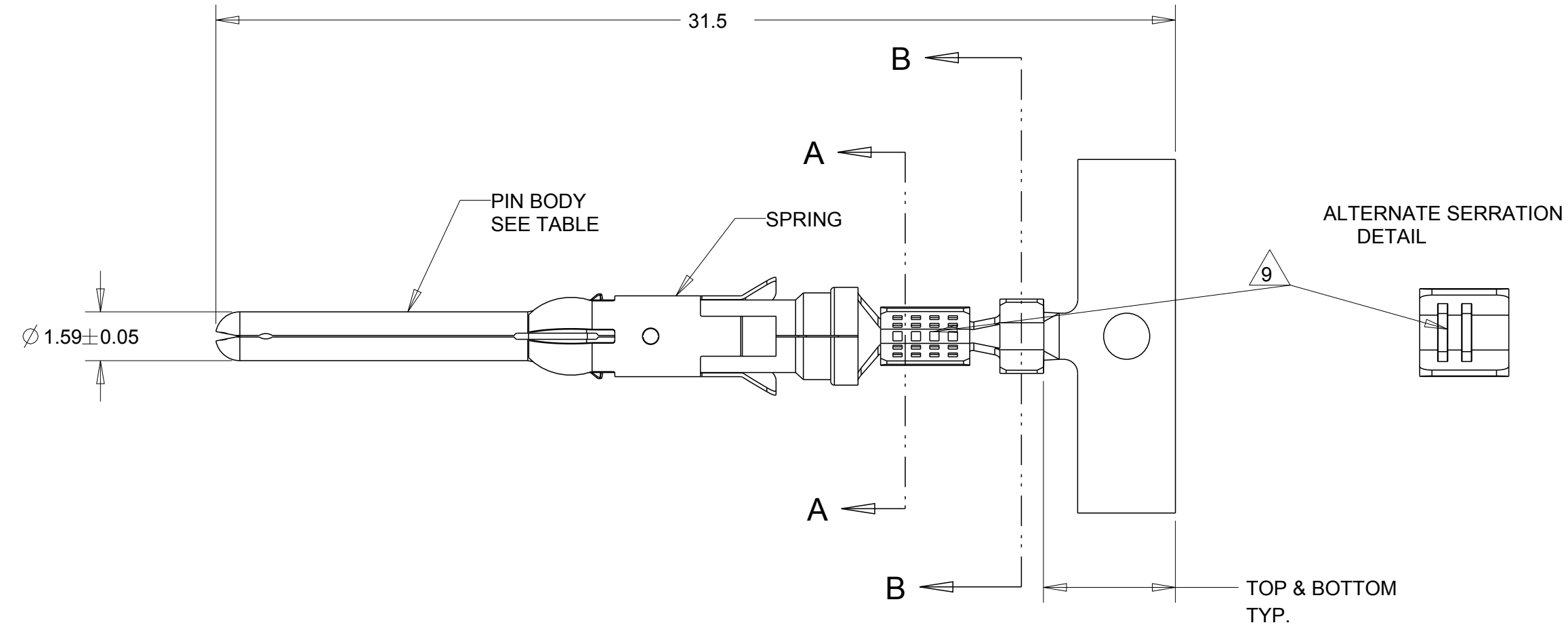
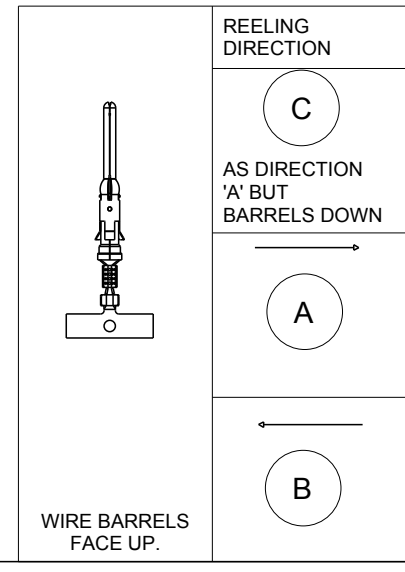


THIS DRAWING IS UNPUBLISHED. RELEASED FOR PUBLICATION 2011  
 © COPYRIGHT 2011 ALL RIGHTS RESERVED.

| LOC | DIST | REVISIONS   |               |          |        |
|-----|------|-------------|---------------|----------|--------|
| P   | LTR  | DESCRIPTION | DATE          | DWN      | APVD   |
| B   | -    | AA          | ECR-12-010700 | 11/06/12 | MJG DP |



- 1 1.27 MICRON MIN NICKEL PLATE OVER ZONE 3.  
0.76 MICRON MIN PRECIOUS METAL PLATE OVER ZONE 1.  
1 MICRON MIN TIN PLATE OVER ZONE 2.  
(CONFORMS TO THE REQUIREMENTS OF TE CONNECTIVITY PRODUCT SPEC 108-10042  
BASED ON EIA/ECA-364-1000.01A (CONTROLLED ENVIRONMENT APPLICATIONS))
- 2 1.27 MICRON MIN NICKEL PLATE OVER ZONE 3.  
0.76 MICRON MIN PRECIOUS METAL PLATE OVER ZONE 1.  
0.076 MICRON MIN GOLD FLASH PLATE OVER THE REMAINDER OF ZONE 3.  
(CONFORMS TO THE REQUIREMENTS OF TE CONNECTIVITY PRODUCT SPEC 108-10042  
BASED ON EIA/ECA-364-1000.01A (CONTROLLED ENVIRONMENT APPLICATIONS))
- 3 1.54 - 2.54 MICRON SILVER PLATE OVER ZONE 3.
- 4 1.27 MICRONS MIN NICKEL PLATE OVER ZONE 3.  
0.76 MICRON MIN GOLD PLATE OVER ZONE 1.  
0.076 MICRON MIN GOLDFLASH PLATE OVER THE REMAINDER OF ZONE 3.
- 5 1.27 MICRONS MIN NICKEL PLATE OVER ZONE 3.  
0.76 MICRONS MIN GOLD PLATE OVER ZONE 1.  
1 MICRON MIN TIN PLATE OVER ZONE 2.
- 6 HOT-DIPPED PRETIN
- 7 1 - 3 MICRONS ELECTRO-TIN PLATE OVER ZONE 3
- 8 0.76 MICRONS MIN NICKEL PLATE OVER ZONE 3 PER QQ-N-290  
1.5 - 2.54 MICRONS SILVER PLATE OVER ZONE 3,
- 9 SERRATIONS CAN BE MULTILOCK OR TWO SLOTS
- 10. WIRE RANGE: 0.12-0.20 mm<sup>2</sup> (26-24 AWG)
- 11. INSULATION RANGE: 0.9-1.4 mm (.035-.055) DIA
- 12 SPECIAL REEL WITH 200 PCS FOR REEL-FED HANDTOOL
- 13 LUBRICATE



THIS DRAWING IS A CONTROLLED DOCUMENT.

DIMENSIONS: mm

TOLERANCES UNLESS OTHERWISE SPECIFIED:  
 0 PLC ±0.5  
 1 PLC ±0.25  
 2 PLC ±0.15  
 3 PLC ±0.15  
 4 PLC ±  
 ANGLES ±2  
 FINISH

MATERIAL SEE ABOVE.

| REELING | FINISH | SPRING MATERIAL | PIN BODY        | LOOSE PIECE | PART NUMBER |
|---------|--------|-----------------|-----------------|-------------|-------------|
| A       | 13     | 7               | STAINLESS STEEL | BRASS       | 1-163089-3  |
| A       | 1      | 7               | STAINLESS STEEL | BRASS       | 1-163089-1  |
| B       | 1      | 7               | STAINLESS STEEL | BRASS       | 1-163090-0  |
| A       | 7      | 7               | STAINLESS STEEL | BRASS       | 163090-1    |
| A       | 2      | 7               | STAINLESS STEEL | BRASS       | 163090-2    |
| B       | 7      | 7               | STAINLESS STEEL | BRASS       | 163089-1    |

|                  |              |          |                     |                                    |
|------------------|--------------|----------|---------------------|------------------------------------|
| DWN              | J.BRIGHT     | 26/03/12 | <br>TE Connectivity |                                    |
| CHK              | M.GREENER    | 26/03/12 |                     |                                    |
| APVD             | D.PENNINGTON | 26/03/12 |                     |                                    |
| PRODUCT SPEC     | -            | -        |                     |                                    |
| APPLICATION SPEC | -            | -        | NAME                | STRIP ASSY<br>PIN TYPE III CONTACT |
| WEIGHT           | -            | -        | SIZE                | A200779                            |
| CUSTOMER DRAWING | -            | -        | CAGE CODE           | 163089                             |
|                  |              |          | DRAWING NO          | 163089                             |
|                  |              |          | RESTRICTED TO       | -                                  |
|                  |              |          | SCALE               | NTS                                |
|                  |              |          | SHEET               | 1 OF 1                             |
|                  |              |          | REV                 | AA                                 |