

LTM8021

36V, 500mA Step-Down μModule Regulator

DESCRIPTION

Demonstration circuit 1238B features the LTM[®]8021, a 36V 500mA step-down μModule[®] regulator. The output has been preset to 5V by a single resistor within the LTM8021's output voltage range of 0.8V to 5V. An adjustable soft-start period may be implemented with the addition of a capacitor at C3. The input voltage range is from 7.5V to 36V for the default operating conditions. The LTM8021 may need more input voltage to start up than to run in steady state.

The data sheet gives a complete description of the part, operation and applications information. The LTM8021 data sheet must be read in conjunction with this demo manual prior to working on or modifying demo circuit DC1238B.

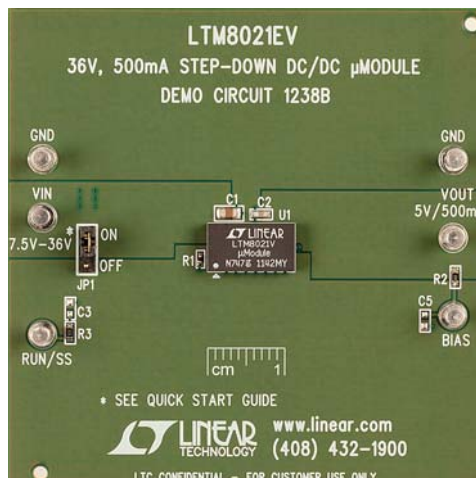
Design files for this circuit board are available at <http://www.linear.com/demo>

LT, LT, LTC, LTM, μModule, Linear Technology and the Linear logo are registered trademarks of Linear Technology Corporation. All other trademarks are the property of their respective owners.

PERFORMANCE SUMMARY (T_A = 25°C)

PARAMETER	CONDITIONS	VALUE
Input Voltage Range	V _{OUT} = 5V	7.5V to 36V
Output Voltage	V _{IN} = 12V, I _{LOAD} = 500mA, R1 = 19.1k	5V ±3%
Maximum Continuous Output Current		500mA
Switching Frequency		1.1MHz

BOARD PHOTO



QUICK START PROCEDURE

Demonstration circuit 1238 is an easy way to evaluate the performance of the LTM8021. Refer to figure 1 for proper measurement equipment setup and follow the procedure below:

NOTE. When measuring the input or output voltage ripple, care must be taken to avoid a long ground lead on the oscilloscope probe. Measure the input or output voltage ripple by touching the probe tip directly across the VIN or VOUT and GND terminals. See Figure 2 for proper scope probe technique.

1. Place JP1 on the ON position.
2. With power off, connect the input power supply to VIN and GND.

3. Turn on the power at the input.

NOTE. Make sure that the input voltage does not exceed the maximum rated input voltage of the LTM8021.

4. Check for the proper output voltage. $V_{OUT} = 5V \pm 3\%$

NOTE. If there is no output, temporarily disconnect the load to make sure that the load is not set too high.

5. Once the proper output voltage is established, adjust the load within the operating range and observe the output voltage regulation, ripple voltage, efficiency and other parameters.

QUICK START PROCEDURE

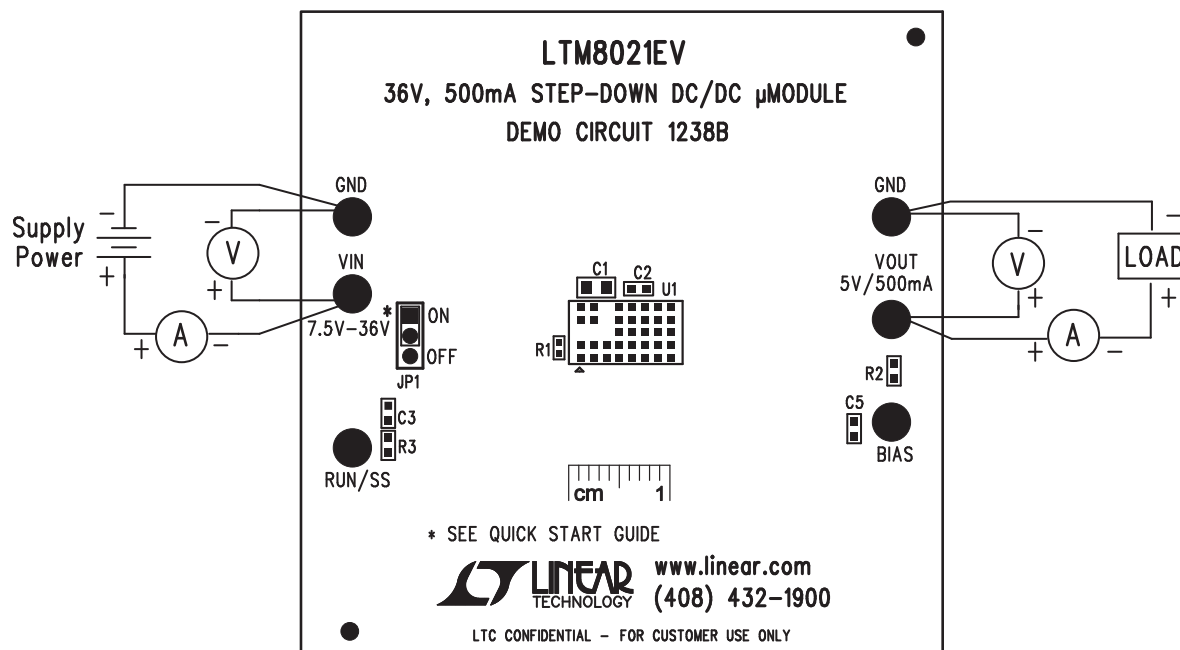


Figure 1. Proper Measurement Equipment Setup

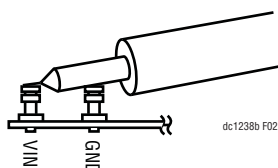


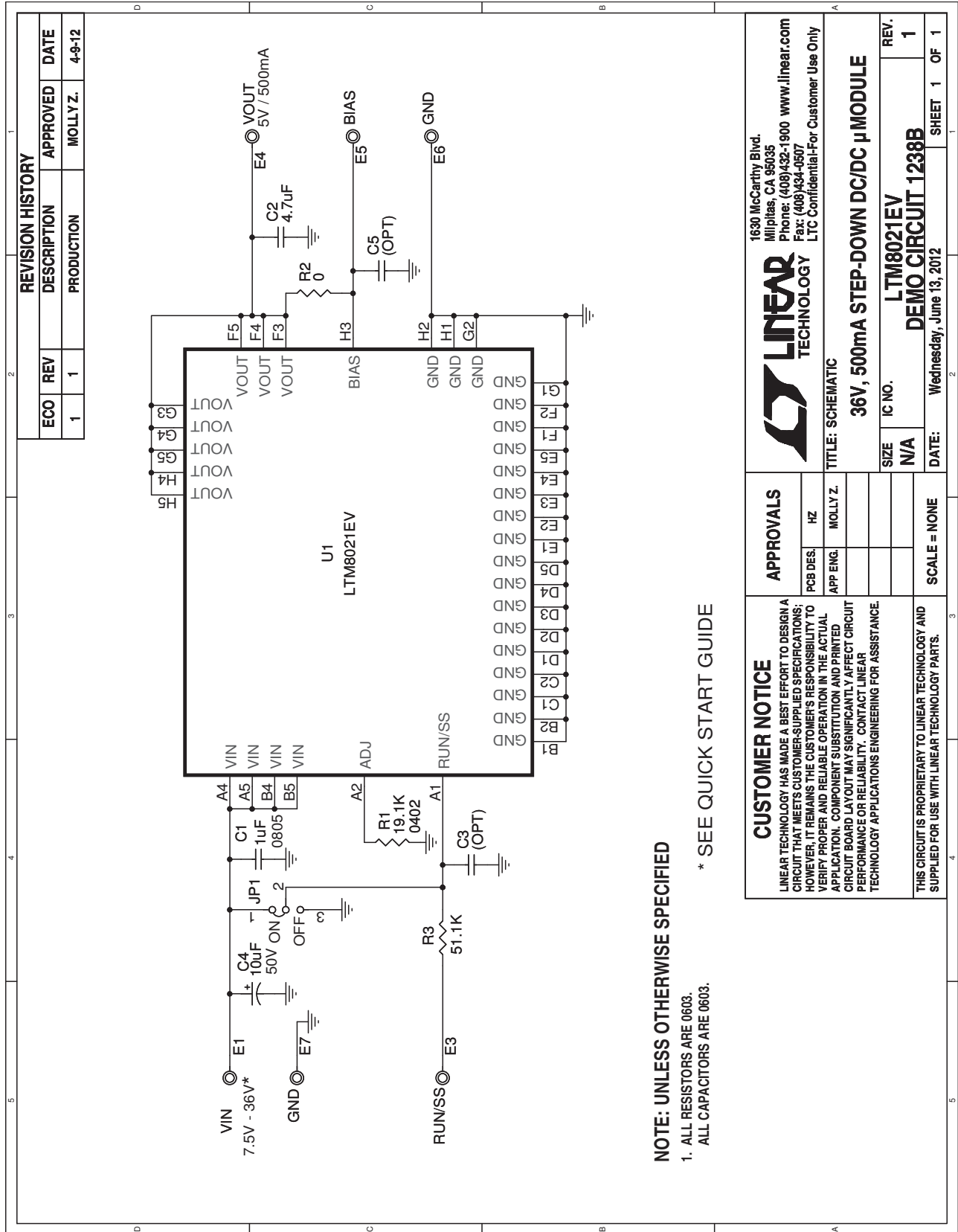
Figure 2. Measuring Input or Output Voltage Ripple

DEMO MANUAL DC1238B

PARTS LIST

ITEM	QTY	REFERENCE	PART DESCRIPTION	MANUFACTURER/PART NUMBER
Required Circuit Components				
1	1	C2	CAP., X5R, 4.7 μ F, 6.3V, 10%, 0603	AVX, 06036D475KAT2A
2	1	C1	CAP., X7R, 1 μ F, 50V, 10%, 0805	MURATA, GRM21BR71H105K
3	1	R1	RES., CHIP, 19.1k, 1/16W, 1% ,0402	VISHAY, CRCW040219K1FKED
4	1	R2	RES., CHIP, 0 Ω , 1/16W, 1% ,0603	VISHAY, CRCW06030000Z0ED
5	1	R3	RES., CHIP, 51.1k 1/16W, 1% ,0603	VISHAY, CRCW060351K1FKED
6	1	U1	I.C., LTM8021EV#PBF, LGA, 15 PIN	LINEAR TECH., LTM8021EV#PBF
Additional Demo Board Circuit Components				
1	1	C4	CAP., SMT, 10 μ F, 50V	SANYO, 50CE10BSS
2	0	C3, C5 (OPT)	CAP., 0603	
Hardware For Demo Board Only				
1	1	E1, E3-E7	TESTPOINT, TURRET, 0.095"	MILL-MAX, 2501-2-00-80-00-00-07-0
2	1	JP1	2MM SINGLE ROW HEADER, 3 PIN	SAMTEC, TMM-103-02-L-S

SCHEMATIC DIAGRAM



1630 McCarthy Blvd.
Milpitas, CA 95035
Phone: (408)432-1900 www.linear.com
Fax: (408)434-0507
LTC Confidential-For Customer Use Only

TITLE: SCHEMATIC

36V, 500mA STEP-DOWN DC/DC μMODULE

SIZE	IC NO.	REV.
N/A	LTM8021EV	1

DATE: Wednesday, June 13, 2012

SHEET 1 OF 1

CUSTOMER NOTICE

LINEAR TECHNOLOGY HAS MADE A BEST EFFORT TO DESIGN A CIRCUIT THAT MEETS CUSTOMER-SUPPLIED SPECIFICATIONS; HOWEVER, IT REMAINS THE CUSTOMER'S RESPONSIBILITY TO VERIFY PROPER AND RELIABLE OPERATION IN THE ACTUAL APPLICATION. COMPONENT SUBSTITUTION AND PRINTED CIRCUIT BOARD LAYOUT MAY SIGNIFICANTLY AFFECT CIRCUIT PERFORMANCE OR RELIABILITY. CONTACT LINEAR TECHNOLOGY APPLICATIONS ENGINEERING FOR ASSISTANCE.

THIS CIRCUIT IS PROPRIETARY TO LINEAR TECHNOLOGY AND SUPPLIED FOR USE WITH LINEAR TECHNOLOGY PARTS.

APPROVALS

PCB DES.	HZ
APP ENG.	MOLLY Z.

SCALE = NONE

DEMO MANUAL DC1238B

DEMONSTRATION BOARD IMPORTANT NOTICE

Linear Technology Corporation (LTC) provides the enclosed product(s) under the following **AS IS** conditions:

This demonstration board (DEMO BOARD) kit being sold or provided by Linear Technology is intended for use for **ENGINEERING DEVELOPMENT OR EVALUATION PURPOSES ONLY** and is not provided by LTC for commercial use. As such, the DEMO BOARD herein may not be complete in terms of required design-, marketing-, and/or manufacturing-related protective considerations, including but not limited to product safety measures typically found in finished commercial goods. As a prototype, this product does not fall within the scope of the European Union directive on electromagnetic compatibility and therefore may or may not meet the technical requirements of the directive, or other regulations.

If this evaluation kit does not meet the specifications recited in the DEMO BOARD manual the kit may be returned within 30 days from the date of delivery for a full refund. **THE FOREGOING WARRANTY IS THE EXCLUSIVE WARRANTY MADE BY THE SELLER TO BUYER AND IS IN LIEU OF ALL OTHER WARRANTIES, EXPRESSED, IMPLIED, OR STATUTORY, INCLUDING ANY WARRANTY OF MERCHANTABILITY OR FITNESS FOR ANY PARTICULAR PURPOSE. EXCEPT TO THE EXTENT OF THIS INDEMNITY, NEITHER PARTY SHALL BE LIABLE TO THE OTHER FOR ANY INDIRECT, SPECIAL, INCIDENTAL, OR CONSEQUENTIAL DAMAGES.**

The user assumes all responsibility and liability for proper and safe handling of the goods. Further, the user releases LTC from all claims arising from the handling or use of the goods. Due to the open construction of the product, it is the user's responsibility to take any and all appropriate precautions with regard to electrostatic discharge. Also be aware that the products herein may not be regulatory compliant or agency certified (FCC, UL, CE, etc.).

No License is granted under any patent right or other intellectual property whatsoever. **LTC assumes no liability for applications assistance, customer product design, software performance, or infringement of patents or any other intellectual property rights of any kind.**

LTC currently services a variety of customers for products around the world, and therefore this transaction **is not exclusive**.

Please read the DEMO BOARD manual prior to handling the product. Persons handling this product must have electronics training and observe good laboratory practice standards. **Common sense is encouraged.**

This notice contains important safety information about temperatures and voltages. For further safety concerns, please contact a LTC application engineer.

Mailing Address:

Linear Technology
1630 McCarthy Blvd.
Milpitas, CA 95035

Copyright © 2004, Linear Technology Corporation