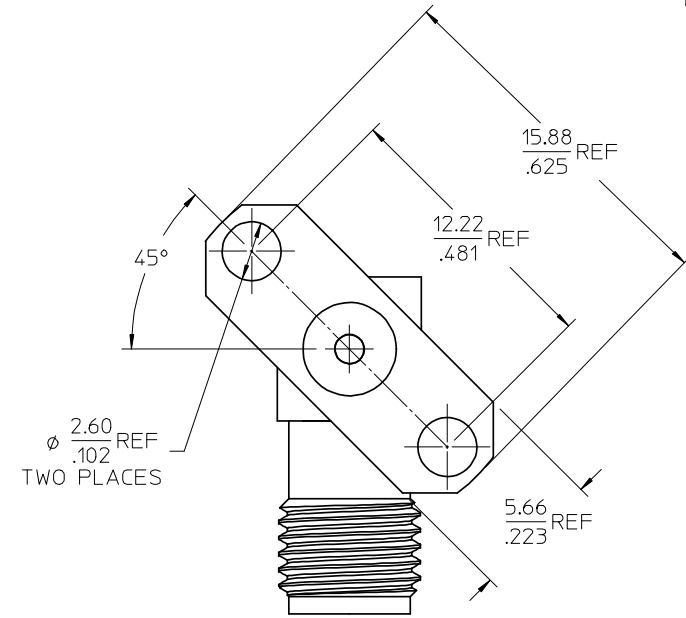
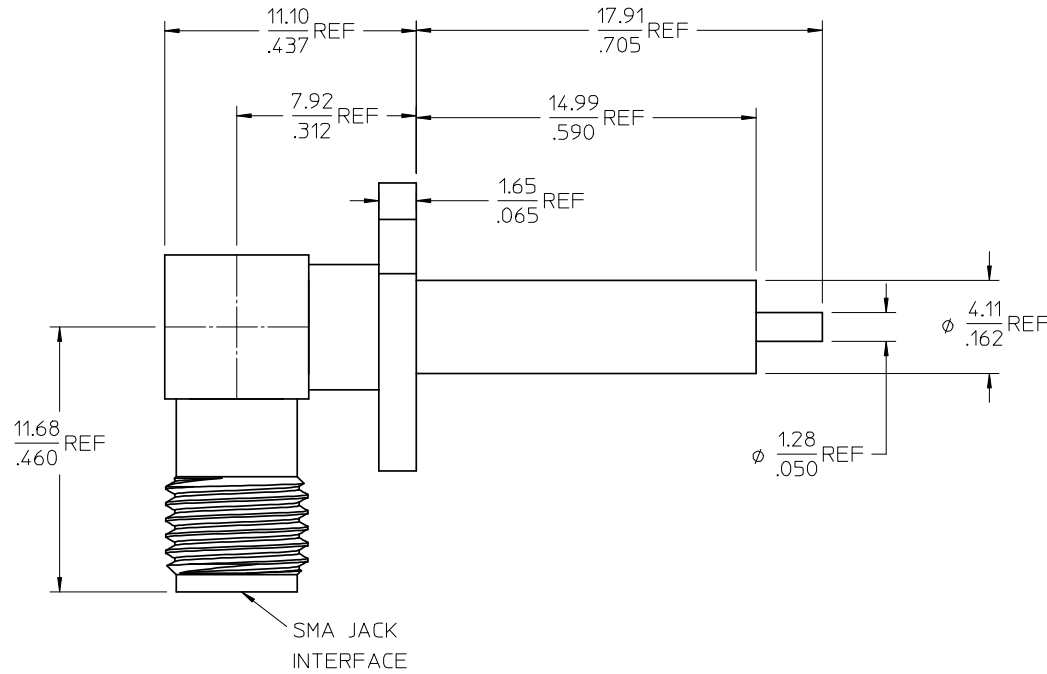
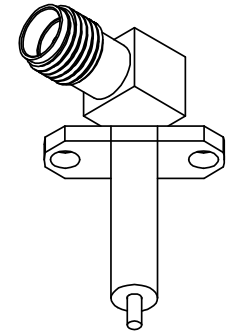


MATERIALS AND FINISHES

BODY: STAINLESS STEEL
PLATED GOLD

CENTER CONTACT BECU
PLATED GOLD

INSULATOR TEFLON



PART NUMBER 73251-1600

PS-89675-1680	ELECT/MECH SPEC
MIL-STD-348A FIG. 310-2	INTERFACE
SPECIFICATION	DESCRIPTION

CHG: CONVERT TO SD AND RELEASE EC NO: UR-2008-0378 DRWN: JWIENER 2008/01/24 CHKD: SSHAH 2008/01/24 APPR: JWIENER 2008/01/24	QUALITY SYMBOLS
	▼=0 ▽=0
	DESCRIPTION
	REV

GENERAL TOLERANCES (UNLESS SPECIFIED)																
	<table border="1"> <tr> <th></th> <th>mm</th> <th>INCH</th> </tr> <tr> <td>4 PLACES</td> <td>± .005</td> <td>± .0004</td> </tr> <tr> <td>3 PLACES</td> <td>± .005</td> <td>± .0004</td> </tr> <tr> <td>2 PLACES</td> <td>± 0.05</td> <td>± .002</td> </tr> <tr> <td>1 PLACE</td> <td>± 0.10</td> <td>± .004</td> </tr> </table>		mm	INCH	4 PLACES	± .005	± .0004	3 PLACES	± .005	± .0004	2 PLACES	± 0.05	± .002	1 PLACE	± 0.10	± .004
	mm	INCH														
4 PLACES	± .005	± .0004														
3 PLACES	± .005	± .0004														
2 PLACES	± 0.05	± .002														
1 PLACE	± 0.10	± .004														
ANGULAR ± 2°																
DRAFT WHERE APPLICABLE MUST REMAIN WITHIN DIMENSIONS																

DIMENSION STYLE	
MM/IN	
DRAWN BY	DATE
LMB	2000/12/08
CHECKED BY	DATE
SSS	2000/12/08
APPROVED BY	DATE
GMH	2000/12/08
MATERIAL NO.	
732511600	
SIZE	
C	

SCALE	DESIGN UNITS	THIRD ANGLE PROJECTION
	METRIC	
TITLE		
SMA JACK RECEPTACLE		
EXT DIELECTRIC 50 OHM		
SMA-JR EWR-1708		
MOLEX INCORPORATED		
MATERIAL NO.	DOCUMENT NO.	SHEET NO.
732511600	SD-73251-160	1 OF 1
THIS DRAWING CONTAINS INFORMATION THAT IS PROPRIETARY TO MOLEX INCORPORATED AND SHOULD NOT BE USED WITHOUT WRITTEN PERMISSION		