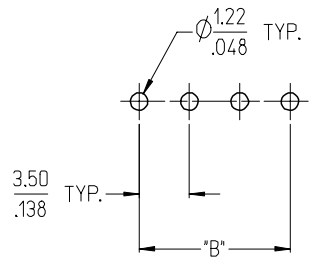


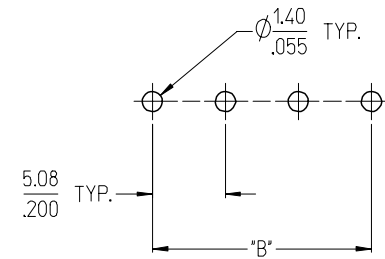
3950X SERIES
3.50mm HEADERS



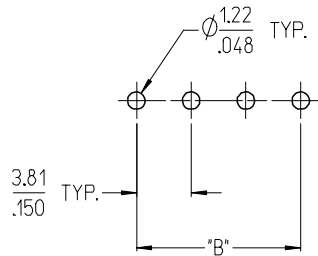
3952X & 3954X SERIES
5.00mm HEADERS
5.00mm 10 AMP FIXED



3953X SERIES
5.08mm HEADERS



3951X SERIES
3.81mm HEADERS



3954X SERIES
5.00mm 15 AMP FIXED



3954X SERIES
5.08mm 15 AMP FIXED



NOTES:

- REFER TO INDIVIDUAL PRODUCT SALES DRAWINGS FOR "B" DIMENSION.
- DOES NOT APPLY TO DUAL LEVEL HEADERS, SERIES 39528 AND 39538.
- TYP. = TYPICAL.

INITIAL RELEASE
EC NO: ETC2007-0096
DRWN: CLYORK 2006/10/02
CHKD: JMACNEIL 2006/10/04
APPR: JMACNEIL 2006/10/04

| REV | DESCRIPTION |
|-----|-------------|
| A | DESCRIPTION |

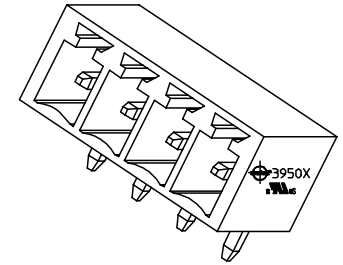
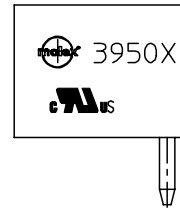
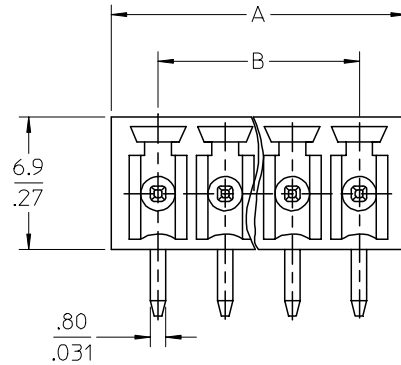
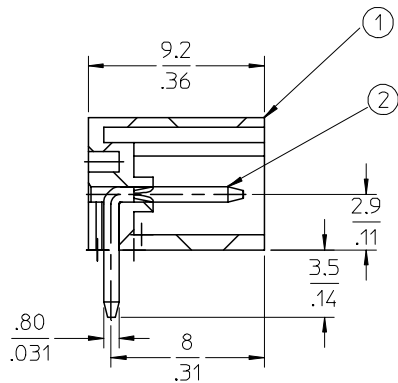
| QUALITY SYMBOLS | |
|-----------------|------|
| | =0 |
| | =0.1 |

| GENERAL TOLERANCES (UNLESS SPECIFIED) | | |
|---------------------------------------|--------|---------|
| | mm | INCH |
| 4 PLACES | ± .005 | ± .0005 |
| 3 PLACES | ± .005 | ± .0005 |
| 2 PLACES | ± 0.13 | ± .01 |
| 1 PLACE | ± 0.3 | ± .012 |
| ANGULAR ± 2 ° | | |

DRAFT WHERE APPLICABLE
MUST REMAIN WITHIN DIMENSIONS

| DIMENSION STYLE | |
|-----------------|------------|
| MM/IN | |
| DRAWN BY | DATE |
| C. YORK | 2006/08/25 |
| CHECKED BY | DATE |
| J. MACNEIL | 2006/08/25 |
| APPROVED BY | DATE |
| J. MACNEIL | 2006/08/25 |
| MATERIAL NO. | |
| -- | |

| SCALE | DESIGN UNITS | THIRD ANGLE PROJECTION |
|---|--------------|------------------------|
| 3:1 | INCH | |
| TITLE | | |
| RECOMMENDED PCB LAYOUT FOR ESE TERMINAL BLOCKS | | |
| APPROVED BY | | |
| J. MACNEIL | | |
| DATE | | |
| 2006/08/25 | | |
| DOCUMENT NO. | | SHEET NO. |
| SD-39501-002 | | 1 OF 1 |
| MATERIAL NO. | | |
| -- | | |
| SIZE | | |
| B | | |
| THIS DRAWING CONTAINS INFORMATION THAT IS PROPRIETARY TO MOLEX INCORPORATED AND SHOULD NOT BE USED WITHOUT WRITTEN PERMISSION | | |



SPECIFICATIONS:

1. Material:
 - (1). Body: PA66
 - (2). Terminal: Brass
2. Wire range: N/A
3. Electrical rating: 300V, 8A.
4. Max Torque: N/A.
5. Wire strip length: N/A.
6. Operating temperature: -40C to +105C.
7. $A = (N \times P) + 1.39MM$
8. $B = (N - 1) \times P$
9. P (PITCH) = 3.5MM (138").
10. N = Number of positions available 2 through 20.

| | | | | | | | | | |
|---|-------------------------------|---------------------------------------|------------|---|--------------|--------------|---|--|--|
| ENTER DESCRIPTION EC NO: NEO2006-0310 DRWN: LROTHAUS 2006/01/09 CHKD: CYORK 2006/01/09 APPR: JPAMLIK 2006/01/10 | QUALITY SYMBOLS = 0 = 0 | GENERAL TOLERANCES (UNLESS SPECIFIED) | | DIMENSION STYLE | SCALE | DESIGN UNITS | THIRD ANGLE PROJECTION | | |
| | | | | MM/IN | 4:1 | INCH | | | |
| | | 4 PLACES | ± --- | ± .0015 | DRAWN BY | DATE | TITLE | | |
| | | 3 PLACES | ± 0.038 | ± .005 | LROTHAUS | 12/06/05 | 3.5MM, EURO HEADER RIGHT ANGLE, CLOSED END | | |
| 2 PLACES | ± 0.13 | ± .01 | CHECKED BY | DATE | MATERIAL NO. | | | | |
| 1 PLACE | ± 0.3 | ± --- | C. YORK | 01/06/06 | DOCUMENT NO. | | | | |
| ANGULAR ± 2 ° | | APPROVED BY | | DATE | SD-39502-001 | | | | |
| DRAFT WHERE APPLICABLE MUST REMAIN WITHIN DIMENSIONS | | SEE CHART | | SHEET NO. | | 1 OF 1 | | | |
| | | SIZE | | THIS DRAWING CONTAINS INFORMATION THAT IS PROPRIETARY TO MOLEX INCORPORATED AND SHOULD NOT BE USED WITHOUT WRITTEN PERMISSION | | | | | |

10 9 8 7 6 5 4 3 2 1

| Description | Circuit size | Material Numbers | | | | | | | | | | | Dimensional Information | | | | |
|---------------------------------|--------------|------------------|-----------|-----------|------------------|-----------|-----------|------------------|-----------|-----------|------------------|-----------|-------------------------|-------|-------|-------|-------|
| | | Black | | | | | | Green | | | | | Dim. A | | Dim B | | |
| | | 100% Tin | | | 30 u" Gold | | | 100% Tin | | | 30 u" Gold | | | | | | |
| | | Printing Options | | | Printing Options | | | Printing Options | | | Printing Options | | | | | | |
| None | 10A | 11A | None | 10A | 11A | None | 10A | 11A | None | 10A | 11A | mm | inch | mm | inch | | |
| 3.5mm, Euro Header, Right Angle | 2 | 395021002 | 395021102 | 395021202 | 395021502 | 395021602 | 395021702 | 395026002 | 395026102 | 395026202 | 395026502 | 395026602 | 395026702 | 8.40 | 0.331 | 3.50 | 0.138 |
| 3.5mm, Euro Header, Right Angle | 3 | 395021003 | 395021103 | 395021203 | 395021503 | 395021603 | 395021703 | 395026003 | 395026103 | 395026203 | 395026503 | 395026603 | 395026703 | 11.90 | 0.469 | 7.00 | 0.276 |
| 3.5mm, Euro Header, Right Angle | 4 | 395021004 | 395021104 | 395021204 | 395021504 | 395021604 | 395021704 | 395026004 | 395026104 | 395026204 | 395026504 | 395026604 | 395026704 | 15.40 | 0.606 | 10.50 | 0.413 |
| 3.5mm, Euro Header, Right Angle | 5 | 395021005 | 395021105 | 395021205 | 395021505 | 395021605 | 395021705 | 395026005 | 395026105 | 395026205 | 395026505 | 395026605 | 395026705 | 18.90 | 0.744 | 14.00 | 0.551 |
| 3.5mm, Euro Header, Right Angle | 6 | 395021006 | 395021106 | 395021206 | 395021506 | 395021606 | 395021706 | 395026006 | 395026106 | 395026206 | 395026506 | 395026606 | 395026706 | 22.40 | 0.882 | 17.50 | 0.689 |
| 3.5mm, Euro Header, Right Angle | 7 | 395021007 | 395021107 | 395021207 | 395021507 | 395021607 | 395021707 | 395026007 | 395026107 | 395026207 | 395026507 | 395026607 | 395026707 | 25.90 | 1.020 | 21.00 | 0.827 |
| 3.5mm, Euro Header, Right Angle | 8 | 395021008 | 395021108 | 395021208 | 395021508 | 395021608 | 395021708 | 395026008 | 395026108 | 395026208 | 395026508 | 395026608 | 395026708 | 29.40 | 1.157 | 24.50 | 0.965 |
| 3.5mm, Euro Header, Right Angle | 9 | 395021009 | 395021109 | 395021209 | 395021509 | 395021609 | 395021709 | 395026009 | 395026109 | 395026209 | 395026509 | 395026609 | 395026709 | 32.90 | 1.295 | 28.00 | 1.102 |
| 3.5mm, Euro Header, Right Angle | 10 | 395021010 | 395021110 | 395021210 | 395021510 | 395021610 | 395021710 | 395026010 | 395026110 | 395026210 | 395026510 | 395026610 | 395026710 | 36.40 | 1.433 | 31.50 | 1.240 |
| 3.5mm, Euro Header, Right Angle | 11 | 395021011 | 395021111 | 395021211 | 395021511 | 395021611 | 395021711 | 395026011 | 395026111 | 395026211 | 395026511 | 395026611 | 395026711 | 39.90 | 1.571 | 35.00 | 1.378 |
| 3.5mm, Euro Header, Right Angle | 12 | 395021012 | 395021112 | 395021212 | 395021512 | 395021612 | 395021712 | 395026012 | 395026112 | 395026212 | 395026512 | 395026612 | 395026712 | 43.40 | 1.709 | 38.50 | 1.516 |
| 3.5mm, Euro Header, Right Angle | 13 | 395021013 | 395021113 | 395021213 | 395021513 | 395021613 | 395021713 | 395026013 | 395026113 | 395026213 | 395026513 | 395026613 | 395026713 | 46.90 | 1.846 | 42.00 | 1.654 |
| 3.5mm, Euro Header, Right Angle | 14 | 395021014 | 395021114 | 395021214 | 395021514 | 395021614 | 395021714 | 395026014 | 395026114 | 395026214 | 395026514 | 395026614 | 395026714 | 50.40 | 1.984 | 45.50 | 1.791 |
| 3.5mm, Euro Header, Right Angle | 15 | 395021015 | 395021115 | 395021215 | 395021515 | 395021615 | 395021715 | 395026015 | 395026115 | 395026215 | 395026515 | 395026615 | 395026715 | 53.90 | 2.122 | 49.00 | 1.929 |
| 3.5mm, Euro Header, Right Angle | 16 | 395021016 | 395021116 | 395021216 | 395021516 | 395021616 | 395021716 | 395026016 | 395026116 | 395026216 | 395026516 | 395026616 | 395026716 | 57.40 | 2.260 | 52.50 | 2.067 |
| 3.5mm, Euro Header, Right Angle | 17 | 395021017 | 395021117 | 395021217 | 395021517 | 395021617 | 395021717 | 395026017 | 395026117 | 395026217 | 395026517 | 395026617 | 395026717 | 60.90 | 2.398 | 56.00 | 2.205 |
| 3.5mm, Euro Header, Right Angle | 18 | 395021018 | 395021118 | 395021218 | 395021518 | 395021618 | 395021718 | 395026018 | 395026118 | 395026218 | 395026518 | 395026618 | 395026718 | 64.40 | 2.535 | 59.50 | 2.343 |
| 3.5mm, Euro Header, Right Angle | 19 | 395021019 | 395021119 | 395021219 | 395021519 | 395021619 | 395021719 | 395026019 | 395026119 | 395026219 | 395026519 | 395026619 | 395026719 | 67.90 | 2.673 | 63.00 | 2.480 |
| 3.5mm, Euro Header, Right Angle | 20 | 395021020 | 395021120 | 395021220 | 395021520 | 395021620 | 395021720 | 395026020 | 395026120 | 395026220 | 395026520 | 395026620 | 395026720 | 71.40 | 2.811 | 66.50 | 2.618 |

| | | | | | | | |
|---|----------------------|--|--|--|--|--|--|
| SEE SHEET 1 EC NO: NEC2006-0310 DRWNL: LROTHAUS 2006/01/09 CHKDC: CYORK 2006/01/09 APPR: J.P.A.M.L.C.K 2006/01/10 | DESCRIPTION REV A | QUALITY SYMBOLS ▽=0 ▽=0 | GENERAL TOLERANCES (UNLESS SPECIFIED) mm INCH 4 PLACES ± --- ±.0015 3 PLACES ±0.038 ±.005 2 PLACES ±0.13 ±.01 1 PLACE ±0.3 ± --- ANGULAR ± 2 ° | DIMENSION STYLE MM/IN DRAWN BY DATE LROTHAUS 12/6/05 CHECKED BY DATE C. YORK 01/06/06 APPROVED BY DATE | SCALE 4:1 DESIGN UNITS INCH THIRD ANGLE PROJECTION | TITLE 3.5MM, EURO HEADER RIGHT ANGLE, CLOSED END | |
| | | MATERIAL NO. SEE CHART | DOCUMENT NO. SD-39502-001 | SHEET NO. 2 OF 2 | | | |
| | | DRAFT WHERE APPLICABLE MUST REMAIN WITHIN DIMENSIONS | | | THIS DRAWING CONTAINS INFORMATION THAT IS PROPRIETARY TO MOLEX INCORPORATED AND SHOULD NOT BE USED WITHOUT WRITTEN PERMISSION | | |
| | | | | | MOLEX MOLEX INCORPORATED | | |

9 8 7 6 5 4 3 2 1