

**DESCRIPTION: M5 MALE - CABLE MOUNT - SOLDER CUP - 3 POSITION**

**NOTE:**

**MATERIAL**  
 HOUSING: TPU, BLACK  
 CONTACT: BRASS  
 NUT: BRASS

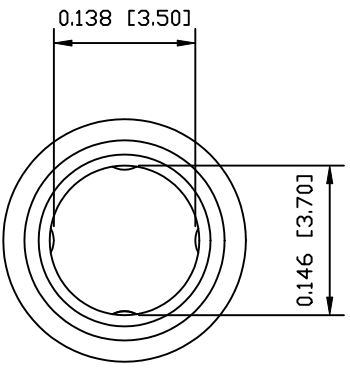
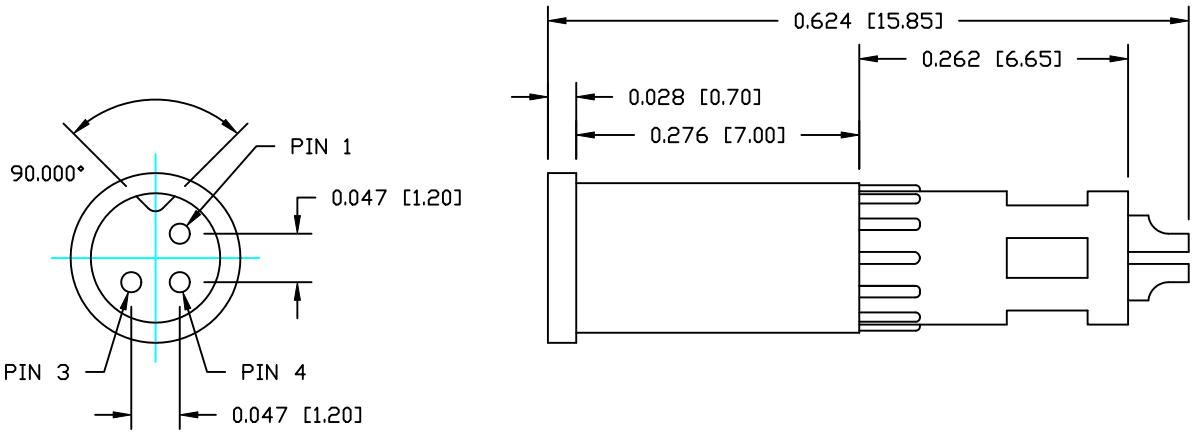
**FINISH**  
 CONTACT: GOLD PLATED  
 OVER 50µ" NICKEL  
 SATIN NICKEL

**ELECTRICAL**  
 NUT:  
 RATED CURRENT: 1A  
 RATED VOLTAGE: 60V  
 INSULATION RESISTANCE: 100 mOhms MIN.  
 CONTACT RESISTANCE: 10 MOhms MAX.  
 WATER PROOF: IP67

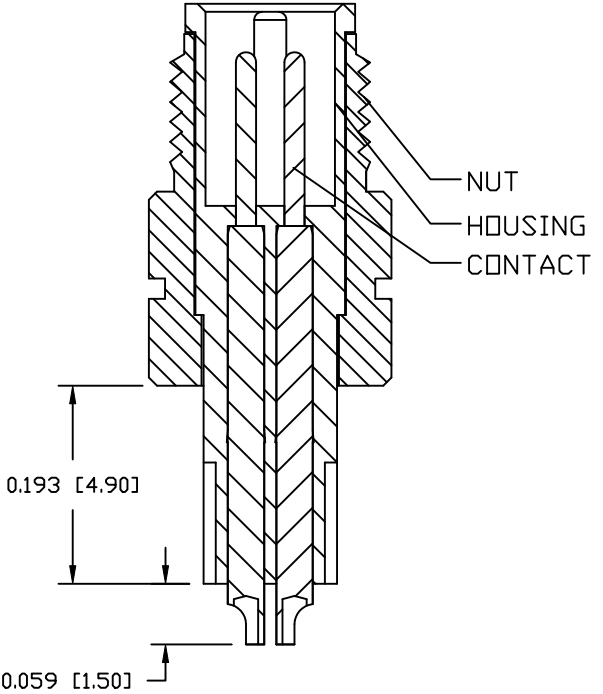
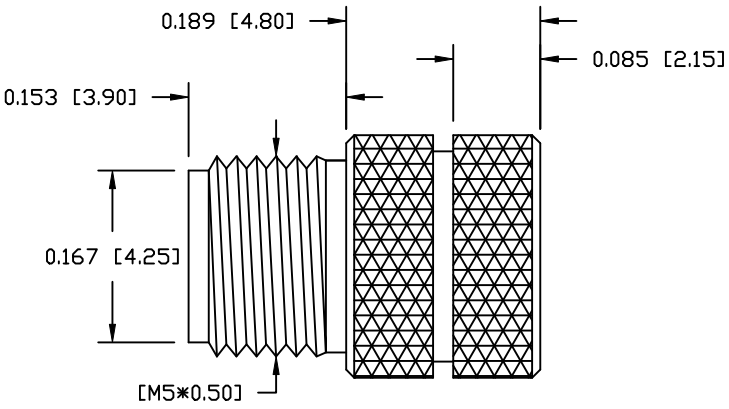
**ENVIRONMENT**  
 OPERATION TEMPERATURE: -40°C TO +85°C  
 WIRE GAUGE: 26-28 AWG

**850-003-103RLUY**

1 = GOLD FLASH  
 4 = 10µ" GOLD



NUT



**RoHS COMPLIANT**

**DO NOT SCALE FROM DRAWING**



THESE DRAWINGS AND SPECIFICATIONS ARE THE PROPERTY OF NorComp AND SHALL NOT BE REPRODUCED, COPIED OR USED AS THE BASIS FOR THE MANUFACTURE OR SALE OF APPARATUS WITHOUT WRITTEN PERMISSION.

**DRAWN:** M. SIGMON  
**DATE:** 03-04-16  
**CHECKED:**  
**DATE:**

**NorComp**

**SCALE:** NTS  
**SHEET** 1 **OF** 1  
**REV** 1  
**DWG NO.** 850-003-103RLUY