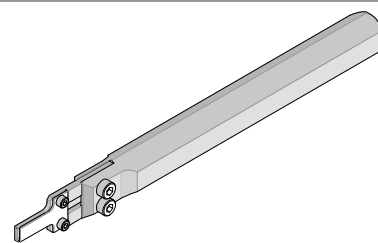


**Impel  
Backplane  
Ground Shield  
Insertion Tool**



**Application Tooling  
Specification Sheet**



**Order No. 62201-8940**

**FEATURES**

- The Impel Insertion Tool is used for replacing a damaged ground shield on the Molex Impel backplane header assemblies that is mounted onto a printed circuit board (PCB).
- Refer to Ats-622018930 to replace a damaged signal contact

**SCOPE**

Products: Impel Backplane Header Assemblies. See Product List below for specific part numbers

**Product List**

The following is a partial list of the product order numbers and their specifications that this tool is designed to be used with. Updates to this list are available on [www.molex.com](http://www.molex.com).

Series No.	Backplane Header Assembly Order No.							
171325	171325-1604	171325-1605						
171335	171335-1804	171335-1804						
171395	171395-1104	171395-1105	171395-1107	171395-1108	171395-1604	171395-1605	171395-1607	171395-1608
	171395-3104	171395-3105	171395-3107	171395-3108	171395-3114	171395-3115	171395-3117	171395-3118
	171395-3124	171395-3125	171395-3127	171395-3128	171395-3134	171395-3135	171395-3137	171395-3138
	171395-3144	171395-3145	171395-3147	171395-3148	171395-3154	171395-3155	171395-3157	171395-3158
	171395-3164	171395-3165	171395-3167	171395-3168	171395-3174	171395-3175	171395-3177	171395-3178
	171395-3184	171395-3185	171395-3187	171395-3188	171395-3604	171395-3605	171395-3607	171395-3608
	171395-3614	171395-3615	171395-3617	171395-3618	171395-3624	171395-3625	171395-3627	171395-3628
	171395-3634	171395-3635	171395-3637	171395-3638	171395-3644	171395-3645	171395-3647	171395-3648
	171395-3654	171395-3655	171395-3657	171395-3658	171395-3664	171395-3665	171395-3667	171395-3668
	171395-3674	171395-3675	171395-3677	171395-3678	171395-3684	171395-3685	171395-3687	171395-3688
	171395-5104	171395-5105	171395-5107	171395-5108	171395-5114	171395-5115	171395-5117	171395-5118
	171395-5124	171395-5125	171395-5127	171395-5128	171395-5134	171395-5135	171395-5137	171395-5138
	171395-5144	171395-5145	171395-5147	171395-5148	171395-5154	171395-5155	171395-5157	171395-5158
	171395-5164	171395-5165	171395-5167	171395-5168	171395-5174	171395-5175	171395-5177	171395-5178
	171395-5184	171395-5185	171395-5187	171395-5188	171395-5604	171395-5605	171395-5607	171395-5608
	171395-5614	171395-5615	171395-5617	171395-5618	171395-5624	171395-5625	171395-5627	171395-5628
	171395-5634	171395-5635	171395-5637	171395-5638	171395-5644	171395-5645	171395-5647	171395-5648
	171395-5654	171395-5655	171395-5657	171395-5658	171395-5664	171395-5665	171395-5667	171395-5668
171395-5674	171395-5675	171395-5677	171395-5678	171395-5684	171395-5685	171395-5687	171395-5688	

**OPERATION**

Inspect the ground shield and PCB. Make sure that the damaged ground shield has been completely removed.

## Ground Shield Replacement

1. Place the ground shield at the tip of the insertion tool and slide the shield so it rests underneath the terminal clamp.
2. The ground shield will be guided using the groove located on the insertion tool and should be pushed all the way underneath the ground shield clamp.
3. The ground shield is completely seated in the insertion tool when, the ground shield is resting against the insertion tool tip and can no longer be moved up. See Figure 1.
4. Make sure the ground shield is in the correct orientation. Check the column where the repair ground shield is being replaced and compare the column to the ground shield on the insertion tool. The two should be the same. The adjacent column is oriented in the same direction. See Figure 2.

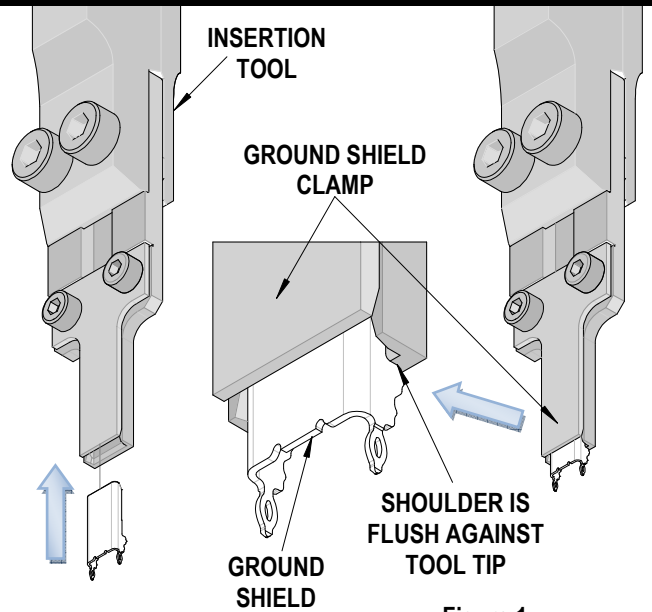


Figure 1

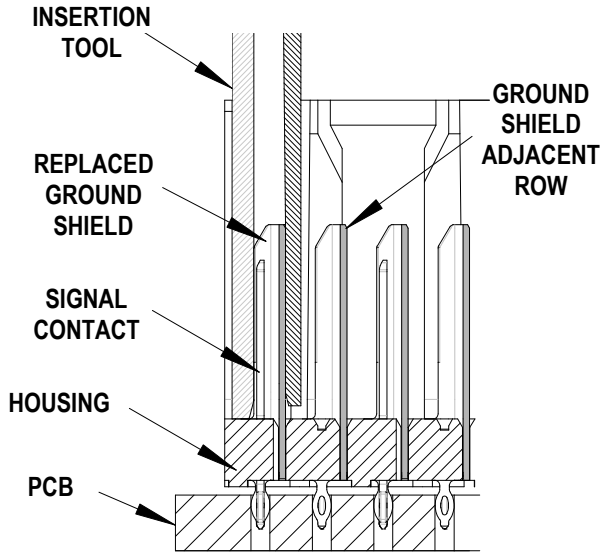


Figure 2

5. Line-up the pins tip on the ground shield, with the hole in the signal module and push the pin tip with the insertion tool through the housing and the PCB.
6. There is a clearance groove on the opposite side of the tool. When inserting the ground shield, make sure the tip of the tool is outside the (2) signal contacts at that location.
7. Continue pushing the ground shield until the insertion tool and the ground shield shoulder are seated securely to the inside housing surface. See Figure 3.
8. Pull the insertion tool straight up and remove. Check the final seating of the ground shield, the ground shield shoulder should be seated flush with inside surface on housing.

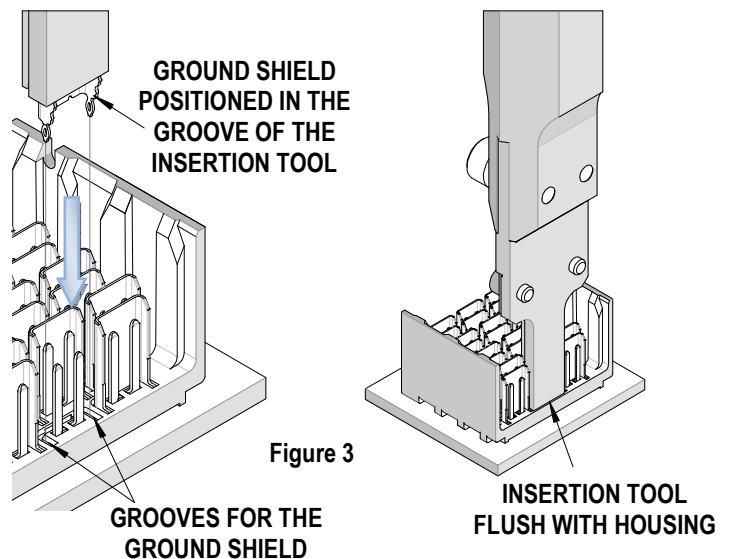


Figure 3

Molex does not offer repair parts for Insertion Tools due to the inexpensive nature of the tool.

**CAUTION:** To prevent injury, wear eye protection when using this tool.

**CAUTION:** Molex application tooling specifications are valid only when used with Molex connectors and tooling.

### Contact Information

For more information on Molex application tooling please contact Molex at 1-800-786-6539.

Visit our Web site at <http://www.molex.com>