

PRODUCT NUMBER

56600-YXXZLF

RoHS COMPATIBLE, SEE NOTE 5

PACKAGING OPTION, SEE NOTE 3

NUMBER OF POSITIONS, SEE SHEET 2

PLATING CODE

3= 0.76µm GOLD ON CONTACT AREA.

2m MIN MATTE TIN ON TAIL.

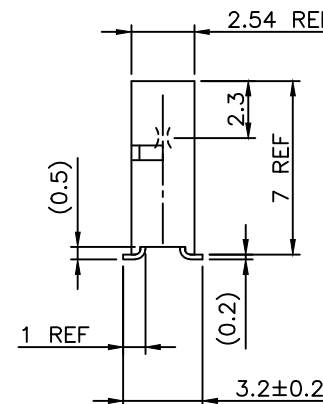
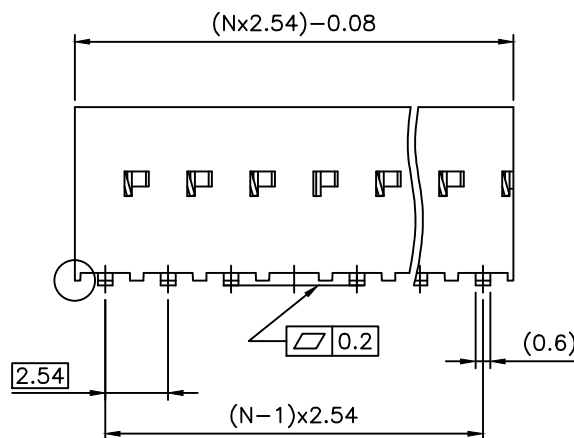
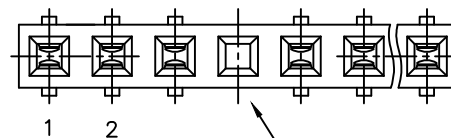
4= 2µm MIN MATTE TIN FULL PLATED

1.27µm Ni MIN UNDERPLATING

NOTES:

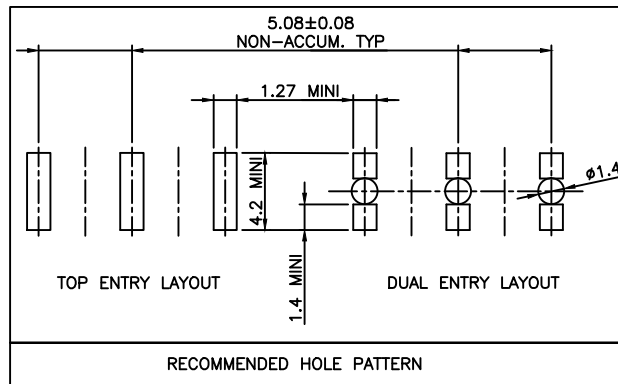
- 1 - HOUSING: THERMOPLASTIC GLASS FILLED  
FLAME RETARDANT PER UL 94 V-0 COLOR: GREY.
- 2 - TERMINAL MATERIAL: PHOSPHOR BRONZE.
- 3 - STANDARD PACKAGING IN TUBE.  
OPTIONNAL LETTER "A" FOR A TAPE & REEL  
PACKAGING WITH PICK UP CAP  
OPTIONNAL LETTER "K" FOR A TAPE & REEL  
PACKAGING WITHOUT PICK UP CAP
- 4 - RECOMMENDED IR PROFILE PER TA842.
- 5 - RoHS COMPATIBLE PRODUCT SPECIFICATIONS
  - a - PLATING:
    - "LF" MEANS THE PRODUCT IS LEAD-FREE,  
2µm MINIMUM MATTE TIN OVER 1.27µm  
MINIMUM NICKEL UNDERPLATE.
  - b - MANUFACTURING PROCESS COMPATIBILITY
    - THE HOUSING WILL WITHSTAND EXPOSURE TO  
260°C PEAK TEMPERATURE FOR 30 SECONDS  
MAX IN A CONVECTION, INFRA-RED OR VAPOR  
PHASE OR REFLOW OVEN.
  - c - LABELING:
    - MEETS PACKAGING SPECS AS PER GS-14-920
  - d - LEGAL STATEMENT: SEE GS-47-0004
- 6 - END STAND-OFFS FOR 2x2 UP TO 2X5 POS  
NO END STAND-OFFS FOR 2x6 UP TO 2x50 POS

VIEW A



mat'l. code		surface		tolerance		projection		product family	
SEE NOTES		ISO 1302		ISO 406 ISO 1101		mm		Dubox	
ltr	ecr no	dr	date	tolerances unless otherwise specified		mm		title	
H	B-17256	LMU	14.03.20	angles	linear	mm		BtB recept.SMT	
J	B-19123	LMU	14.10.20	±2°		scale 5:1		VCC SR SELECTIVE LOADED	
K	B-19931	LMU	15.01.08					dwg no	
L	F-24378	AMA	16.06.24	dr	D.LEGRAND	01.12.14	sheet 1 of 2		size
				engr	P.NIZZI	01.12.14	56600		A3
F	F11-0043	LMU	12.02.22	chr	D.LEGRAND	01.12.14	CUSTOMER		Drawing
G	F12-0043	LMU	12.06.07	appd	PNZ	01.12.14			
sheet	revision	L	C						
index	sheet	1	2						

PRODUCT NUMBER	NUMBER OF POS.	DIM"C"	DIM"D"	NB. OF TER.	CONTACT PLACED IN CAVITY																					
					1	2	3	4	5	6	7	8	9	10	11	12	13	14	15	16	17	18	19	20	21	22
56600-Y01LF	1 x 13	30.48	32.94	7	x		x		x		x		x		x											
56600-Y02LF	1 x 05	10.16	12.62	3	x		x		x																	
56600-Y03LF	1 x 09	10.16	12.62	7	x	x	x		x	x	x		x													
56600-Y04LF	1 x 22	53.34	55.80	20		x	x	x	x	x	x	x	x	x	x	x	x	x	x	x	x	x	x			
56600-Y05LF	1 x 03	5.08	7.54	2	x		x																			
56600-Y06LF	1 x 17	40.64	43.10	9	x		x		x		x		x		x		x		x		x		x			



mat'l. code		surface		tolerance		projection		product family	
SEE NOTES		ISO 1302 ✓		ISO 406 ISO 1101		mm		Dubox	
ltr	ecn no	dr	date	tolerances unless otherwise specified		mm		title	
A	F04-0347	DLE	04.11.09	angles	linear	±0.3		BtB recept.SMT	
B	F06-0204	DLE	06.06.19	±2°		scale 5:1		Vert SR selct. load	
C	F-24378	AMA	16.06.24					sheet 2 of - size	
		dr	D.LEGRAND	04.11.09		FCJ		56600 A3	
		enr	P.NIZZI	04.11.09				type CUSTOMER Drawing	
		chr	D.LEGRAND	04.11.09					
		appd	PNZ	04.11.09					
sheet index	revision sheet								