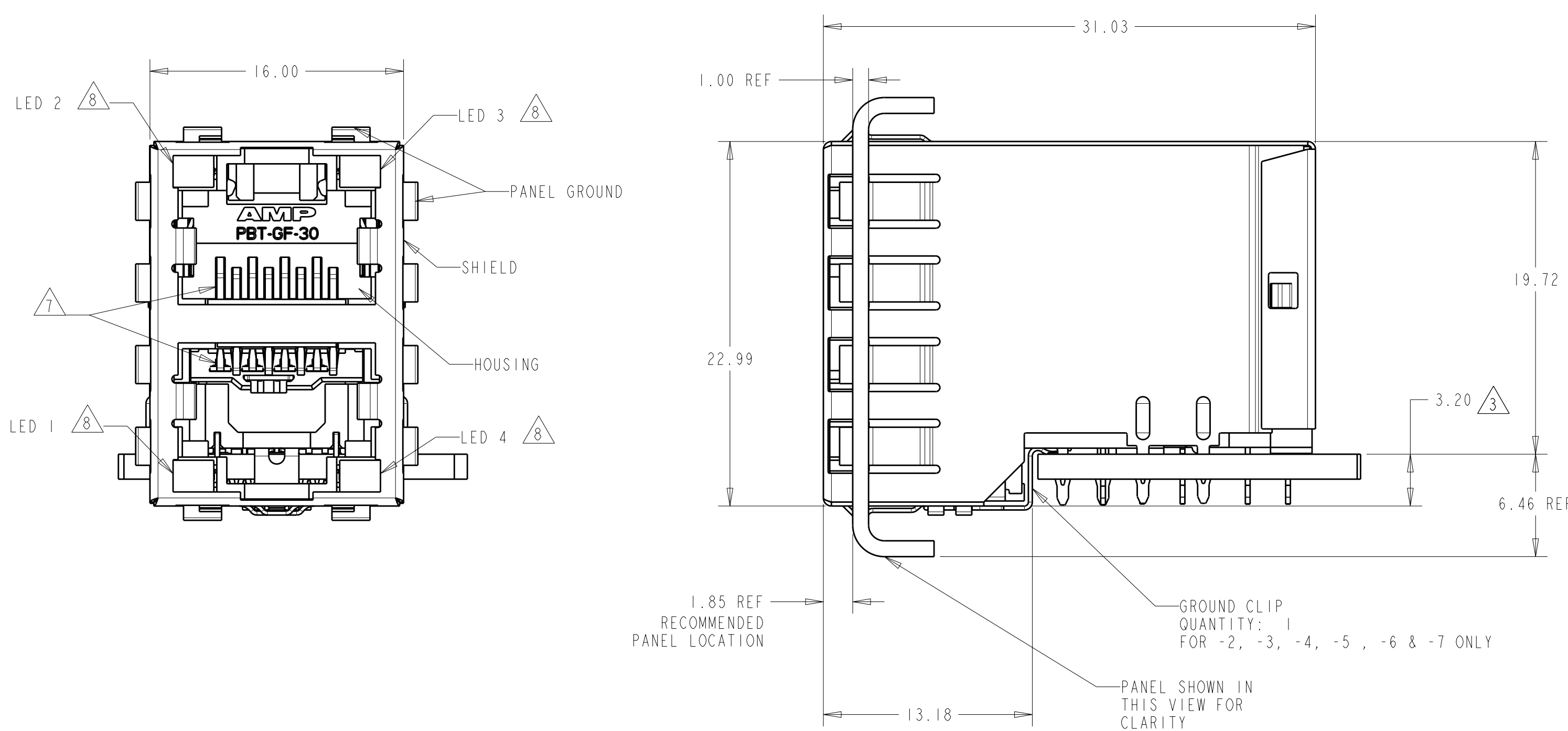
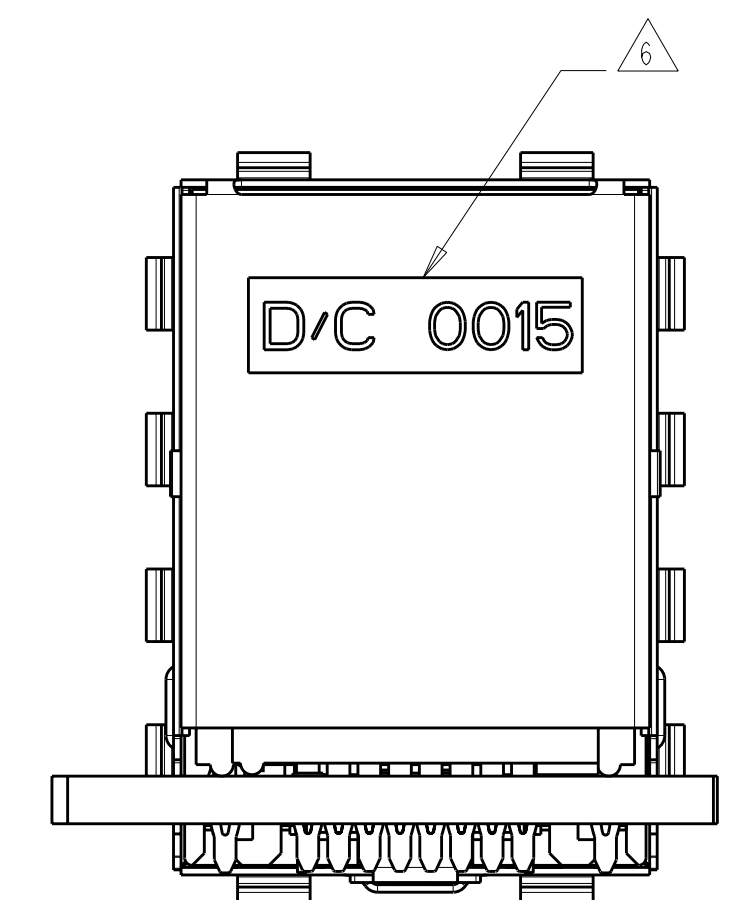


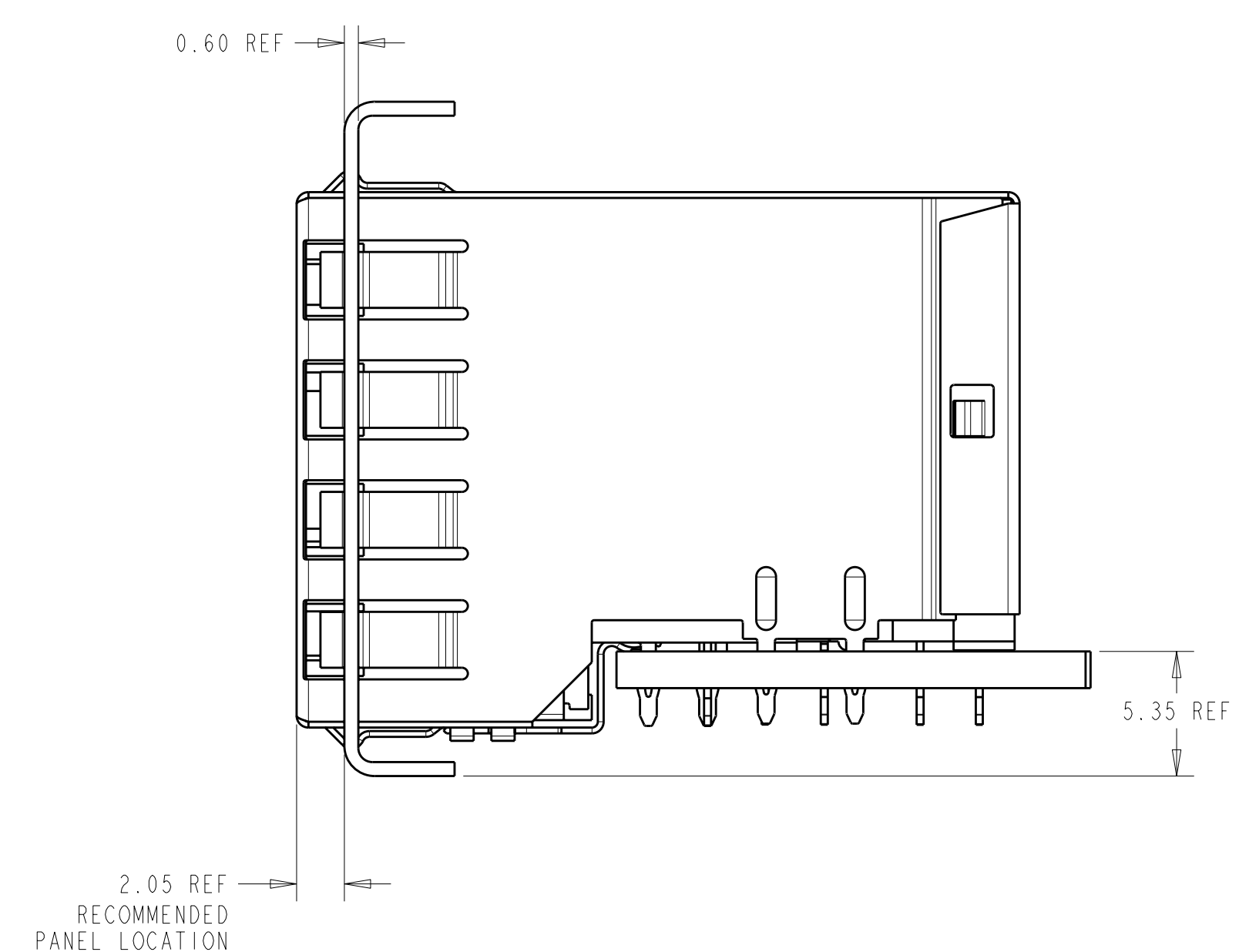
LOC	DIST	REV	DATE	BY	CHK	APPV
AA	00	E3	18MAR2011	RK	HMR	
		F	01SEP2011	JJ	MOW	



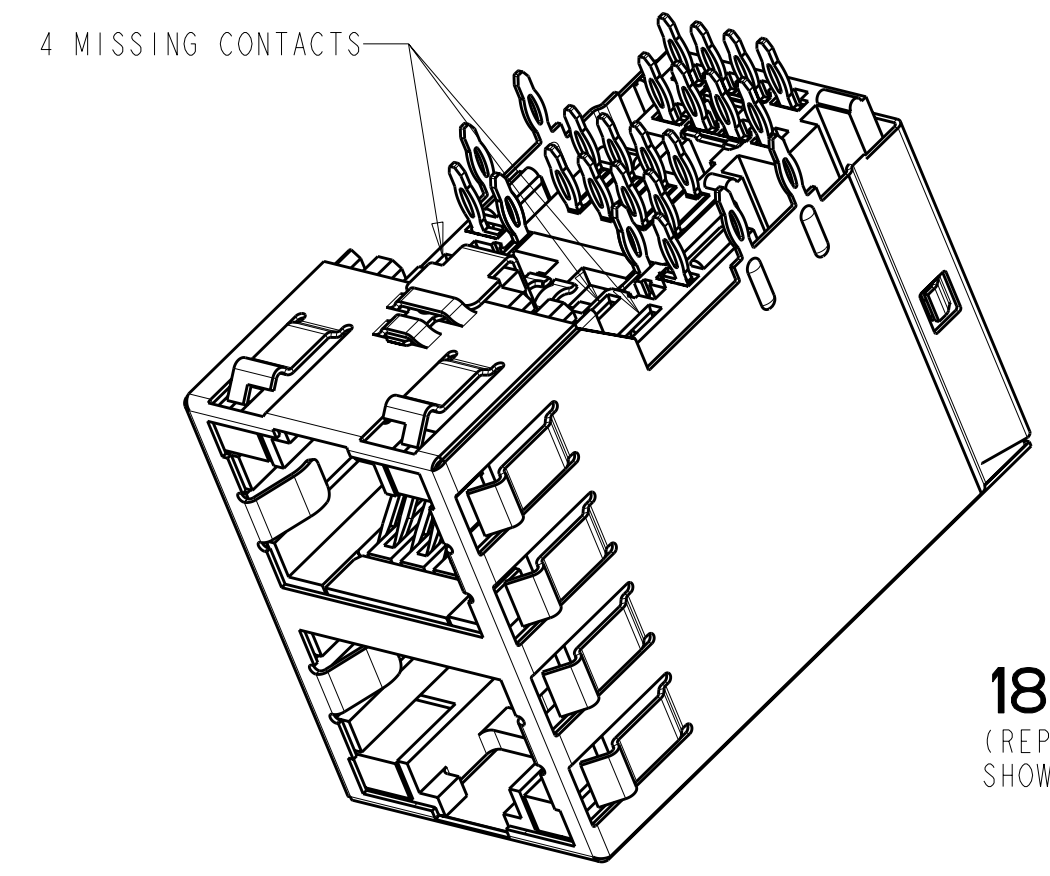
**ATCA PANEL AND PRINTED CIRCUIT BOARD ASSEMBLY LAYOUT**



- MATERIAL:
    - HOUSING:** POLYESTER, BLACK, UL 94V-0.
    - TERMINALS:** 0.33 THICK PHOSPHOR BRONZE PLATED WITH 1.27um MINIMUM THICK HARD GOLD IN LOCALIZED AREA AND 2.0um MINIMUM THICK MATTE TIN IN ACTION PIN COMPLIANT PIN TERMINAL AREA OVER 1.27um MINIMUM THICK NICKEL UNDERPLATE.
    - SHIELD:** 0.25 THICK COPPER ALLOY PLATED WITH 2.03um MINIMUM TIN OVER 1.27um MINIMUM NICKEL
    - GROUNDING CLIP:** 0.25 THICK COPPER ALLOY PRE-PLATED WITH 2.03um MINIMUM MATTE TIN OVER 1.27um MINIMUM NICKEL
    - LIGHT EMITTING DIODE (LED):** DIFFUSED EPOXY LENS, 12.95 CARBON STEEL WIREFRAME LEADS PREPLATED WITH 8.89um THK. TIN/COPPER OVER 2.03um THK. SILVER OVER 1.02um COPPER OVER 3.56um THK. NICKEL OVER 1.02um THK. COPPER UNDERPLATE.
    - LED ACTION PIN - COMPLIANT PIN CONTACTS:** 0.3 THICK BRASS PLATED WITH 2-4um BRIGHT TIN.
  - JACK CAVITY CONFORMS TO FCC RULES AND REGULATIONS, PART 68 SUBPART F.
- 3 MAXIMUM PIN LENGTH 3.40 FROM TOP SURFACE OF PC BOARD.
  - 4 FINISHED PLATED THRU HOLE DIAMETER - ANNULAR RING DIAMETER 1.3 TO 1.5
  - 5 DATUMS AND BASIC DIMENSIONS ESTABLISHED BY CUSTOMER
  - 6 DATE CODE LOCATED ON REAR OF PART APPROXIMATELY AS SHOWN
  - 7 CONTACTS ARE NOT INTENDED TO BE ALIGNED WITH EACH OTHER
  - 8 SUGGESTED OPERATING CURRENT FOR LEDS IS 20 mA
  - 9 PCB THROUGH HOLES FOR LED #1 AND LED #4 ARE NOT REQUIRED FOR 1888653-5,6



**AMC PANEL AND PRINTED CIRCUIT BOARD ASSEMBLY LAYOUT**



**1888653-5,-6**  
 (REPRESENTATION OF -5,-6 SHOWN IN THIS VIEW ONLY)

15.88	NONE	GREEN	YELLOW	NONE	WITH GROUND CLIP	1888653-9
15.88	YELLOW	GREEN	GREEN	GREEN	WITH GROUND CLIP	1888653-7
15.88	NONE	GREEN	GREEN	NONE	WITH GROUND CLIP	1888653-6
15.88	NONE	YELLOW	GREEN	NONE	WITH GROUND CLIP	1888653-5
15.88	YELLOW	YELLOW	GREEN	GREEN	WITH GROUND CLIP	1888653-4
15.88	GREEN	GREEN	YELLOW	YELLOW	WITH GROUND CLIP	1888653-3 (SHOWN)
15.88	GREEN	GREEN	GREEN	GREEN	WITH GROUND CLIP	1888653-2
16.13	GREEN	GREEN	GREEN	GREEN	WITHOUT GROUND CLIP	1888653-1
M DIM	LED #4 (LOWER-RIGHT)	LED #3 (UPPER-RIGHT)	LED #2 (UPPER-LEFT)	LED #1 (LOWER-LEFT)	DESCRIPTION	PART NUMBER

THIS DRAWING IS A CONTROLLED DOCUMENT.

DIMENSIONS:	TOLERANCES UNLESS OTHERWISE SPECIFIED:	DWN	L. A. MAYER	19OCT2006
mm	9 PLC ±	CHK	J. WESTMAN	19OCT2006
	1 PLC ±0.13	APPV	S. FLICKINGER	19OCT2006
	5 PLC ±	PRODUCT SPEC		
	4 PLC ±	APPLICATION SPEC		
	ANGLES ±	SIZE	114-2160	
MATERIAL	FINISH	WEIGHT		
SEE NOTE 1				

STE TE Connectivity

NAME: STACKED MOD JACK ASSEMBLY, 2 X 1, 8 POSN, RJ45, SHIELDED, PANEL GROUND, OFFSET, CAT 5

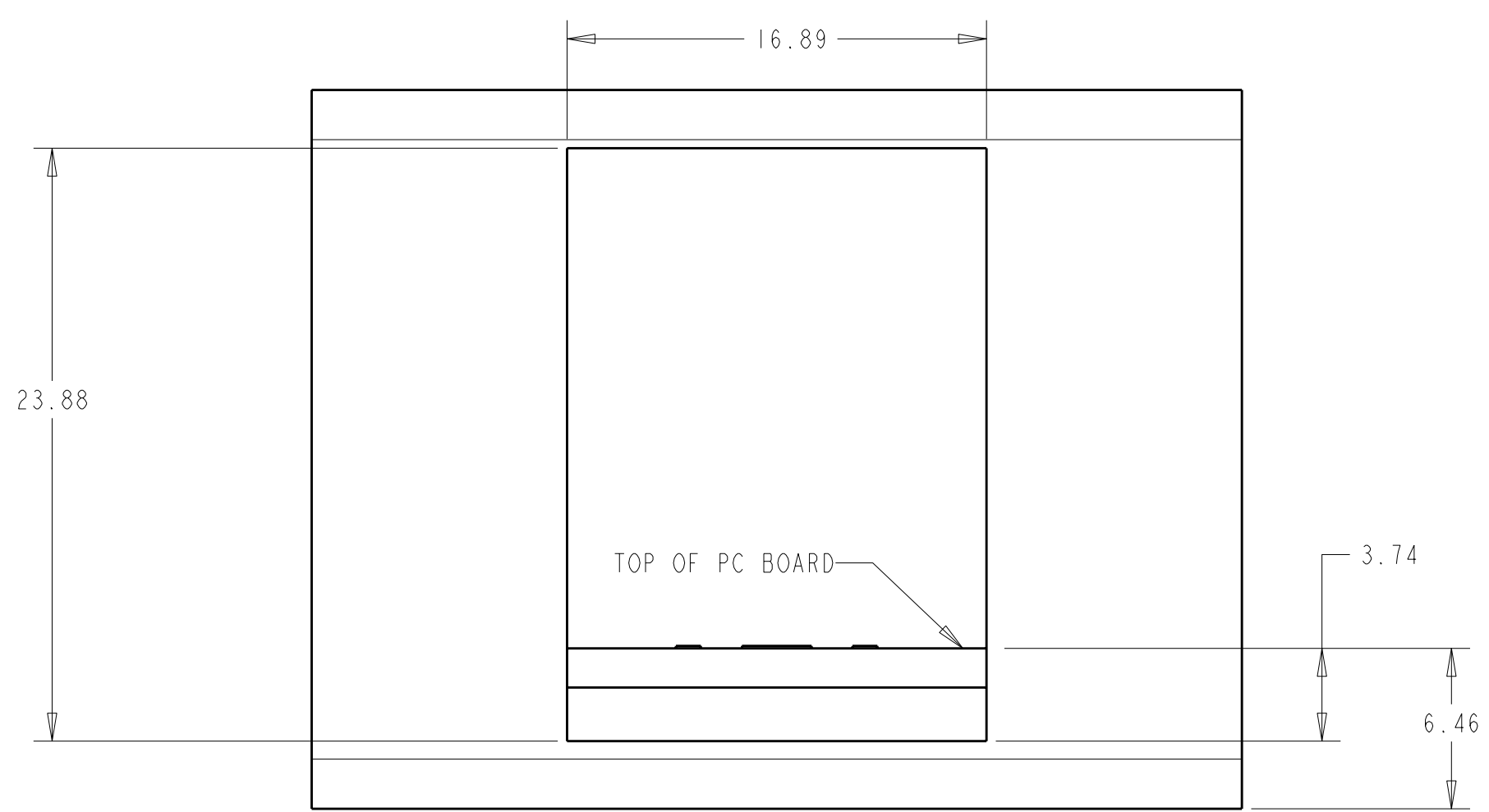
SIZE: A1 CAGE CODE: 00779 DRAWING NO: 1888653

SCALE: 3:1 SHEET 1 OF 2 REV F

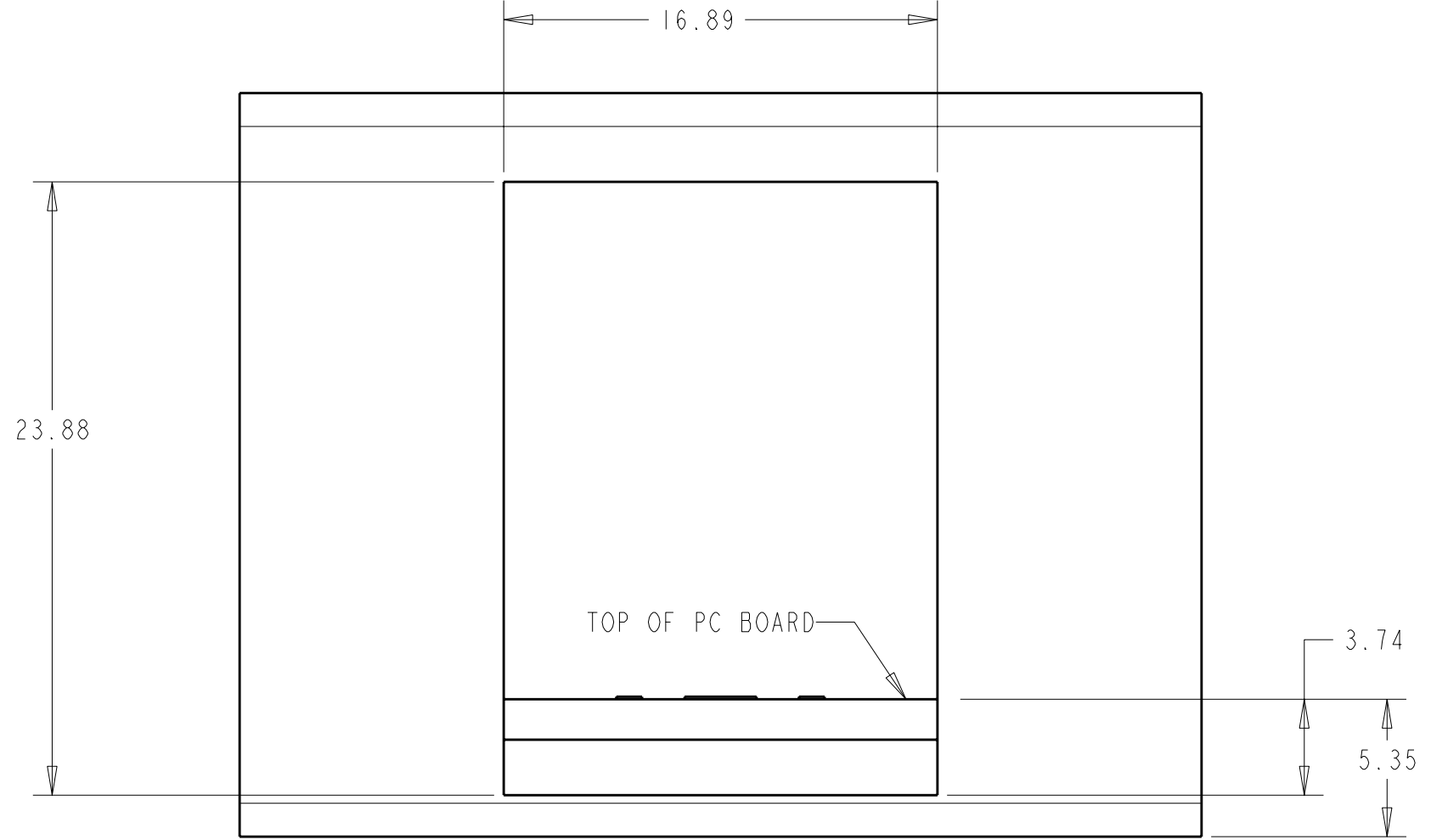
LOC	DIST	REV	DATE	BY	APPD
AA	00				

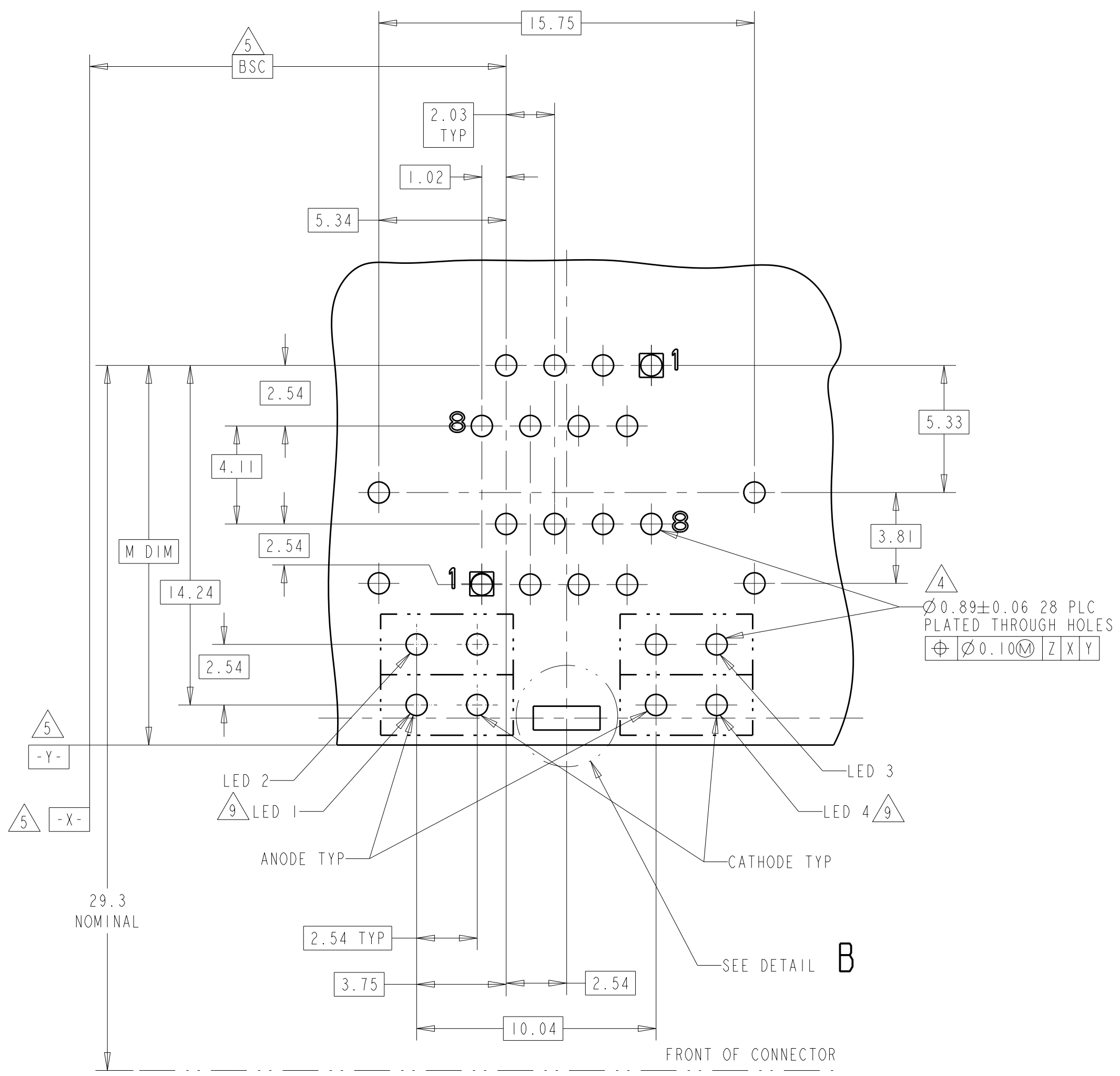
REVISIONS					
REV	DATE	BY	APPD	DESCRIPTION	DATE
-	-	-	-	SEE SHEET 1	-



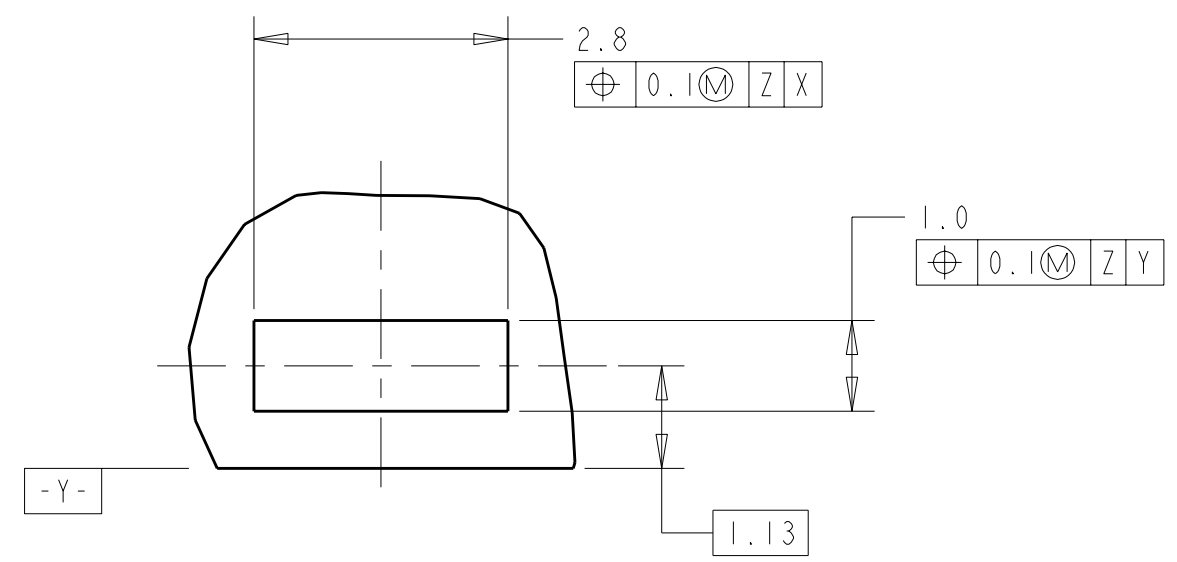
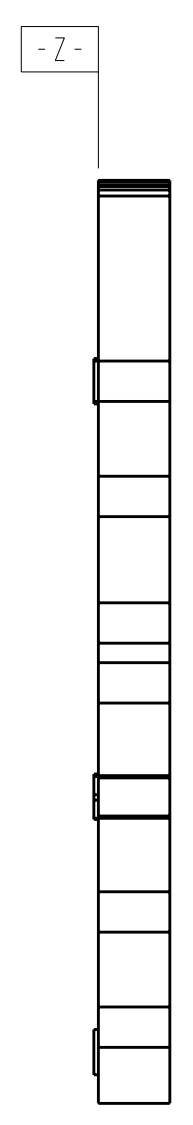
ATCA PANEL AND PRINTED CIRCUIT BOARD LAYOUT



AMC PANEL AND PRINTED CIRCUIT BOARD LAYOUT



PC BOARD LAYOUT (COMPONENT SIDE)



DETAIL B  
 SCALE 12:1  
 PLATED PADS REQUIRED FOR 1888653 -2, -3, -4, -5, -6 & -7 (PRODUCT WITH GROUNDING CLIPS)

THIS DRAWING IS A CONTROLLED DOCUMENT.		DWN L. A. MAYER 19OCT2006	TE Connectivity
DIMENSIONS: mm		CHK J. WESTMAN 19OCT2006	
TOLERANCES UNLESS OTHERWISE SPECIFIED:		APVD S. FLICKINGER 19OCT2006	NAME STACKED MOD JACK ASSEMBLY, 2 X 1, 8 POSN, RJ45, SHIELDED, PANEL GROUND, OFFSET, CAT 5
9 PLC ± 8 PLC ±0.13 5 PLC ± 4 PLC ± ANGLES ±1°		PRODUCT SPEC 108-1854	
MATERIAL SEE NOTE 1		APPLICATION SPEC 114-2160	RESTRICTED TO
		WEIGHT	SIZE CAGE CODE DRAWING NO. A1 00779 C=1888653
		CUSTOMER DRAWING	SCALE 3:1 SHEET 2 OF 2 REV E 5